

th▶contact



The data used in this Product Overview may be used as a guideline only. Specific operational characteristics of our products may vary according to individual applications. It is strongly recommended that specific operating conditions are clarified with Johnson Electric before application.

Johnson Electric Terms and Conditions of Sale apply.

All data may be subject to change without notice.

Table of Contents

Johnson Electric Group		2
Group		
Looking for a specialized panel mounted solution?		4
Table of typical applications & TH-Contact types		8
Terminology		9
Panel Mounted products		20
Push Button switches	TP2, TP5, TP4, TP8, TP9, TP7	
Emergency Stop switches	TE8	
Indicators	TI2, TI5, TI9	
Keystwitches	TK2, E1, M1, K2, P2, P5	
Rotary switches	TR2	
Push Button microswitches	QA4/PBA4, V3Q	
Joystick	700, J8	
Accessories		104
Table of preferred products		108
TH-Contact part number index		109

The Johnson Electric Group is one of the world's largest providers of motion actuators for automotive and industrial applications

Over the years, we have shipped billions of motors to more than thirty countries in over one hundred different motor applications. Johnson Electric has an annual production capacity of one billion motors.

to meet all of our commitments and to support our customers' success. Product reliability and assurance of supply are our commitment.

At the heart of Johnson Electric's success is our commitment to make our customers successful. Our customers include many of the world's leading industrial, consumer and automotive companies. We begin by understanding our customers' business needs, and the product application requirements of the end user of our customers' products. Then we design and deliver innovative motion solutions that help our customers to differentiate their products in the marketplace. Our goal is to be instrumental in the successful launch of our customers' products in their respective marketplaces.

Our Brand Promise

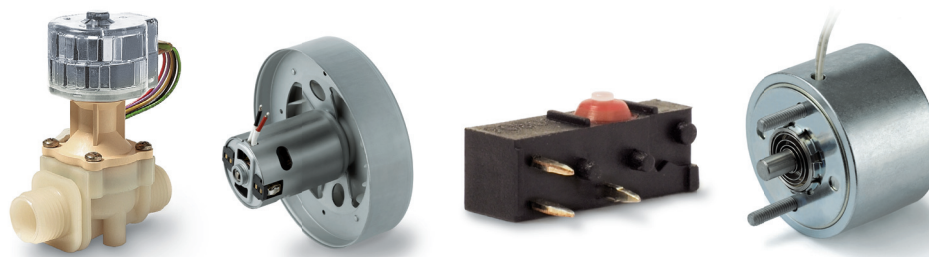
Johnson Electric is the most reliable partner

Johnson Electric is responsive and flexible; and has the financial stability and organizational integrity

Johnson Electric delivers competitive advantage

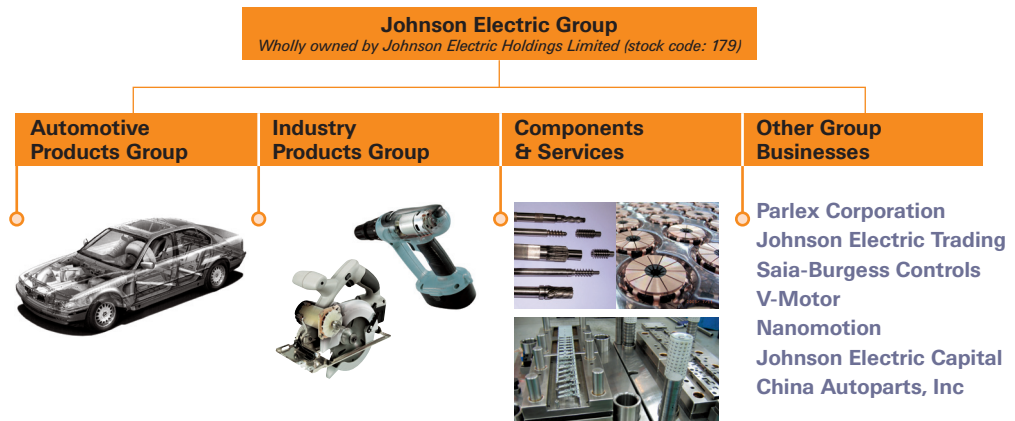
Johnson Electric delivers differentiation and innovation through its motion products – subsystems comprising of Stepper Motors, DC Motors, AC Motors, Piezo-electric Motors, Switches, Solenoids, Flexi Circuits, Motion Control, Precision Plastics and Precision Gears.

Our business growth hinges with leading "branded" goods producers to deliver differentiation and innovation through our motion products. The core platform for delivering these solutions is a highly developed production base and focused customer support teams throughout the world. This combines scale advantages in production and procurement with skilled and dedicated motion application experts.



HOW WE ARE ORGANIZED

Johnson Electric Holdings Limited is the parent company of the Johnson Electric Group and has been listed on the Stock Exchange of Hong Kong since 1984. The Group structure consists of a number of operating divisions and business units focused on their particular customer application or product segment



The Group's motion systems, motors and switches businesses are managed through two primary operating divisions: Automotive Products Group and Industry Products Group.

The Automotive Products Group, which consists of Johnson Electric's Automotive Motors Group and the Automotive Division of Saia-Burgess Electronics, is focused on providing customized motion solutions for major automotive application segments that include powertrain, body and chassis.

The Industry Products Group is comprised of business units that provide motion products and solutions for various commercial and industrial application sectors, including home appliances, power tools, business equipment, personal care products, medical equipment and healthcare, building automation and security, audio-visual and other industrial products.

Supporting these two operating divisions is the Group's Components & Services function which produces metal and plastic parts, tooling and production equipment for motor and motion related products. Johnson Electric is a highly vertically integrated business that manufactures an exceptionally wide range of components that form the basis for its final assembled end products. We make magnets, bearings, shafts, housings, laminations, commutators and die cast parts. We also build tools, assembly fixtures, plastic molds as well as armature winding and other production machines.

In addition to motion systems and motors, the Group also consists of a number of complementary manufacturing businesses and other subsidiary companies. These include an innovative provider of flexible printed circuits and interconnect solutions; a successful niche player in the programmable controls industry; and a rapidly growing specialty metals and trading services company.

Looking for a specialized switching solution?

Look no further.

In addition to the wide range of standard products shown in this catalog, we will be happy to work with you to meet your switching needs. If your application requires more than a standard product solution, please consider us early in your design process. Our product development team will be happy to discuss your specification, whether you need a special switch design or a complete value-added assembly.

The images shown give some examples of our capabilities.



TH-Contact is a leading brand for panel mounted switches

Flexibility is the key. Our switches give you customization from modular standard parts. If you need a more specific solution, just give us a call.

Your customer's first physical contact with your product is often through the switches you choose for the human machine interface. TH-Contact products are uncompromisingly high quality items, capable not only of meeting the switching demands of your application but also of ensuring high levels of perceived quality.

Flexibility through modularity

At the heart of the TH-Contact concept is modularity. The flexible contact systems allow pushbuttons, key and rotary switches using common platforms to be created, simplifying assembly and service requirements and providing a wide variety of circuit options.

Aesthetic integrity

All TH-Contact products are designed to complement each other. That's why our switches have matching indicator designs. Combined with a wide range of illumination and actuator options, this ensures that your panel gives a consistent image of quality to your customers – and TH-Contact products feel as good to operate as they look.

Security guaranteed

Many TH-Contact keyswitches offer Kaba locks for the ultimate in security – as specified by the Swiss banking industry. The vandal-resistant TP8 range guarantees that publicly accessible switches go on working, even in difficult environments.

Uncompromising reliability

With many UL, CSA and ENEC approvals, the performance of TH-Contact products is globally recognized. Piezo technology in the TP7 range offers an electrical life in excess of 15 million operations coupled with IP68 environmental protection for the ultimate in durability.

Minimum size

If space behind the panel is an issue for you, the TP2 and TP5 ranges manage to combine the legendary th-contact modularity with a considerably reduced product depth.

Common pushbutton applications

- Industrial machinery control panels
- Public vehicle access systems
- Ticket machines and parking meters
- Shutter control systems
- ATMs
- Car wash systems
- Vending machines

Typical Emergency Stop applications

- Alarm systems
- Portable control equipment
- Industrial process control equipment
- Material handling equipment

Typical keyswitch applications

- Security door systems
- Building automation – elevators & conveyors
- Hydraulic lifting equipment

Panel mounted switches for industrial control equipment

Machine and panel builders need a wide range of switch products which give them:

- many actuator styles to complement their designs
- flexibility of circuit configuration
- varied illumination options
- environmental protection as appropriate
- gold-plated contact options for low current switching
- compliance with UL, CSA and ENEC approvals
- reliability throughout the life of the product
- Emergency Stop capability



Panel mounted switches for transport and building infrastructure



Reliable operation in public environments demands:

- environmental protection to IP65, IP67 and IP68
- long, reliable product life
- vandal-resistant switches

Table of typical applications & TH-Contact types

In addition to the products shown in the Product Catalog pages, the Product Mapping table below shows a wide range of switch types for a selection of applications. Also, a TH-Contact switch may be customized to fulfill your specific requirements, please feel free to contact us.

Application & TH-Contact Series	TP2	TP5	TP4	TP8	TP9	TP7	TE8	T12	T15	T19	TK2	E1	M1	K2	P2	P5	TR2	QA4/PBA4	V3Q	700	J8	
Commercial Equipment	●	●	●	●		●	●	●		●	●	●		●	●		●	●	●	●		
Distribution	●	●	●	●	●	●	●	●	●	●	●	●	●	●	●	●	●	●	●	●	●	●
Home Appliances	●		●			●		●						●	●			●				
HVAC							●					●	●									
Industrial automation	●		●															●	●			
Industry general	●	●	●	●		●	●		●		●	●	●	●	●		●	●	●	●	●	
Medical	●	●					●				●	●	●					●	●		●	
Military											●											
Public transportation						●																
Safety and Security										●		●	●	●	●					●		
Specialist vehicles																			●	●	●	
Page	20	27	33	37	40	44	53	57	61	65	67	73	75	78	80	83	86	92	95	99	101	

Panel Mounted section – Terminology

Momentary switch – describes a single operation with a push to engage and an automatic release

Latching switch – describes an alternate action with a push to engage and a further push to release

Panel cut-out – the location point in the panel to mount the switch

Lens – the colored actuator

Contacts – the electrical switching element

NO – normally open contact which is open in the non actuated position and closes a circuit on actuation

NC – normally closed contact which is closed in the non actuated position and opens a circuit on actuation

Bi-functional selection – feature to describe all latching pushbutton switches in the TP2 and TP5 series incorporating a simple selector mechanism to re-terminate the function of the switch

Exposed bezel – where the pushbutton lens fits inside the switch bezel

Concealed bezel – where the pushbutton lens fits over the switch bezel

Flush housing – for mounting switches with the minimum protrusion above the panel surface

Raised housing – for mounting switches with the bezel prominent above the panel surface

Snap-in mounting – for mounting switches into a panel from the front without the need of access to the rear of the panel, or without the use locknuts

Enclosure types

Europe IEC specifications 144 & 529 define the degree of protection provided electrical enclosures to safeguard personnel against electric shock and equipment within the enclosure from environmental contamination such as entry of water. This is expressed by the letters IP followed by two numerals.

In the USA, NEMA and UL have established a rating system for enclosures which provides for different levels of protection. A direct comparison between IEC and NEMA is not possible but the following table gives an approximate guide.

Definition	Protection to IEC 144/855420	Protection to NEMA enclosure type	NEMA Definition
Protection against solid objects greater than 12 mm	IP 20	NEMA 1 (ventilated)	general purpose
Protection against solid objects greater than 2.5 mm	IP 30	NEMA 1	general purpose
Protection against solid objects greater than 12 mm and dripping water	IP 21	NEMA 2 (ventilated)	drip proof
Protection against solid objects greater than 2.5 mm and dripping water	IP 31	NEMA 2	drip proof
Protection against solid objects greater than 12 mm and dripping water	IP 24	NEMA 3R (ventilated)	rain proof, sleet (ice) resistant outdoor use
Protection against solid objects greater than 2.5 mm and dripping water	IP 34	NEMA 3R	rain proof, sleet (ice) resistant outdoor use
Protection against dust and splashing liquids	IP 54	–	–
Dusttight and protected against water jets	IP 65	NEMA 12	industrial use dusttight & driptight
Dusttight and protected against heavy seas	IP 66	NEMA 35	dusttight, driptight
Dusttight and protected against heavy seas	IP 66	NEMA 4	dusttight, watertight
		NEMA 4X	dusttight, watertight corrosion resistant
Dusttight and protected against water entry at one meter immersion	IP 67		
Dusttight and protected against heavy submersion	IP 68	NEMA 6	submersible watertight, dusttight sleet (ice) resistant indoor & outdoor
Protection against sleet (ice) not specified by IEC		NEMA 13	oiltight & dusttight

Technical information

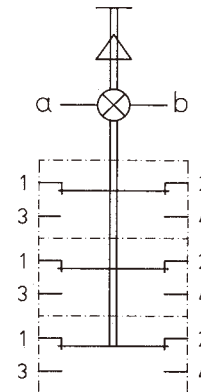
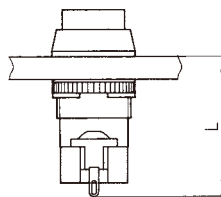
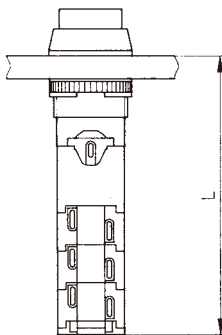
Actuator	TP4	TP5	TP2		
Switching mechanism	Heart-shaped switching labyrinth	Heart-shaped switching labyrinth with bi-functional mechanism (momentary or latching function)			
Actuating force	Approx. 2.5N (with one contact block)				
Fixation	Central with metal fixation nut				
Protective system	IP40, IP65		IP40, IP65, IP67		
Bezel material	Thermoplast or anodized aluminum alloy				
Lens material	Thermoplast (polycarbonate in different colors) engravable				
Illumination	T5.5 telephone lamps max. 60 V/1.2 W (incandescent lamps, LEDs, Multi-LEDs)	T 1 ³ / ₄ midget grooved lamps max. 60 V/1.2 W (incandescent lamps, LEDs, Multi-LEDs)	Lamp contact «b» = cathode (-)		
	Lamp contact «a» = cathode (-)				
	Please respect the safety regulations when using the indicator light				
Ambient temperature	-30° to +80° C Heat congestion should be avoided		-30° to +55° C		
Life expectancy mechanical	1'000'000 operating cycles				
Contact block 5 A	The contact block is factory fitted onto the switch Additional elements can be added by the user		Slide-on assembly by the user		
Contact block casing	Duroplast, self-extinguishing (UL 94 V0)				
Terminal material	Silver contact: silver alloy 2µm silver plated Gold contact: silver alloy 2µm silver plated and 0.4µm gold plated				
Contact resistance	Gold plated contact <30 mOhm, silver plated contact <50 mOhm				
Number of contacts	1NO + 1NC per contact block Max. 3 contact blocks per switch		By choice 1NO or 1NC or 1NO + 1NC or 2NO + 2NC per contact block. Max. 2 double contact blocks per switch		
Terminals	Patented, bendable solder terminals for braid wire 2 × 1 mm ² or strands 4 × 0.75 mm ²		Solder terminals for braid wire 1 × 1 mm ² or strands 2 × 0.75 mm ² . Faston terminals for faston plugs 2.8 × 0.5 mm		
DC load (resistive load)	5 A/12 V	4 A/24 V 0.5 A/125 V	3 A/36 V 0.3 A/250 V	2 A/48 V	1.5 A/60 V
DC load (inductive load L/R = 15 ms)	3 A/12 V	2 A/24 V 0.3 A/125 V	1.7 A/36 V 0.2 A/250 V	1.5 A/48 V	1.2 A/60 V
Switching capacity	5 A, 250 V AC (cos φ 0.7) max. admissible circuit breaker: type C 6 A				
Life expectancy electrical	70'000 operating cycles 5 A, 250 V AC (cos φ 0.7)				
Vibration	Amplitude 1.5 mm pp at 55 Hz				
Contact block Contact block	6 A 16 A			technical information on page 00	

Technical information

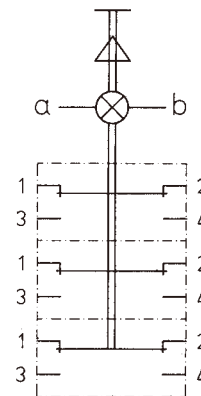
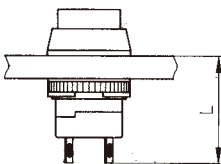
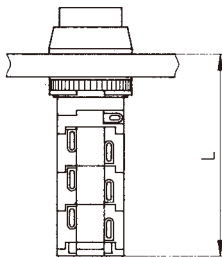
Tightening torques

Hexagonal metal nut	M12 × 0.75	max. 100 Ncm
Metal fixation nut	M16 × 1	max. 150 Ncm
Metal fixation nut	M22 × 1	max. 300 Ncm
Contact block screws for th4, th5		max. 13 Ncm
Pin screws	M2.5 for anti-rotation plates on th25 switch with plastic ring Ø 25 IP65	max. 30 Ncm
Pin screws	M3 for anti-rotation plates on th4, th25 key switches and rotary switches	max. 20 Ncm

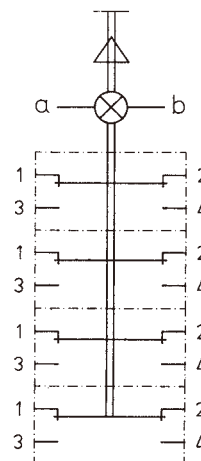
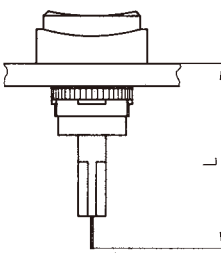
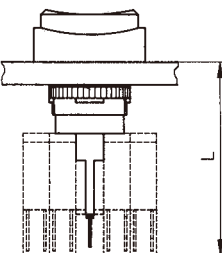
th4



th5

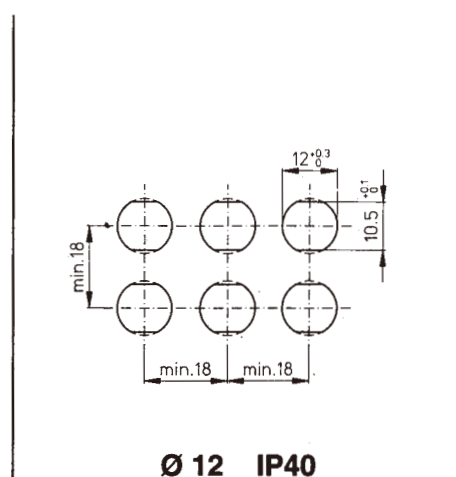
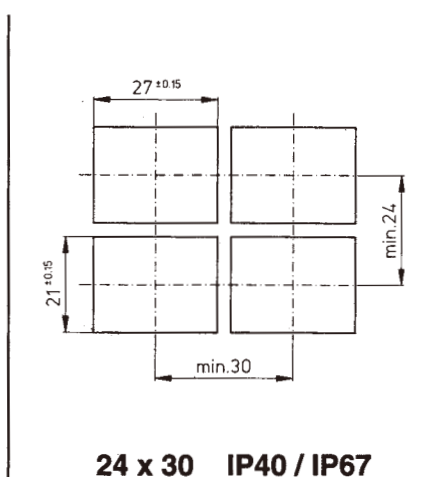
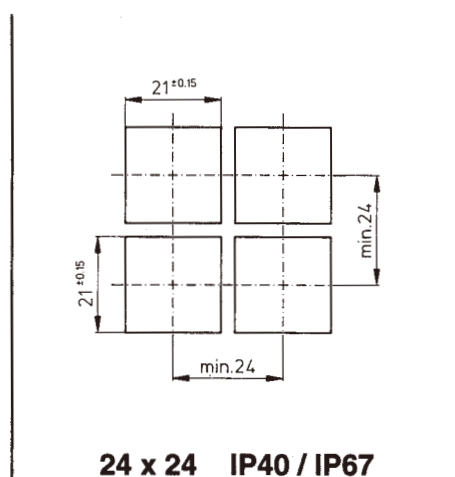
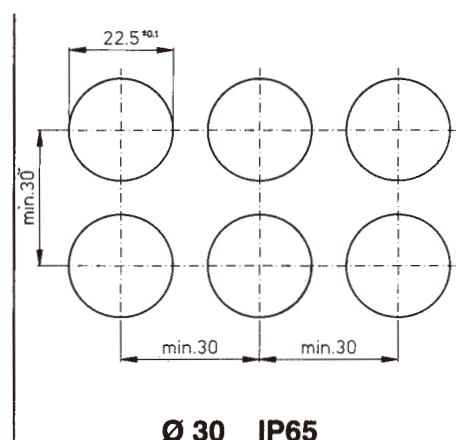
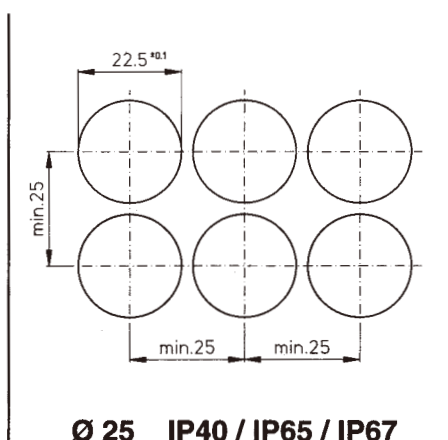
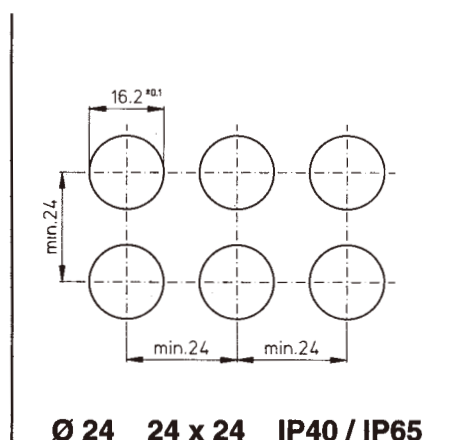
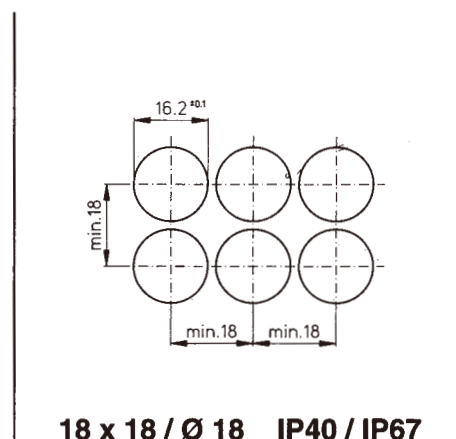
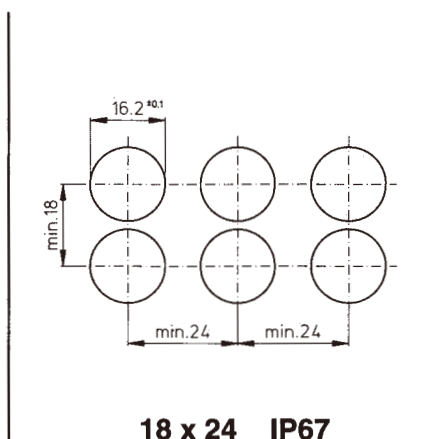
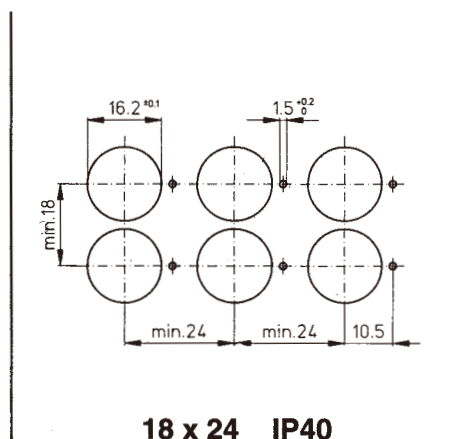


th25



Assembly instructions

When assembling contact blocks the minimum panel cut-outs must be adjusted to the dimensions shown on pages 20 and 21.

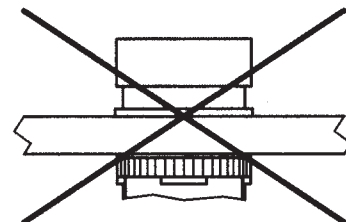
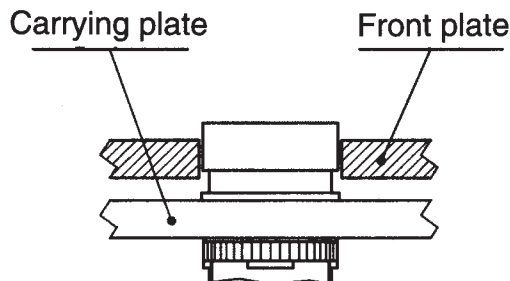


Caution: In interlocking assemblies the panel cut-out tolerances must not accumulate (max. tol. ± 0.1 mm).

Assembly instructions

Assembly instructions for switches with concealed plastic bezel for mimic diagrams

This bezel type has been designed especially for mimic diagrams (for example mosaic panels). Please respect by all means the assembly instructions on the respective catalog pages.

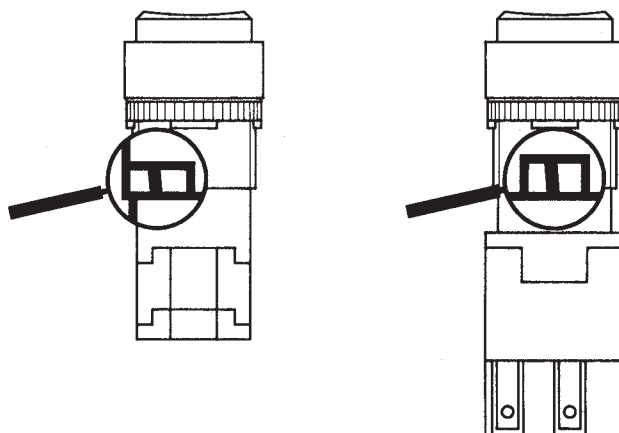


Bi-functional selection

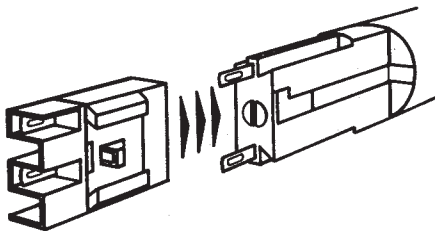
All the latching switches in the th5 and th25 series incorporate a simple selector mechanism for redetermining the function of the switch. These products are marked with a ☺. This mechanism is not supplied in the momentary switch nor in interlocking assemblies.

Application:

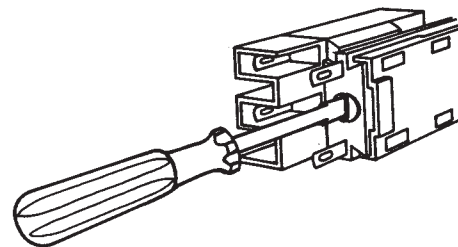
When the switch is in the "off" position, the selector mechanism in the small side opening on the basic element can be shifted to the right to obtain the momentary function (for example with an opened paper clip), or vice versa to return to the latching function.



Assembly of the contact blocks



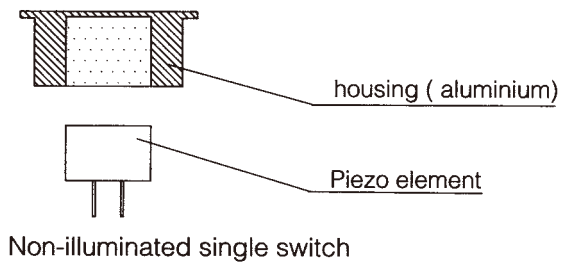
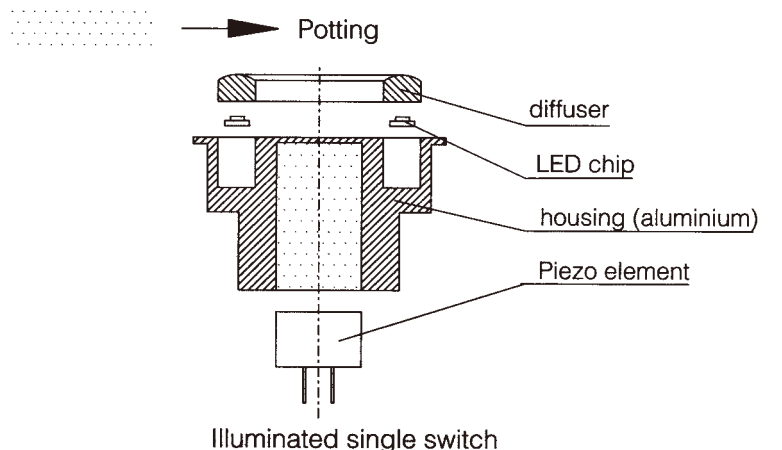
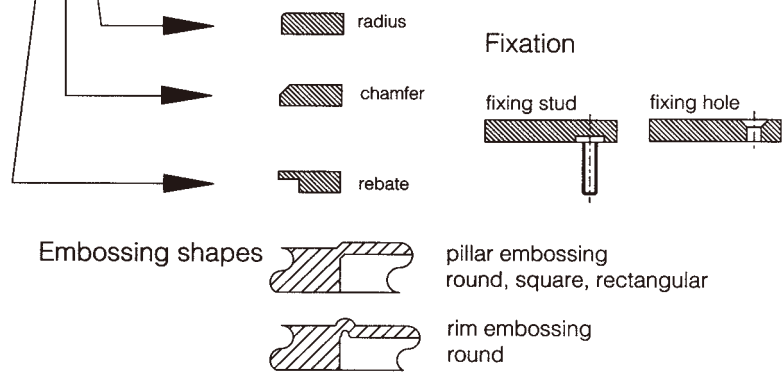
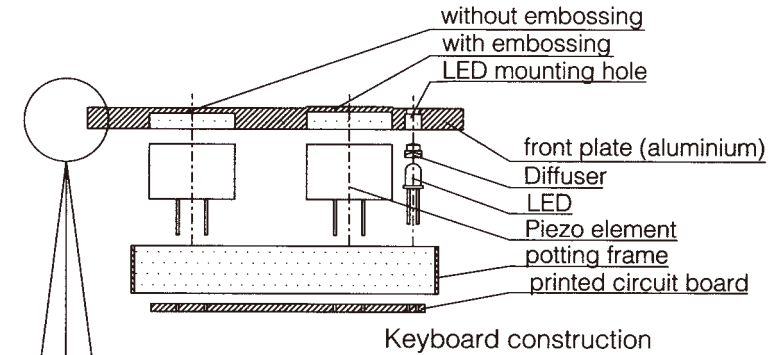
Turn the slot of the red locking pin parallel to the dovetail of the switch body and slide the contact block onto the dovetail.



When the switch is in «off» position the contact block must be pushed firmly into position and held there. Secure by turning the red locking pin a quarter turn in an clockwise direction with a suitable screwdriver.

Piezo Switches

Construction of our Piezo single switches and keyboards



Panel Mounted Products

Push Button



Type	TP2	TP5	TP4	TP8	TP9
Panel cut-out (mm)	Ø 16.2/22.5	Ø 16.2/22.5	Ø 16.2/22.5	Ø 22.5	Ø 16.2/22.5
Characteristics	<ul style="list-style-type: none"> momentary or latching sealed IP40, IP65 or IP67 wide range of bezels with or without illumination NO, NC, CO gold plated single or double pole contact blocks 	<ul style="list-style-type: none"> momentary or latching sealed IP40 or IP65 wide range of bezels shallow mounting depth with or without illumination NO, NC gold plated contact blocks 	<ul style="list-style-type: none"> mushroom momentary or latching sealed IP40 or IP65 wide range of bezels NO, NC gold plated contact blocks 	<ul style="list-style-type: none"> momentary sealed IP67 round metal bezels 1NO + 1 NC, 2 NC, 2 NO gold plated contact block 	<ul style="list-style-type: none"> momentary short stroke switch sealed IP65 or IP67 round metal bezels NO snap-in mounting option Ø 22.5 mm (IP65 only)
Rating	250 VAC, 5 A	250 VAC, 5 A	250 VAC, 5 A	230 VAC, 6 A	50 VAC/VDC, 50 mA
Dimensions (mm)	18 × 24 18 × 18 Ø 18 Ø 25	18 × 24 18 × 18 Ø 18 Ø 25	18 × 24 24 × 24 Ø 24 Ø 30	Ø 25	Ø 18 Ø 25
Actuator	lenses in different shapes and colors	lenses in different shapes and colors	mushroom cap in different shapes and colors	button and housing in different colors	button and housing in different colors
Approvals	UL, CSA, VDE	UL, CSA, VDE	UL, CSA, VDE	none	none
Page	20	27	33	37	40

Push Button

Emergency Stop

Indicators



Type	TP7	TE8	TI2	TI5	TI9
Panel cut-out (mm)	Ø 16.2/22.5/30.3/43.3	Ø 16.2/22.5	Ø 16.2/22.5	Ø 16.2/22.5	Ø 22.5
Characteristics	<ul style="list-style-type: none"> piezo technology momentary sealed IP68 with or without illumination, two colors solid state output NO 	<ul style="list-style-type: none"> meets EN418 directives (Ø 27 mm only) sealed IP66 or IP67 rotary pull or key reset yellow disk bezel (optional) 1NO + 1 NC or 2 NC 	<ul style="list-style-type: none"> illuminated sealed IP40, IP65 or IP67 wide range of bezels midget grooved lamp/LED 	<ul style="list-style-type: none"> illuminated sealed IP40, IP65 or IP67 wide range of bezels midget grooved lamp/LED 	<ul style="list-style-type: none"> illuminated sealed IP67 round metal bezels red LED green LED red-green LED
Rating	3 to 35 VAC/VDC, 200 mA	250 VAC, 6 A	max. 60 VAC/VDC	max. 60 VAC/VDC	24 VDC, 20 mA
Dimensions (mm)	Ø 18 Ø 25 Ø 36 Ø 48	Ø 27 Ø 40	18 × 24 18 × 18 Ø 18 Ø 25	18 × 24 18 × 18 Ø 18 Ø 25	Ø 25
Actuator	housing in different colors	red mushroom cap (Ø 27 mm only) reset by KABA key (Ø 40 mm only)	lenses in different shapes and colors	lenses in different shapes and colors	aluminum housing in different colors
Approvals	none	IEC 947-5-1/947-5-5 (Ø 27 mm only)	UL, CSA, VDE	UL, CSA, VDE	none
Page	44	53	57	61	65

Panel Mounted Products

Keyswitch



Type	TK2	E1	M1
Panel cut-out (mm)	Ø 16.2/22.5	Ø 15.1 × 15.1	Ø 15.1 × 15.1
Characteristics	<ul style="list-style-type: none"> 2 and 3 position sealed IP40 or IP65 plastic or aluminum bezels wide range of bezels NO, NC gold plated, single or double pole, contact blocks key trapping options 	<ul style="list-style-type: none"> tamper proof 2 positions key trapping options gold-plated contacts PCB terminals 	<ul style="list-style-type: none"> double pole change-over or three circuit selector switching functions key trapping option two body style options gold-plated contacts PCB terminals
Rating	250 VAC, 5 A	250 VAC, 100 mA	250 VAC, 100 mA
Dimensions (mm)	18 × 24 18 × 18 Ø 18 Ø 25	18 × 16	18 × 16 body style A 18 × 18 body style E
Actuator	key-KABA MICRO	plastic key	key (common or differs)
Approvals	UL, CSA, VDE	none	none
Page	67	73	75

Rotary

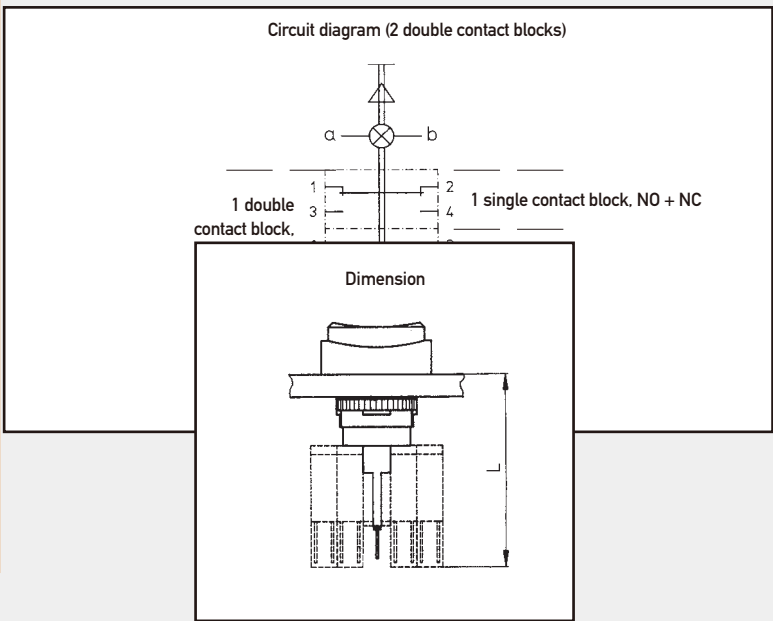


Type	K2	P2	P5	TR2
Panel cut-out (mm)	Ø 19.1	Ø 19.1	Ø 20.6	Ø 16.2/22.5
Characteristics	<ul style="list-style-type: none"> choice of off-on or change-over center off or spring return options key trapping option solder terminals 	<ul style="list-style-type: none"> up to 12 contact pairs 2 security options with key actuation from 2 to 4 switch positions key trapping option solder terminals 	<ul style="list-style-type: none"> high electrical rating key trapping option choice of off-on, change-over with spring return or change-over with separate circuits 	<ul style="list-style-type: none"> 2 and 3 position sealed IP40 or IP65 plastic or aluminum bezels NO, NC gold plated, single or double pole, contact blocks
Rating	up to 250 VAC, 2 A	250 VAC, 2 A	up to 125 VAC, 10 A up to 250 VAC, 5 A	250 VAC, 5 A
Dimensions (mm)	Ø 22	Ø 22	Ø 38.1 × 45.7 off-on Ø 38.1 × 58.4 change-over	18 × 24 18 × 18 Ø 18 Ø 25
Actuator	key (common or differs)	key (common or differs)	key (common or differs)	black knob, with white indicating bar
Approvals	UL and CSA	UL (optional)	UL and CSA	UL, CSA, VDE
Page	78	80	83	86

Panel Mount Products

	Long overtravel		Joystick	
Type	QA4/PBA4	V3Q	700	J8
Panel cut-out (mm)	Ø 6.1	Ø 12.7	Ø 22 × 20	Ø 22.5
Characteristics	<ul style="list-style-type: none"> ■ for use with V4N/V4NC series ■ long overtravel up to 5 mm ■ simple clip-on attachment ■ round or square bezels ■ push button options 	<ul style="list-style-type: none"> ■ long overtravel assemblies with single or double pole options ■ IP67, pre-wired option 	<ul style="list-style-type: none"> ■ single or double pole ■ choice of directional gating options ■ miniature or subminiature microswitch types 	<ul style="list-style-type: none"> ■ choice of directional gating options ■ choice of microswitch functions
Rating	250 VAC, 5 A	up to 250 VAC, 10 A	up to 15 A, 250 VAC, miniature microswitches up to 6 A, 250 VAC, subminiature microswitches	up to 16 A, 250 VAC up to 5 A, 250 VAC
Dimensions (mm)	20 × 6.45 × 38.3	36.5 × 33.6 × 17.3 single pole 36.5 × 33.6 × 26.2 double pole	55 × 55 × 57.2 miniature microswitches 41.3 × 41.3 × 57.2 subminiature microswitches	up to 74.5 × 74.5 × 105 up to Ø 60 × 60 × 103.5
Actuator	<ul style="list-style-type: none"> ■ stainless steel plunger ■ polyamide (PA 6.6) plunger 	<ul style="list-style-type: none"> ■ plunger ■ roller plunger 	<ul style="list-style-type: none"> ■ knob 	<ul style="list-style-type: none"> ■ knob
Approvals	UL, CSA	UL, CSA	ENEC, UL and CSA (switch only)	ENEC, UL and CSA (switch only)
Page	92	95	99	101

Modular Push Button



TP2

Panel cut-out (mm)	Ø 16.2 or Ø 22.5
Characteristics	<ul style="list-style-type: none"> ■ momentary or latching ■ sealed IP40, IP65 or IP67 ■ wide range of bezels ■ with or without illumination ■ NO, NC, CO ■ gold plated single or double pole contact blocks
Rating	250 VAC, 5 A
Dimensions (mm)	18 × 24 18 × 18 Ø 18 Ø 25
Actuator	■ lenses in different shapes and colors
Approvals	UL, CSA, VDE



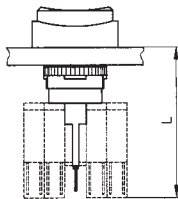
Popular products

Ordering Reference	Panel cut-out	Function	Actuator style	Terminals	Electrical rating
TP21LAAC1C1A4CN	Ø 16.2 mm	Latching; IP40	18 × 24 mm, red Illumination	2.8 × 0.5 mm faston	250 VAC, 5A
TP21LDAC1C1D4CN	Ø 16.2 mm	Latching; IP40	Ø 18 mm, red Illumination	2.8 × 0.5 mm faston	250 VAC, 5A
TP21MAAC1C1A4CN	Ø 16.2 mm	Momentary; IP40	18 × 24 mm, red Illumination	2.8 × 0.5 mm faston	250 VAC, 5A
TP21MDAC1C1D4CN	Ø 16.2 mm	Momentary; IP40	Ø 18 mm, red Illumination	2.8 × 0.5 mm faston	250 VAC, 5A
TP22LFAC1C1E4CN	Ø 22.5 mm	Latching; IP65	Ø 25 mm, red Illumination	2.8 × 0.5 mm faston	250 VAC, 5A
TP22MFAC1C1E4CN	Ø 22.5 mm	Momentary; IP65	Ø 25 mm, red Illumination	2.8 × 0.5 mm faston	250 VAC, 5A

Specifications

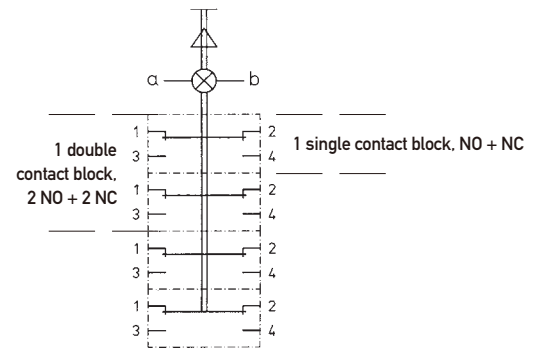
Mechanism	Bi-functional – momentary or latching
Actuating force	Approximately 2.5N – 1 contact block
Mounting	Central fixing with metal lock nut
Protection	IP40, IP65, IP67
Bezel material	Thermoplastic or anodized aluminum alloy
Lens material	Polycarbonate – engravable
Illumination	T1 ¾ midget grooved lamps – incandescent lamps . LEDs, multi LEDs 60 V, 1.2W maximum Lamp contact "b" = cathode (-) Appropriate safety regulations should be respected when using the indicator light.
Temperature range °C	-25°C to +85°C
Mechanical life	10 ⁶ cycles
Contact block	Slide-on assembly by the user with locking mechanism
Contact block housing	Self-extinguishing duroplastic (UL 94 plus V0)
Terminal material	Silver alloy with 0.2 µm silver plating, 0.4 µm gold plating
Contact resistance	<30 mOhm
Number of contact blocks	User configurable NO or NC types up to a maximum of 2 double contact blocks
Terminals	Solder – suitable for wire diameter 1 × 1.00 mm ² (braided), 2 × 0.75 mm (stranded) Faston – 2.8 mm × 0.5 mm
Vibration resistance	1.5 mm pp amplitude at 55 Hz

Dimensions

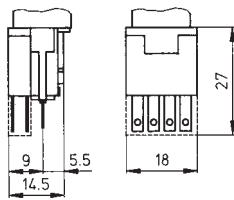


Length in mm (with contact block)	
plastic bezels	43.0
aluminum bezels	42.0
aluminum bezels concealed mounting	50.0

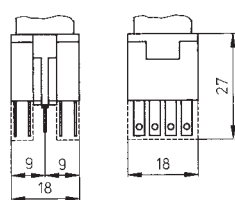
Circuit diagram (2 double contact blocks)



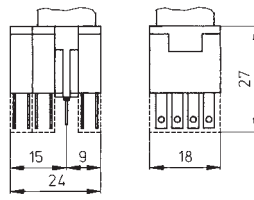
Contact blocks 1 single contact block



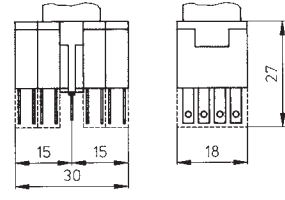
2 single contact blocks



1 single contact block + 1 double contact block



2 double contact blocks

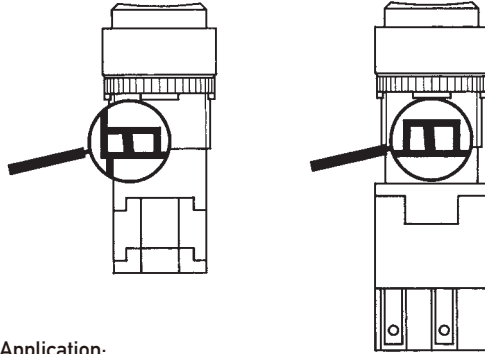


Recommended maximum electrical ratings

Voltage (max)	Resistive load (A)	Inductive load (A)	Approval
250 VAC	5.0 (0.7 pf)	L/R = 15 ms	UL, CSA, VDE - max. admissible circuit breaker C6A
12 VDC	5.0	3.0	General rating
24 VDC	4.0	2.0	General rating
36 VDC	3.0	1.7	General rating
48 VDC	2.0	1.5	General rating
60 VDC	1.5	1.2	General rating
125 VDC	0.5	0.3	General rating
250 VDC	0.3	0.2	General rating
Electrical life	50,000 cycles at 5A, 250 VAC, 0.7 pf		

Bi-functional selection

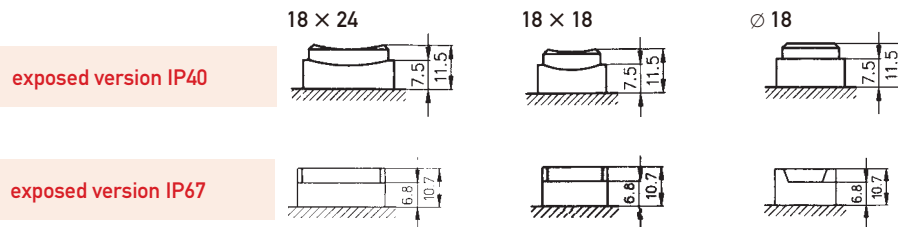
All latching switches in the range incorporate a simple selector mechanism for modifying the function of the switch. This function is not available with momentary switches.



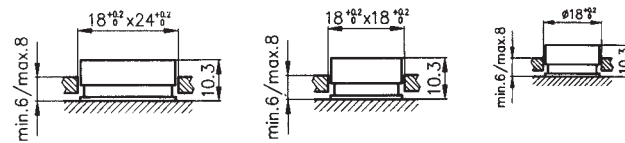
Application:

When the switch is in the off position the selector mechanism can be moved to the right to obtain a momentary function, or to the left to return to a latching function.

Plastic bezel and lens heights in mm (switch off position)



Panel cut-out exposed version 16.2 ± 0.1 mm

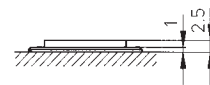


Aluminum bezel ∅ 25 and lens heights in mm (switch off position)

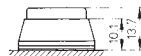
aluminum bezel without sealing gasket (IP40)



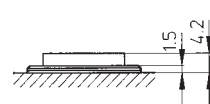
aluminum bezel countersunk mounting (IP40)



aluminum bezel with sealing gasket (IP65)



aluminum bezel countersunk mounting (IP67)



Panel cut-out 22.5 ± 0.1 mm

Front panel thickness

plastic bezel

1.0 mm to 6.5 mm

aluminum bezel 1.0 mm to 5.0 mm

countersunk mounting 2.0 mm to 15.0 mm

Ordering Reference

Example: TP2 1 MAA A1 A1 A0 A N

Basic type	TP2						
Panel cut-out	1 Ø 16.2 mm						
Switch body (A)	MAA	Function	Actuator	Housing (plastic)	Part No.		
	LAA	Momentary	18 × 24 mm	Exposed ; IP40; faston	TH501008000		
	MAC	Latching_	18 × 24 mm	Exposed ; IP40; faston	TH511008000		
	LAC	Momentary	18 × 24 mm	Exposed ; IP67; faston	TH501015000		
	MAB	Latching_	18 × 24 mm	Exposed ; IP67; faston	TH511015000		
	LAB	Momentary	18 × 24 mm	Concealed ; IP40; faston	TH501002000		
		Latching_	18 × 24 mm	Concealed ; IP40; faston	TH511002000		
	(B)	MBA	Momentary	18 × 18 mm	Exposed ; IP40; faston	TH503008000	
		LBA	Latching_	18 × 18 mm	Exposed ; IP40; faston	TH513008000	
		MBC	Momentary	18 × 18 mm	Exposed ; IP67; faston	TH503015000	
		LBC	Latching_	18 × 18 mm	Exposed ; IP67; faston	TH513015000	
		MBB	Momentary	18 × 18 mm	Concealed ; IP40; faston	TH503002000	
		LBB	Latching_	18 × 18 mm	Concealed ; IP40; faston	TH513002000	
	(C)	MDA	Momentary	Ø 18 mm	Exposed ; IP40; faston	TH505008000	
		LDA	Latching_	Ø 18 mm	Exposed ; IP40; faston	TH515008000	
		MDC	Momentary	Ø 18 mm	Exposed ; IP67; faston	TH505015000	
		LDC	Latching_	Ø 18 mm	Exposed ; IP67; faston	TH515015000	
		MDB	Momentary	Ø 18 mm	Concealed ; IP40; faston	TH505002000	
LDB		Latching_	Ø 18 mm	Concealed ; IP40; faston	TH515002000		
Contact block, gold Position 1	XX	No Contact Blocks		Terminals		Part No.	
	A1	NO		2.8 × 0.5mm		TH593566020	
	A9	NO		Insulated faston		TH593560020	
	A8	NO		Solder		TH593561020	
	B1	NC		2.8 × 0.5mm		TH593566050	
	B9	NC		Insulated faston		TH593560050	
	B8	NC		Solder		TH593561050	
	C1	1 NO + 1 NC		2.8 × 0.5mm		TH593566000	
	C9	1 NO + 1 NC		Insulated faston		TH593560000	
	C8	1 NO + 1 NC		Solder		TH593561000	
	D1	2 NO + 2 NC		2.8 × 0.5mm		TH593567000	
	D9	2 NO + 2 NC		Insulated faston		TH593563000	
	D8	2 NO + 2 NC		Solder		TH593564000	
Contact block, gold Position 2	XX	No Contact Blocks		Terminals		Part No.	
	A1	NO		2.8 × 0.5mm		TH593566020	
	A9	NO		Insulated faston		TH593560020	
	A8	NO		Solder		TH593561020	
	B1	NC		2.8 × 0.5mm		TH593566050	
	B9	NC		Insulated faston		TH593560050	
	B8	NC		Solder		TH593561050	
	C1	1 NO + 1 NC		2.8 × 0.5mm		TH593566000	
	C9	1 NO + 1 NC		Insulated faston		TH593560000	
	C8	1 NO + 1 NC		Solder		TH593561000	
	D1	2 NO + 2 NC		2.8 × 0.5mm		TH593567000	
	D9	2 NO + 2 NC		Insulated faston		TH593563000	
	D8	2 NO + 2 NC		Solder		TH593564000	
Lens, transparent For Switch body style (A)	A0	White	Exposed 15 × 21 mm	Exposed IP40 TH461021000	Exposed IP67 TH561011000	Concealed 18 × 24 mm TH461017000	
	A1	Yellow	15 × 21 mm	TH461121000	TH561111000	18 × 24 mm TH461117000	
	A2	Green	15 × 21 mm	TH461221000	TH561211000	18 × 24 mm TH461217000	
	A3	Blue	15 × 21 mm	TH461321000	TH561311000	18 × 24 mm TH461317000	
	A4	Red	15 × 21 mm	TH461421000	TH561411000	18 × 24 mm TH461417000	
	A6	Orange	15 × 21 mm	TH461621000	TH561611000	18 × 24 mm TH461617000	
	For Switch body style (B)	B0	White	15 × 15 mm	TH463021000	TH563011000	18 × 18 mm TH463018000
		B1	Yellow	15 × 15 mm	TH463121000	TH563111000	18 × 18 mm TH463118000
		B2	Green	15 × 15 mm	TH463221000	TH563211000	18 × 18 mm TH463218000
		B3	Blue	15 × 15 mm	TH463321000	TH563311000	18 × 18 mm TH463318000
		B4	Red	15 × 15 mm	TH463421000	TH563411000	18 × 18 mm TH463418000
		B6	Orange	15 × 15 mm	TH463621000	TH563611000	18 × 18 mm TH463618000
For Switch body style (C)	D0	White	Ø 15 mm	TH465021000	TH565011000	Ø 18 mm TH465015000	
	D1	Yellow	Ø 15 mm	TH465121000	TH565111000	Ø 18 mm TH465115000	
	D2	Green	Ø 15 mm	TH465221000	TH565211000	Ø 18 mm TH465215000	
	D3	Blue	Ø 15 mm	TH465321000	TH565311000	Ø 18 mm TH465315000	
	D4	Red	Ø 15 mm	TH465421000	TH565411000	Ø 18 mm TH465415000	
	D6	Orange	Ø 15 mm	TH465621000	TH565611000	Ø 18 mm TH465615000	
Illumination	X	Non illuminated					
	A	6V					
	B	12V					
	C	24V					
F	48V						
Illumination Color	X	Non illuminated					
	N	Incandescent lamp	6V, 200 mA TH590000000	12V, 80 mA TH590001000	24V, 50 mA TH590006000	48V, 25 mA TH590004000	
	1	Yellow LED	6V AC/DC, 45 mA TH590231000	12V AC/DC, 25 mA TH590234000	24V AC/DC, 12.5 mA TH590237000	48V AC/DC, 12.5 mA TH590240000	
	2	Green LED	TH590232000	TH590235000	TH590238000	TH590241000	
	4	Red LED	TH590230000	TH590233000	TH590236000	TH590239000	

Note: Contact blocks will be supplied unassembled

Ordering Reference

Example: TP2 1 MAD A1 A1 A0 A N

Basic type	TP2						
Panel cut-out	1 Ø 16.2 mm						
Switch body (A)	MAD	Momentary	18 × 24 mm	Exposed ; IP40; solder	TH501108000		
	LAD	Latching_	18 × 24 mm	Exposed ; IP40; solder	TH511108000		
	MAF	Momentary	18 × 24 mm	Exposed ; IP67; solder	TH501115000		
	LAF	Latching_	18 × 24 mm	Exposed ; IP67; solder	TH511115000		
	MAE	Momentary	18 × 24 mm	Concealed ; IP40; solder	TH501102000		
	LAE	Latching_	18 × 24 mm	Concealed ; IP40; solder	TH511102000		
	(B)	MBD	Momentary	18 × 18 mm	Exposed ; IP40; solder	TH503108000	
		LBD	Latching_	18 × 18 mm	Exposed ; IP40; solder	TH513108000	
		MBF	Momentary	18 × 18 mm	Exposed ; IP67; solder	TH503115000	
		LBF	Latching_	18 × 18 mm	Exposed ; IP67; solder	TH513115000	
		MBE	Momentary	18 × 18 mm	Concealed ; IP40; solder	TH503102000	
		LBE	Latching_	18 × 18 mm	Concealed ; IP40; solder	TH513102000	
	(C)	MDD	Momentary	Ø 18 mm	Exposed ; IP40; solder	TH505108000	
		LDD	Latching_	Ø 18 mm	Exposed ; IP40; solder	TH515108000	
		MDF	Momentary	Ø 18 mm	Exposed ; IP67; solder	TH505115000	
LDF		Latching_	Ø 18 mm	Exposed ; IP67; solder	TH515115000		
MDE		Momentary	Ø 18 mm	Concealed ; IP40; solder	TH505102000		
LDE		Latching_	Ø 18 mm	Concealed ; IP40; solder	TH515102000		
Contact block, gold Position 1	XX	No Contact Blocks			Part No.		
	A1	NO	2.8 × 0.5mm		TH593566020		
	A9	NO	Insulated faston		TH593560020		
	A8	NO	Solder		TH593561020		
	B1	NC	2.8 × 0.5mm		TH593566050		
	B9	NC	Insulated faston		TH593560050		
	B8	NC	Solder		TH593561050		
	C1	1 NO + 1 NC	2.8 × 0.5mm		TH593566000		
	C9	1 NO + 1 NC	Insulated faston		TH593560000		
	C8	1 NO + 1 NC	Solder		TH593561000		
	D1	2 NO + 2 NC	2.8 × 0.5mm		TH593567000		
	D9	2 NO + 2 NC	Insulated faston		TH593563000		
	D8	2 NO + 2 NC	Solder		TH593564000		
	Contact block, gold Position 2	XX	No Contact Blocks			Part No.	
A1		NO	2.8 × 0.5mm		TH593566020		
A9		NO	Insulated faston		TH593560020		
A8		NO	Solder		TH593561020		
B1		NC	2.8 × 0.5mm		TH593566050		
B9		NC	Insulated faston		TH593560050		
B8		NC	Solder		TH593561050		
C1		1 NO + 1 NC	2.8 × 0.5mm		TH593566000		
C9		1 NO + 1 NC	Insulated faston		TH593560000		
C8		1 NO + 1 NC	Solder		TH593561000		
D1		2 NO + 2 NC	2.8 × 0.5mm		TH593567000		
D9		2 NO + 2 NC	Insulated faston		TH593563000		
D8		2 NO + 2 NC	Solder		TH593564000		
Lens, transparent For Switch body style (A)		A0	White	Exposed 15 × 21 mm	Exposed IP40 TH461021000	Exposed IP67 TH561011000	Concealed 18 × 24 mm TH461017000
	A1	Yellow	15 × 21 mm	TH461121000	TH561111000	TH461117000	
	A2	Green	15 × 21 mm	TH461221000	TH561211000	TH461217000	
	A3	Blue	15 × 21 mm	TH461321000	TH561311000	TH461317000	
	A4	Red	15 × 21 mm	TH461421000	TH561411000	TH461417000	
	A6	Orange	15 × 21 mm	TH461621000	TH561611000	TH461617000	
	For Switch body style (B)	B0	White	15 × 15 mm	TH463021000	TH563011000	18 × 18 mm TH463018000
		B1	Yellow	15 × 15 mm	TH463121000	TH563111000	18 × 18 mm TH463118000
		B2	Green	15 × 15 mm	TH463221000	TH563211000	18 × 18 mm TH463218000
		B3	Blue	15 × 15 mm	TH463321000	TH563311000	18 × 18 mm TH463318000
		B4	Red	15 × 15 mm	TH463421000	TH563411000	18 × 18 mm TH463418000
		B6	Orange	15 × 15 mm	TH463621000	TH563611000	18 × 18 mm TH463618000
For Switch body style (C)	D0	White	Ø 15 mm	TH465021000	TH565011000	Ø 18 mm TH465015000	
	D1	Yellow	Ø 15 mm	TH465121000	TH565111000	Ø 18 mm TH465115000	
	D2	Green	Ø 15 mm	TH465221000	TH565211000	Ø 18 mm TH465215000	
	D3	Blue	Ø 15 mm	TH465321000	TH565311000	Ø 18 mm TH465315000	
	D4	Red	Ø 15 mm	TH465421000	TH565411000	Ø 18 mm TH465415000	
	D6	Orange	Ø 15 mm	TH465621000	TH565611000	Ø 18 mm TH465615000	
Illumination	X	Non illuminated					
	A	6V					
	B	12V					
	C	24V					
F	48V						
Illumination Color	X	Non illuminated					
	N	Incandescent lamp					
			6V, 200 mA TH590000000	12V, 80 mA TH590001000	24V, 50 mA TH590006000	48V, 25 mA TH590004000	
	1	Yellow LED	6V AC/DC, 45 mA TH590231000	12V AC/DC, 25 mA TH590234000	24V AC/DC, 12.5 mA TH590237000	48V AC/DC, 12.5 mA TH590240000	
	2	Green LED	TH590232000	TH590235000	TH590238000	TH590241000	
	4	Red LED	TH590230000	TH590233000	TH590236000	TH590239000	

Note: Contact blocks will be supplied unassembled

Ordering Reference

Basic type	TP2		Example: TP2		2	MFA	A1	A1	E0	A	N	
Panel cut-out	2		Ø 22.5 mm									
Switch body (A) (B)	Function	Actuator	Housing	Part No.								
	MFA Momentary	Ø 25	Exposed plastic; IP65; faston	TH50502000								
	LFA Latching_	Ø 25	Exposed plastic; IP65; faston	TH51502000								
	MFB Momentary	Ø 25	Exposed aluminum; IP40 / IP65*; faston	TH505018000								
	LFB Latching_	Ø 25	Exposed aluminum; IP40 / IP65*; faston	TH515018000								
	MFC Momentary	Ø 25	Exposed aluminum; IP65* with silicon cap; faston	TH505033000								
	LFC Latching_	Ø 25	Exposed aluminum; IP65* with silicon cap; faston	TH515033000								
	MFD Momentary	Ø 25	Flush-aluminum; IP40; faston	TH505050000								
	LFD Latching_	Ø 25	Flush-aluminum; IP40; faston	TH515050000								
	MFE Momentary	Ø 25	Flush-aluminum; IP67; faston	TH505051000								
LFE Latching_	Ø 25	Flush-aluminum; IP67; faston	TH515051000									
Contact block, gold Position 1	XX	No contact blocks	Terminals		Part No.							
	A1	NO	2.8 × 0.5mm		TH593566020							
	A9	NO	Insulated faston		TH593560020							
	A8	NO	Solder		TH593561020							
	B1	NC	2.8 × 0.5mm		TH593566050							
	B9	NC	Insulated faston		TH593560050							
	B8	NC	Solder		TH593561050							
	C1	1 NO + 1 NC	2.8 × 0.5mm		TH593566000							
	C9	1 NO + 1 NC	Insulated faston		TH593560000							
	C8	1 NO + 1 NC	Solder		TH593561000							
	D1	2 NO + 2 NC	2.8 × 0.5mm		TH593569000							
	D9	2 NO + 2 NC	Insulated faston		TH593563000							
	D8	2 NO + 2 NC	Solder		TH593564000							
	Contact block, gold Position 2	XX	No contact blocks	Terminals		Part No.						
		A1	NO	2.8 × 0.5mm		TH593566020						
		A9	NO	Insulated faston		TH593560020						
A8		NO	Solder		TH593561020							
B1		NC	2.8 × 0.5mm		TH593566050							
B9		NC	Insulated faston		TH593560050							
B8		NC	Solder		TH593561050							
C1		1 NO + 1 NC	2.8 × 0.5mm		TH593566000							
C9		1 NO + 1 NC	Insulated faston		TH593560000							
C8		1 NO + 1 NC	Solder		TH593561000							
D1		2 NO + 2 NC	2.8 × 0.5mm		TH593569000							
D9		2 NO + 2 NC	Insulated faston		TH593563000							
D8		2 NO + 2 NC	Solder		TH593564000							
Lens, transparent For Switch body style (A)		E0	White	Ø 21	TH565024000	} For Plastic Bezel only IP65						
		E1	Yellow	Ø 21	TH565124000							
		E2	Green	Ø 21	TH565224000							
	E3	Blue	Ø 21	TH565324000								
	E4	Red	Ø 21	TH565424000								
	E6	Orange	Ø 21	TH565624000								
For Switch body style (B)	F0	White	Ø 18	TH465015000	IP40/IP65	IP65 with Silicon cap	IP67	} For Aluminum Bezel only				
	F1	Yellow	Ø 18	TH465115000	TH465001000	TH590006000	TH565025000					
	F2	Green	Ø 18	TH465215000	TH465101000	TH590234000	TH565125000					
	F3	Blue	Ø 18	TH465315000	TH465201000	TH590237000	TH565225000					
	F4	Red	Ø 18	TH465415000	TH465301000	TH590238000	TH565325000					
	F6	Orange	Ø 18	TH465615000	TH465401000	TH590239000	TH565425000					
Illumination	X	Non illuminated										
	A	6V										
	B	12V										
	C	24V										
	F	48V										
Illumination Color	X	Non illuminated										
	N	Incandescent lamp		6V, 200 mA TH590000000		12V, 80 mA TH590001000		24V, 50 mA TH590006000		48V, 25 mA TH590004000		
	1	Yellow LED		6V AC/DC, 45 mA TH590231000		12V AC/DC, 25 mA TH590234000		24V AC/DC, 12.5 mA TH590237000		48V AC/DC, 12.5 mA TH590240000		
	2	Green LED		TH590232000		TH590235000		TH590238000		TH590241000		
	4	Red LED		TH590230000		TH590233000		TH590236000		TH590239000		

Note: Contact blocks will be supplied unassembled

Ordering Reference

Modular Push Button

Basic type	TP2		Example: TP2				2	MFF	A1	A1	E0	A	N
Panel cut-out	2		Ø 22.5 mm										
Switch body (A)	MFF	Function	Actuator	Housing	Part No.								
		Momentary	Ø 25	Exposed plastic; IP65; solder	TH505120000								
	LFF	Latching	Ø 25	Exposed plastic; IP65; solder	TH515120000								
	(B)	MFG	Function	Actuator	Housing	Part No.							
		Momentary	Ø 25	Exposed aluminum; IP40 / IP65*; solder	TH505118000								
	LFG	Latching	Ø 25	Exposed aluminum; IP40 / IP65*; solder	TH515118000								
	MFH	Function	Actuator	Housing	Part No.								
		Momentary	Ø 25	Exposed aluminum; IP65* with silicon cap; solder	TH505133000								
	LFH	Latching	Ø 25	Exposed aluminum; IP65* with silicon cap; solder	TH515133000								
	MFJ	Function	Actuator	Housing	Part No.								
		Momentary	Ø 25	Flush-aluminum; IP40; solder	TH505150000								
	LFJ	Latching	Ø 25	Flush-aluminum; IP40; solder	TH515150000								
MFK	Function	Actuator	Housing	Part No.									
	Momentary	Ø 25	Flush-aluminum; IP67; solder	TH505151000									
LFK	Latching	Ø 25	Flush-aluminum; IP67; solder	TH515151000									
Contact block, gold Position 1	XX	No Contact Blocks		Terminals	Part No.								
	A1	NO		2.8 × 0.5mm	TH593566020								
	A9	NO		Insulated faston	TH593560020								
	A8	NO		Solder	TH593561020								
	B1	NC		2.8 × 0.5mm	TH593566050								
	B9	NC		Insulated faston	TH593560050								
	B8	NC		Solder	TH593561050								
	C1	1 NO + 1 NC		2.8 × 0.5mm	TH593566000								
	C9	1 NO + 1 NC		Insulated faston	TH593560000								
	C8	1 NO + 1 NC		Solder	TH593561000								
	D1	2 NO + 2 NC		2.8 × 0.5mm	TH593567000								
	D9	2 NO + 2 NC		Insulated faston	TH593563000								
	D8	2 NO + 2 NC		Solder	TH593564000								
	Contact block, gold Position 2	XX	No Contact Blocks		Terminals	Part No.							
		A1	NO		2.8 × 0.5mm	TH593566020							
		A9	NO		Insulated faston	TH593560020							
A8		NO		Solder	TH593561020								
B1		NC		2.8 × 0.5mm	TH593566050								
B8		NC		Solder	TH593561050								
C1		1 NO + 1 NC		2.8 × 0.5mm	TH593566000								
C9		1 NO + 1 NC		Insulated faston	TH593560000								
C8		1 NO + 1 NC		Solder	TH593561000								
D1		2 NO + 2 NC		2.8 × 0.5mm	TH593567000								
D9		2 NO + 2 NC		Insulated faston	TH593563000								
D8		2 NO + 2 NC		Solder	TH593564000								
Lens, transparent For Switch body style (A)		E0	White	Ø 21	TH565024000	} For Plastic Bezel only IP65							
		E1	Yellow	Ø 21	TH565124000								
		E2	Green	Ø 21	TH565224000								
		E3	Blue	Ø 21	TH565324000								
	E4	Red	Ø 21	TH565424000									
	E6	Orange	Ø 21	TH565624000									
For Switch body style (B)	F0	White	Ø 18	TH465015000	IP40/IP65	IP65 with Silicon cap	IP67	} For Aluminum Bezel only					
	F1	Yellow	Ø 18	TH465115000	TH465001000	TH565025000	TH565010000						
	F2	Green	Ø 18	TH465215000	TH465101000	TH565125000	TH465201000						
	F3	Blue	Ø 18	TH465315000	TH465201000	TH565225000	TH465301000						
	F4	Red	Ø 18	TH465415000	TH465301000	TH565325000	TH465401000						
	F6	Orange	Ø 18	TH465615000	TH465401000	TH565425000	TH465601000						
					TH465601000	TH565625000							
Illumination	X	Non illuminated											
	A	6V											
	B	12V											
	C	24V											
F	48V												
Illumination Color	X	Non illuminated											
	N	Incandescent lamp		6V, 200 mA	12V, 80 mA	24V, 50 mA	48V, 25 mA						
				TH590000000	TH590001000	TH590006000	TH590004000						
	1	Yellow LED	6V AC/DC, 45 mA	12V AC/DC, 25 mA	24V AC/DC, 12.5 mA	48V AC/DC, 12.5 mA							
	2	Green LED	TH590231000	TH590234000	TH590237000	TH590240000							
	4	Red LED	TH590232000	TH590235000	TH590238000	TH590241000							
			TH590230000	TH590233000	TH590236000	TH590239000							

Note: Contact blocks will be supplied unassembled

TP5

Panel cut-out (mm)	Ø 16.2 or Ø 22.5
Characteristics	<ul style="list-style-type: none"> ■ momentary or latching ■ sealed IP40 or IP65 ■ wide range of bezels ■ shallow mounting depth ■ with or without illumination ■ NO, NC ■ gold plated contact blocks
Rating	250 VAC, 5 A
Dimensions (mm)	18 × 24 18 × 18 Ø 18 Ø 25
Actuator	■ lenses in different shapes and colors
Approvals	UL, CSA, VDE



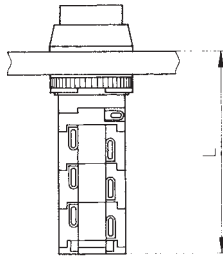
Popular Products

Ordering Reference	Panel cut-out	Function	Actuator style	Terminals	Electrical rating
TP51LAA2A4CN	Ø 16.2 mm	Latching; IP40	18 × 24 mm, red Illumination	Solder; gold	250 VAC, 5A
TP51LDA2D4CN	Ø 16.2 mm	Latching; IP40	Ø 18 mm, red Illumination	Solder; gold	250 VAC, 5A
TP51MAA2A4CN	Ø 16.2 mm	Momentary; IP40	18 × 24 mm, red Illumination	Solder; gold	250 VAC, 5A
TP51MDA2D4CN	Ø 16.2 mm	Momentary; IP40	Ø 18 mm, red Illumination	Solder; gold	250 VAC, 5A
TP52LFD2F4CN	Ø 22.5 mm	Latching; IP40	Ø 25 mm, red Illumination	Solder; gold	250 VAC, 5A
TP52MFD2F4CN	Ø 22.5 mm	Momentary; IP40	Ø 25 mm, green Illumination	Solder; gold	250 VAC, 5A

Specifications

Mechanism	Bi-functional – momentary or latching
Actuating force	Approximately 2.5N – 1 contact block
Mounting	Central fixing with metal lock nut
Protection	IP40, IP65
Bezel material	Thermoplastic or anodized aluminum alloy
Lens material	Polycarbonate – engravable
Illumination	T13/4 midget grooved lamps – incandescent lamps , LEDs, multi LEDs 60 V, 1.2 W maximum Lamp contact "a" = cathode (-) Appropriate safety regulations should be respected when using the indicator light.
Temperature range °C	-30°C to +80°C
Mechanical life	10 ⁶ cycles
Contact block (blocks)	Supplied fitted
Contact block housing	Self-extinguishing duroplastic (UL 94 V0)
Terminal material	Silver alloy with 0.2 µm silver plating plus 0.4 µm gold plating
Contact resistance	< 30mOhm
Number of contact blocks	1 NO + 1 NC per contact block, up to a maximum of 3 contact blocks per switch
Terminals	Patented flexible solder - suitable for wire diameter 2 × 1.00 mm ² (braided), 4 × 0.75 mm (stranded)
Vibration resistance	1.5 mm pp amplitude at 55 Hz

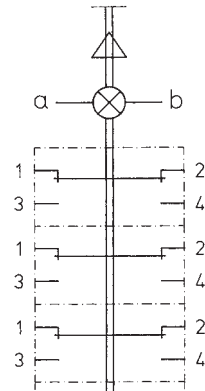
Dimensions



Length in mm (countersunk mounting version)

Panel cut-out	16.2 ±0.1	22.5 ±0.1
N° of contact blocks	1	26.5 (35.0)
	2	35.0 (43.5)
	3	43.5 (52.0)

Circuit diagram (3 contact blocks)



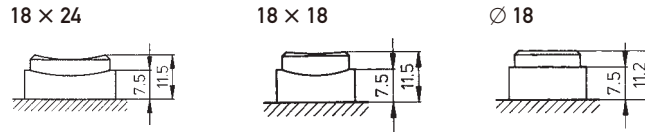
Recommended maximum electrical ratings

Voltage (max)	Resistive load (A)	Inductive load (A)	Approval
250 VAC	5.0 (0.7 pf)		UL, CSA, VDE - max. admissible circuit breaker C6A
12 VDC	5.0	3.0	General rating
24 VDC	4.0	2.0	General rating
36 VDC	3.0	1.7	General rating
48 VDC	2.0	1.5	General rating
60 VDC	1.5	1.2	General rating
125 VDC	0.5	0.3	General rating
250 VDC	0.3	0.2	General rating

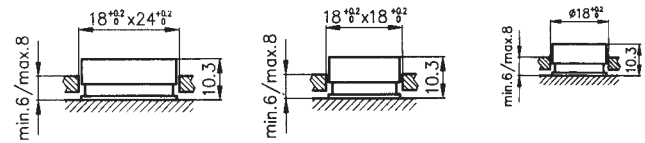
Electrical life 70,000 cycles at 5A, 250 VAC, 0.7 pf

Dimensions Plastic bezel and lens heights in mm (switch off position)

exposed version
Panel cut-out
 16.2 ± 0.1 mm

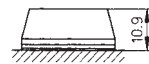


concealed version
Panel cut-out

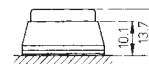


Aluminum bezel Ø 25 and lens heights in mm (switch off position)

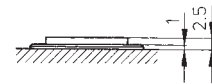
aluminum bezel
without sealing gasket (IP40)



aluminum bezel
with sealing gasket (IP65)



aluminum bezel
countersunk mounting (IP40)



Panel cut-out 22.5 ± 0.1 mm

Front panel thickness

plastic bezel

1.0 mm to 5.5 mm

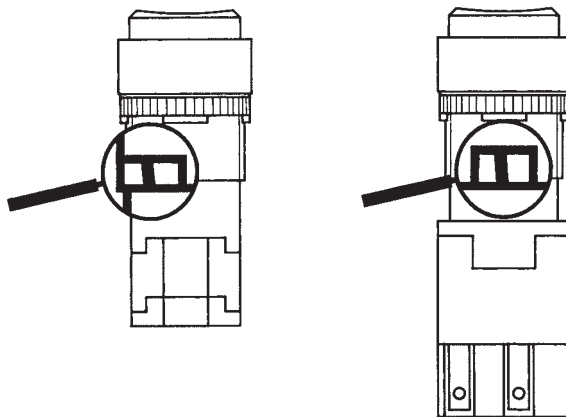
aluminum bezel 1.0 mm to 5.0 mm

countersunk mounting 2.0 mm to 20.0 mm

Bi-functional selection

All latching switches in the range incorporate a simple selector mechanism for modifying the function of the switch.

This function is not available with momentary or interlocking switches.



Application:

When the switch is in the off position the selector mechanism can be moved to the right to obtain a momentary function, or to the left to return to a latching function.

Ordering Reference

Modular Push Button

Basic type		TP5				Example: TP5		1	MAA0	A0	A	N
Panel cut-out		1										Ø 16.2 mm
Switch body (A)		Function	Actuator	Housing (plastic)	Contact blocks	Part No.						
Switch body (A)	MAA0	Momentary	18 × 24 mm	Exposed; IP40; solder	None	TH50008000						
	MAA1	Momentary	18 × 24 mm	Exposed; IP40; solder	1 NO + 1 NC	TH500108000						
	MAA2	Momentary	18 × 24 mm	Exposed; IP40; solder	2 NO + 2 NC	TH500208000						
	MAA3	Momentary	18 × 24 mm	Exposed; IP40; solder	3 NO + 3 NC	TH500308000						
	LAA0	Latching	18 × 24 mm	Exposed; IP40; solder	None	TH510008000						
	LAA1	Latching	18 × 24 mm	Exposed; IP40; solder	1 NO + 1 NC	TH510108000						
	LAA2	Latching	18 × 24 mm	Exposed; IP40; solder	2 NO + 2 NC	TH510208000						
	LAA3	Latching	18 × 24 mm	Exposed; IP40; solder	3 NO + 3 NC	TH510308000						
	MAB0	Momentary	18 × 24 mm	Concealed; IP40; solder	None	TH500002000						
	MAB1	Momentary	18 × 24 mm	Concealed; IP40; solder	1 NO + 1 NC	TH500102000						
	MAB2	Momentary	18 × 24 mm	Concealed; IP40; solder	2 NO + 2 NC	TH500202000						
	MAB3	Momentary	18 × 24 mm	Concealed; IP40; solder	3 NO + 3 NC	TH500302000						
Switch body (B)	LAB0	Latching	18 × 24 mm	Concealed; IP40; solder	None	TH510002000						
	LAB1	Latching	18 × 24 mm	Concealed; IP40; solder	1 NO + 1 NC	TH510102000						
	LAB2	Latching	18 × 24 mm	Concealed; IP40; solder	2 NO + 2 NC	TH510202000						
	LAB3	Latching	18 × 24 mm	Concealed; IP40; solder	3 NO + 3 NC	TH510302000						
	MBA0	Momentary	18 × 18 mm	Exposed; IP40; solder	None	TH502008000						
	MBA1	Momentary	18 × 18 mm	Exposed; IP40; solder	1 NO + 1 NC	TH502108000						
	MBA2	Momentary	18 × 18 mm	Exposed; IP40; solder	2 NO + 2 NC	TH502208000						
	MBA3	Momentary	18 × 18 mm	Exposed; IP40; solder	3 NO + 3 NC	TH502308000						
	LBA0	Latching	18 × 18 mm	Exposed; IP40; solder	None	TH512008000						
	LBA1	Latching	18 × 18 mm	Exposed; IP40; solder	1 NO + 1 NC	TH512108000						
	LBA2	Latching	18 × 18 mm	Exposed; IP40; solder	2 NO + 2 NC	TH512208000						
	LBA3	Latching	18 × 18 mm	Exposed; IP40; solder	3 NO + 3 NC	TH512308000						
Switch body (C)	MBB0	Momentary	18 × 18 mm	Concealed; IP40; solder	None	TH502002000						
	MBB1	Momentary	18 × 18 mm	Concealed; IP40; solder	1 NO + 1 NC	TH502102000						
	MBB2	Momentary	18 × 18 mm	Concealed; IP40; solder	2 NO + 2 NC	TH502202000						
	MBB3	Momentary	18 × 18 mm	Concealed; IP40; solder	3 NO + 3 NC	TH502302000						
	LBB0	Latching	18 × 18 mm	Concealed; IP40; solder	None	TH512002000						
	LBB1	Latching	18 × 18 mm	Concealed; IP40; solder	1 NO + 1 NC	TH512102000						
	LBB2	Latching	18 × 18 mm	Concealed; IP40; solder	2 NO + 2 NC	TH512202000						
	LBB3	Latching	18 × 18 mm	Concealed; IP40; solder	3 NO + 3 NC	TH512302000						
	Transparent Lens	MDA0	Momentary	Ø 18 mm	Exposed; IP40; solder	None	TH504008000					
		MDA1	Momentary	Ø 18 mm	Exposed; IP40; solder	1 NO + 1 NC	TH504108000					
		MDA2	Momentary	Ø 18 mm	Exposed; IP40; solder	2 NO + 2 NC	TH504208000					
		MDA3	Momentary	Ø 18 mm	Exposed; IP40; solder	3 NO + 3 NC	TH504308000					
LDA0		Latching	Ø 18 mm	Exposed; IP40; solder	None	TH514008000						
LDA1		Latching	Ø 18 mm	Exposed; IP40; solder	1 NO + 1 NC	TH514108000						
LDA2		Latching	Ø 18 mm	Exposed; IP40; solder	2 NO + 2 NC	TH514208000						
LDA3		Latching	Ø 18 mm	Exposed; IP40; solder	3 NO + 3 NC	TH514308000						
For Switch body style (B)		MDB0	Momentary	Ø 18 mm	Concealed; IP40; solder	None	TH504002000					
		MDB1	Momentary	Ø 18 mm	Concealed; IP40; solder	1 NO + 1 NC	TH504102000					
		MDB2	Momentary	Ø 18 mm	Concealed; IP40; solder	2 NO + 2 NC	TH504202000					
		MDB3	Momentary	Ø 18 mm	Concealed; IP40; solder	3 NO + 3 NC	TH504302000					
	LDB0	Latching	Ø 18 mm	Concealed; IP40; solder	None	TH514002000						
	LDB1	Latching	Ø 18 mm	Concealed; IP40; solder	1 NO + 1 NC	TH514102000						
	LDB2	Latching	Ø 18 mm	Concealed; IP40; solder	2 NO + 2 NC	TH514202000						
	LDB3	Latching	Ø 18 mm	Concealed; IP40; solder	3 NO + 3 NC	TH514302000						
	For Switch body style (C)	B0	White	15 × 15 mm	Exposed	18 × 24 mm	Concealed					
		B1	Yellow	15 × 15 mm	Exposed	18 × 24 mm	Concealed					
		B2	Green	15 × 15 mm	Exposed	18 × 24 mm	Concealed					
		B3	Blue	15 × 15 mm	Exposed	18 × 24 mm	Concealed					
B4		Red	15 × 15 mm	Exposed	18 × 24 mm	Concealed						
B6		Orange	15 × 15 mm	Exposed	18 × 24 mm	Concealed						
Illumination	D0	White	Ø 15 mm	Exposed	Ø 18 mm	Concealed						
	D1	Yellow	Ø 15 mm	Exposed	Ø 18 mm	Concealed						
	D2	Green	Ø 15 mm	Exposed	Ø 18 mm	Concealed						
	D3	Blue	Ø 15 mm	Exposed	Ø 18 mm	Concealed						
	D4	Red	Ø 15 mm	Exposed	Ø 18 mm	Concealed						
	D6	Orange	Ø 15 mm	Exposed	Ø 18 mm	Concealed						
Illumination Color	X	Non illuminated										
	A	6V										
	B	12V										
	C	24V										
	F	48V										
	Illumination Color	X	Non illuminated									
		N	Incandescent lamp									
		1	Yellow LED	6V AC/DC, 200 mA	TH590000000	12V, 80 mA	24V, 50 mA	48V, 25 mA				
		2	Green LED	6V AC/DC, 45 mA	TH590231000	12V AC/DC, 25 mA	24V AC/DC, 12.5 mA	48V AC/DC, 12.5 mA				
	Illumination Color	3	Blue LED	6V AC/DC, 45 mA	TH590232000	12V AC/DC, 25 mA	24V AC/DC, 12.5 mA	48V AC/DC, 12.5 mA				
		4	Red LED	6V AC/DC, 45 mA	TH590230000	12V AC/DC, 25 mA	24V AC/DC, 12.5 mA	48V AC/DC, 12.5 mA				
		1	Yellow LED	6V AC/DC, 45 mA	TH590231000	12V AC/DC, 25 mA	24V AC/DC, 12.5 mA	48V AC/DC, 12.5 mA				
2		Green LED	6V AC/DC, 45 mA	TH590232000	12V AC/DC, 25 mA	24V AC/DC, 12.5 mA	48V AC/DC, 12.5 mA					
Illumination Color	3	Blue LED	6V AC/DC, 45 mA	TH590233000	12V AC/DC, 25 mA	24V AC/DC, 12.5 mA	48V AC/DC, 12.5 mA					
	4	Red LED	6V AC/DC, 45 mA	TH590230000	12V AC/DC, 25 mA	24V AC/DC, 12.5 mA	48V AC/DC, 12.5 mA					
	1	Yellow LED	6V AC/DC, 45 mA	TH590231000	12V AC/DC, 25 mA	24V AC/DC, 12.5 mA	48V AC/DC, 12.5 mA					
	2	Green LED	6V AC/DC, 45 mA	TH590232000	12V AC/DC, 25 mA	24V AC/DC, 12.5 mA	48V AC/DC, 12.5 mA					
Illumination Color	3	Blue LED	6V AC/DC, 45 mA	TH590233000	12V AC/DC, 25 mA	24V AC/DC, 12.5 mA	48V AC/DC, 12.5 mA					
	4	Red LED	6V AC/DC, 45 mA	TH590230000	12V AC/DC, 25 mA	24V AC/DC, 12.5 mA	48V AC/DC, 12.5 mA					
	1	Yellow LED	6V AC/DC, 45 mA	TH590231000	12V AC/DC, 25 mA	24V AC/DC, 12.5 mA	48V AC/DC, 12.5 mA					
	2	Green LED	6V AC/DC, 45 mA	TH590232000	12V AC/DC, 25 mA	24V AC/DC, 12.5 mA	48V AC/DC, 12.5 mA					

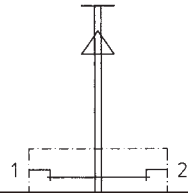
Ordering Reference

Basic type	TP5				Example: TP5	2	MFC0	F0	A	N	
Panel cut-out	2				Ø 22.5 mm						
Switch body	Function	Actuator	Housing (Aluminum)	Contact blocks	Part No.						
	MFC0 Momentary	Ø 25 mm	Exposed Aluminum; IP40 / IP65*; solder	None	TH504018000						
	MFC1 Momentary	Ø 25 mm	Exposed Aluminum; IP40 / IP65*; solder	1 NO + 1 NC	TH504118000						
	MFC2 Momentary	Ø 25 mm	Exposed Aluminum; IP40 / IP65*; solder	2 NO + 2 NC	TH504218000						
	MFC3 Momentary	Ø 25 mm	Exposed Aluminum; IP40 / IP65*; solder	3 NO + 3 NC	TH504318000						
	LFC0 Latching_	Ø 25 mm	Exposed Aluminum; IP40 / IP65*; solder	None	TH514018000						
	LFC1 Latching_	Ø 25 mm	Exposed Aluminum; IP40 / IP65*; solder	1 NO + 1 NC	TH514118000						
	LFC2 Latching_	Ø 25 mm	Exposed Aluminum; IP40 / IP65*; solder	2 NO + 2 NC	TH514218000						
	LFC3 Latching_	Ø 25 mm	Exposed Aluminum; IP40 / IP65*; solder	3 NO + 3 NC	TH514318000						
	MFD0 Momentary	Ø 25 mm	Flush Aluminum; IP40; solder	None	TH504050000						
	MFD1 Momentary	Ø 25 mm	Flush Aluminum; IP40; solder	1 NO + 1 NC	TH504150000						
	MFD2 Momentary	Ø 25 mm	Flush Aluminum; IP40; solder	2 NO + 2 NC	TH504250000						
	MFD3 Momentary	Ø 25 mm	Flush Aluminum; IP40; solder	3 NO + 3 NC	TH504350000						
	LFD0 Latching_	Ø 25 mm	Flush Aluminum; IP40; solder	None	TH514050000						
	LFD1 Latching_	Ø 25 mm	Flush Aluminum; IP40; solder	1 NO + 1 NC	TH514150000						
	LFD2 Latching_	Ø 25 mm	Flush Aluminum; IP40; solder	2 NO + 2 NC	TH514250000						
	LFD3 Latching_	Ø 25 mm	Flush Aluminum; IP40; solder	3 NO + 3 NC	TH514350000						
	MFK0 Momentary	Ø 25 mm	Exposed Aluminum with silicon cap; IP65*; solder	None	TH504033000						
	MFK1 Momentary	Ø 25 mm	Exposed Aluminum with silicon cap; IP65*; solder	1 NO + 1 NC	TH504133000						
	MFK2 Momentary	Ø 25 mm	Exposed Aluminum with silicon cap; IP65*; solder	2 NO + 2 NC	TH504233000						
	MFK3 Momentary	Ø 25 mm	Exposed Aluminum with silicon cap; IP65*; solder	3 NO + 3 NC	TH504333000						
	LFK0 Latching_	Ø 25 mm	Exposed Aluminum with silicon cap; IP65*; solder	None	TH514033000						
	LFK1 Latching_	Ø 25 mm	Exposed Aluminum with silicon cap; IP65*; solder	1 NO + 1 NC	TH514133000						
	LFK2 Latching_	Ø 25 mm	Exposed Aluminum with silicon cap; IP65*; solder	2 NO + 2 NC	TH514233000						
	LFK3 Latching_	Ø 25 mm	Exposed Aluminum with silicon cap; IP65*; solder	3 NO + 3 NC	TH514333000						
	Lens, transparent	F0	White	Ø 18	IP40/IP65	IP65 with sealing ring					
		F1	Yellow	Ø 18	TH465015000	TH465001000					
F2		Green	Ø 18	TH465115000	TH465101000						
F3		Blue	Ø 18	TH465215000	TH465201000						
F4		Red	Ø 18	TH465315000	TH465301000						
F6		Orange	Ø 18	TH465415000	TH465401000						
Illumination	X	Non illuminated									
	A	6V									
	B	12V									
	C	24V									
	F	48V									
Illumination Color	N	Non illuminated									
		Incandescent lamp	6V, 200 mA TH590000000	12V, 80 mA TH59001000	24V, 50 mA TH590006000	48V, 25 mA TH590004000					
	1	Yellow LED	6V AC/DC, 45 mA TH590231000	12V AC/DC, 25 mA TH590234000	24V AC/DC, 12.5 mA TH590237000	48V AC/DC, 12.5 mA TH590240000					
	2	Green LED	TH590232000	TH590235000	TH590238000	TH590241000					
	4	Red LED	TH590230000	TH590233000	TH590236000	TH590239000					

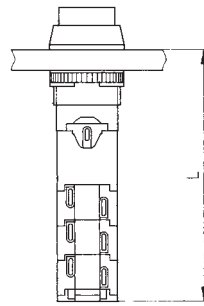
Assembled Push Button



Circuit diagrams (3 contact blocks)



Dimension



TP4

Panel cut-out (mm)	Ø 16.2 or Ø 22.5
Characteristics	<ul style="list-style-type: none"> ■ mushroom ■ momentary or latching ■ sealed IP40 or IP65 ■ wide range of bezels ■ NO, NC ■ gold plated contact blocks
Rating	250 VAC, 5 A
Dimensions (mm)	18 × 24 24 × 24 Ø 24 Ø 30
Actuator	■ mushroom cap in different shapes and colors
Approvals	UL, CSA, VDE



Popular products

Ordering Reference	Panel cut-out (mm)	Function	Actuator size (mm)	Actuator style	Environmental protection	Terminals	Electrical rating
TP41LAJ2A4NXX	Ø 16.2	Latching	18 × 24	mushroom, red	IP40	Solder	250 VAC, 5A
TP41LEJ2E4NXX	Ø 16.2	Latching	Ø 24	mushroom, red	IP40	Solder	250 VAC, 5A
TP41MAJ2A4NXX	Ø 16.2	Momentary	18 × 24	mushroom, red	IP40	Solder	250 VAC, 5A
TP41MEJ2E4NXX	Ø 16.2	Momentary	Ø 24	mushroom, red	IP40	Solder	250 VAC, 5A
TP42LHJ2H4NXX	Ø 22.5	Latching	Ø 30	mushroom, red	IP65	Solder	250 VAC, 5A
TP42MHJ2H4NXX	Ø 22.5	Momentary	Ø 30	mushroom, red	IP65	Solder	250 VAC, 5A

Specifications

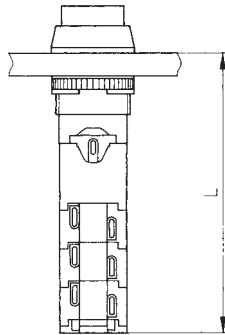
Mechanism	Momentary or latching
Actuating force	Approximately 2.5N – 1 contact block
Mounting	Central fixing with metal lock nut
Protection	IP40, IP65
Bezel material	Thermoplastic or anodized aluminum alloy
Lens material	Polycarbonate – engravable
Illumination	Non-illuminated
Temperature range °C	-30°C to +80°C
Mechanical life	10 ⁶ cycles
Contact block (blocks)	Supplied fitted
Contact block housing	Self-extinguishing duroplastic (UL 94 V0)
Terminal material	Silver alloy with 0.2 µm silver plating, plus 0.4 µm gold plating
Contact resistance	< 30mOhm
Number of contact blocks	1 NO + 1 NC per contact block, up to a maximum of 3 contact blocks per switch
Terminals	Patented flexible solder - suitable for wire diameter 2 × 1.00 mm ² (braided), 4 × 0.75 mm (stranded)
Vibration resistance	1.5mm pp amplitude at 55 Hz

Recommended maximum electrical ratings

Voltage (max) 250 VAC	Resistive load (A) 5.0 (0.7 pf)	Inductive load (A)	Approval UL, CSA, VDE - max. admissible circuit breaker C6A
12 VDC	5.0	3.0	General rating
24 VDC	4.0	2.0	General rating
36 VDC	3.0	1.7	General rating
48 VDC	2.0	1.5	General rating
60 VDC	1.5	1.2	General rating
125 VDC	0.5	0.3	General rating
250 VDC	0.3	0.2	General rating

Electrical life 70,000 cycles at 5A, 250 VAC, 0.7 pf

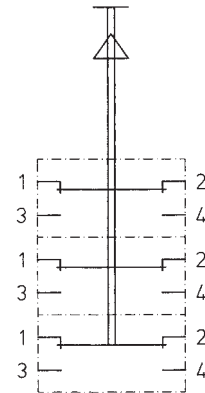
Dimensions



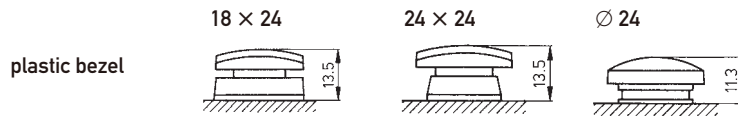
Length in mm

Panel cut-out	16.2 ± 0.1	22.5 ± 0.1
N° of contact blocks	1 44.5	43.5
	2 53.0	52.0
	3 61.5	60.5

Circuit diagrams (3 contact blocks)



Bezel and lens heights in mm (switch off position)



panel cut-out 16.2 ± 0.1 mm



panel cut-out 22.5 mm

Front panel thickness 1.0 mm to 10 mm (Aluminum bezel 1.0 mm to 6.5 mm)

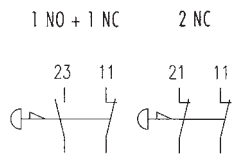
Ordering Reference

Basic type		TP4					Example: TP4 1 MAJ0 A0 N X X				
Panel cut-out	1	Ø 16.2 mm	Switch body 18 × 24; 24 × 24; Ø 24								
	2	Ø 22.5 mm	Switch body Ø 30 only								
			Function	Actuator style	Environmental protection	Contact blocks	Part No.				
Switch body Panel cut-out 16.2 mm (A)	MAJ0	Momentary	18 × 24 mm	IP40	None	TH400004					
	MAJ1	Momentary	18 × 24 mm	IP40	1 NO + 1 NC	TH400104					
	MAJ2	Momentary	18 × 24 mm	IP40	2 NO + 2 NC	TH400204					
	MAJ3	Momentary	18 × 24 mm	IP40	3 NO + 3 NC	TH400304					
	LAJ0	Latching	18 × 24 mm	IP40	None	TH410004					
	LAJ1	Latching	18 × 24 mm	IP40	1 NO + 1 NC	TH410104					
	LAJ2	Latching	18 × 24 mm	IP40	2 NO + 2 NC	TH410204					
	LAJ3	Latching	18 × 24 mm	IP40	3 NO + 3 NC	TH410304					
Panel cut-out 16.2 mm (B)	MCJ0	Momentary	24 × 24 mm	IP40	None	TH402004					
	MCJ1	Momentary	24 × 24 mm	IP40	1 NO + 1 NC	TH402104					
	MCJ2	Momentary	24 × 24 mm	IP40	2 NO + 2 NC	TH402204					
	MCJ3	Momentary	24 × 24 mm	IP40	3 NO + 3 NC	TH402304					
	LCJ0	Latching	24 × 24 mm	IP40	None	TH412004					
	LCJ1	Latching	24 × 24 mm	IP40	1 NO + 1 NC	TH412104					
	LCJ2	Latching	24 × 24 mm	IP40	2 NO + 2 NC	TH412204					
	LCJ3	Latching	24 × 24 mm	IP40	3 NO + 3 NC	TH412304					
Panel cut-out 16.2 mm (C)	MEJ0	Momentary	Ø 24	IP40	None	TH404004					
	MEJ1	Momentary	Ø 24	IP40	1 NO + 1 NC	TH404104					
	MEJ2	Momentary	Ø 24	IP40	2 NO + 2 NC	TH404204					
	MEJ3	Momentary	Ø 24	IP40	3 NO + 3 NC	TH404304					
	LEJ0	Latching	Ø 24	IP40	None	TH414004					
	LEJ1	Latching	Ø 24	IP40	1 NO + 1 NC	TH414104					
	LEJ2	Latching	Ø 24	IP40	2 NO + 2 NC	TH414204					
	LEJ3	Latching	Ø 24	IP40	3 NO + 3 NC	TH414304					
Panel cut-out 22.5 mm	MHJ0	Momentary	Ø 30	IP65	None	TH404019					
	MHJ1	Momentary	Ø 30	IP65	1 NO + 1 NC	TH404119					
	MHJ2	Momentary	Ø 30	IP65	2 NO + 2 NC	TH404219					
	MHJ3	Momentary	Ø 30	IP65	3 NO + 3 NC	TH404319					
	LHJ0	Latching	Ø 30	IP65	None	TH414019					
	LHJ1	Latching	Ø 30	IP65	1 NO + 1 NC	TH414119					
	LHJ2	Latching	Ø 30	IP65	2 NO + 2 NC	TH414219					
	LHJ3	Latching	Ø 30	IP65	3 NO + 3 NC	TH414319					
Panel cut out 16.2 Actuator color	A0	White	18 × 24 mm	Mushroom	THXXXXXX WHT						
	A1	Yellow	18 × 24 mm	Mushroom	THXXXXXX YEL						
	A2	Green	18 × 24 mm	Mushroom	THXXXXXX GRN						
	A3	Blue	18 × 24 mm	Mushroom	THXXXXXX BLU						
	A4	Red	18 × 24 mm	Mushroom	THXXXXXX RED						
For Switch body (A)	A5	Black	18 × 24 mm	Mushroom	THXXXXXX BLK						
	For Switch body style (B)	C0	White	24 × 24 mm	Mushroom	THXXXXXX WHT					
		C1	Yellow	24 × 24 mm	Mushroom	THXXXXXX YEL					
		C2	Green	24 × 24 mm	Mushroom	THXXXXXX GRN					
C3		Blue	24 × 24 mm	Mushroom	THXXXXXX BLU						
C4		Red	24 × 24 mm	Mushroom	THXXXXXX RED						
	C5	Black	24 × 24 mm	Mushroom	THXXXXXX BLK						
For Switch body style (C)	E0	White	Ø 24 mm	Mushroom	THXXXXXX WHT						
	E1	Yellow	Ø 24 mm	Mushroom	THXXXXXX YEL						
	E2	Green	Ø 24 mm	Mushroom	THXXXXXX GRN						
	E3	Blue	Ø 24 mm	Mushroom	THXXXXXX BLU						
	E4	Red	Ø 24 mm	Mushroom	THXXXXXX RED						
	E5	Black	Ø 24 mm	Mushroom	THXXXXXX BLK						
Panel cut-out 22.5	H0	White	Ø 30 mm	Mushroom	THXXXXXX WHT						
	H1	Yellow	Ø 30 mm	Mushroom	THXXXXXX YEL						
	H2	Green	Ø 30 mm	Mushroom	THXXXXXX GRN						
	H3	Blue	Ø 30 mm	Mushroom	THXXXXXX BLU						
	H4	Red	Ø 30 mm	Mushroom	THXXXXXX RED						
	H5	Black	Ø 30 mm	Mushroom	THXXXXXX BLK						
Housing Color	N	Natural									
Illumination	X	Non illuminated									
Illumination color	X	Non illuminated									

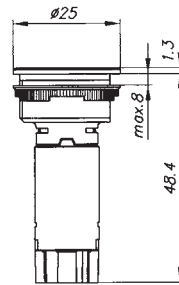
Assembled Push Button



Circuit diagram



Dimension



TP8

TP8

Panel cut-out (mm)	Ø 22.5
Characteristics	<ul style="list-style-type: none"> ■ momentary ■ sealed IP67 ■ round metal bezels ■ 1 NO + 1 NC, 2 NC, 2 NO ■ gold plated contact block
Rating	230 VAC, 6 A
Dimensions (mm)	Ø 25
Actuator	■ button and housing in different colors
Approvals	none



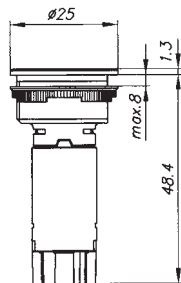
Popular products

Ordering Reference	Panel cut-out (mm)	Function	Actuator style	Terminals (mm)	Electrical rating
TP82MDOA30	Ø 22.5	Momentary	Non-illuminated Natural Aluminum	2.8 × 0.5 Faston	230 VAC 6 A

Specifications

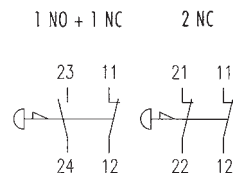
Mechanism	Momentary positive action with wiping contacts
Contact gap	>3 mm
Actuating force	Approximately 6.0N
Mounting	Central fixing with metal lock nut
Protection	IP67
Housing and actuator material	Anodised aluminum or stainless steel (upon request) Non-illuminated
Temperature range °C	-25°C to +55°C
Contact block	Supplied fitted
Contact block housing	Thermoplastic
Terminal material	Silver nickel with 0.4 µm gold plating
Contact resistance	<30mOhm
Number of contact blocks	1 NO + 1 NC or 2 NC or 2 NO (independent circuits)
Terminals	Faston - 2.8 mm × 0.5 mm, to DIN 46247

Dimensions



Panel cut-out 22.5 ± 0.1 mm

Circuit diagram



Recommended maximum electrical ratings

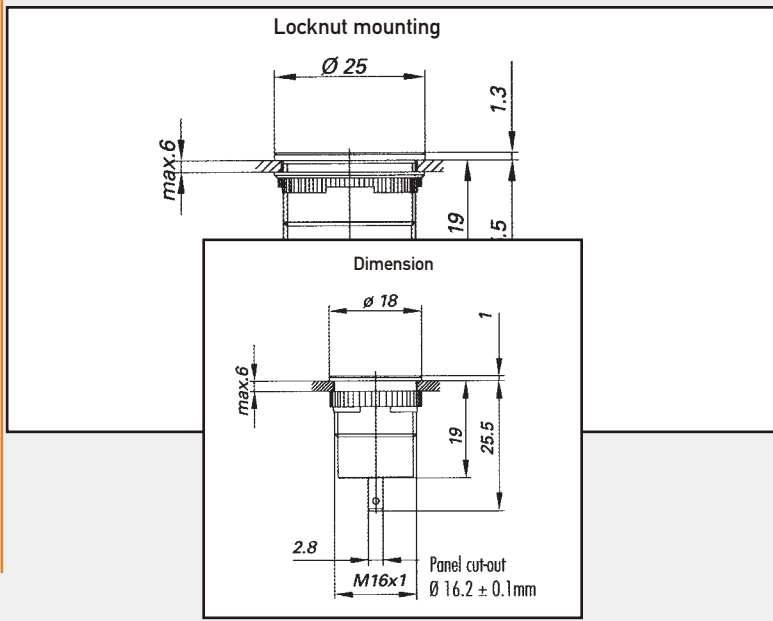
Voltage (max) 230 VAC	Resistive load (A) 6.0	Inductive load (A)	Approval IEC 947-5-1, AC15 – recommended circuit breaker C6A
Electrical life	20,000 cycles at 10A, 24V, DC13 50,000 cycles at 5A, 24V, DC13 100,000 cycles at 5A, 12V, DC13 50,000 cycles at 6A, 250V, AC12 300,000 cycles at 2.5A, 250V, AC12		

Ordering Reference

Basic type	TP8	Example: TP8 2 MD0A 3 0		
Panel cut-out	2 Ø 22.5 mm			
Switch body	MD0A Ø 25 mm Momentary switch IP67; 1NO; Flush Aluminum natural; faston 2.8 mm × 0.5 mm MD1A Ø 25 mm Momentary switch IP67; 1NO; Flush Aluminum yellow; faston 2.8 mm × 0.5 mm MD2A Ø 25 mm Momentary switch IP67; 1NO; Flush Aluminum green; faston 2.8 mm × 0.5 mm MD4A Ø 25 mm Momentary switch IP67; 1NO; Flush Aluminum red; faston 2.8 mm × 0.5 mm MD5A Ø 25 mm Momentary switch IP67; 1NO; Flush Aluminum black; faston 2.8 mm × 0.5 mm MD8A Ø 25 mm Momentary switch IP67; 1NO; Flush Aluminum dark blue; faston 2.8 mm × 0.5 mm	TH80750 X 00 X TH80750 X 10 X TH80750 X 20 X TH80750 X 40 X TH80750 X 50 X TH80750 X 80 X		
Contact (X)	3 Contact Block 1NO+1NC 4 Contact Block 2NC 5 Contact Block 2NO	←		
Actuator color (X)	0 Neutral 1 Yellow 2 Green 4 Red 5 Black 8 Dark blue	←		

Note: Stainless steel versions available upon request.

Short stroke Push Button



TP9

Panel cut-out (mm)	Ø 16.2 or Ø 22.5
Characteristics	<ul style="list-style-type: none"> ■ momentary short stroke switch ■ sealed IP65 or IP67 ■ round metal bezels ■ NO ■ snap-in mounting option Ø 22.5 mm (IP65 only)
Rating	50 VAC/VDC, 50 mA
Dimensions (mm)	Ø 18 Ø 25
Actuator	■ button and housing in different colors
Approvals	none



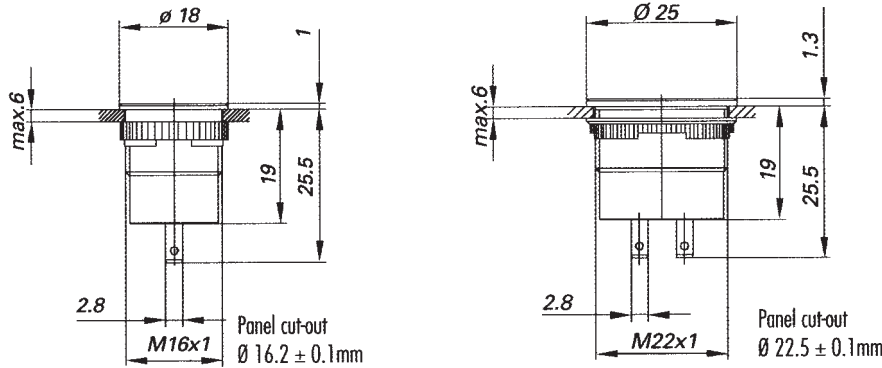
Popular products

Ordering Reference	Panel cut-out (mm)	Function	Actuator size (mm)	Actuator style	Environmental protection	Terminals (mm)	Electrical rating
TP92MFOA000	Ø 22.5	Momentary 1NO	Ø 25	Non-illuminated natural aluminum	IP67	2.8 × 0.5 faston	50 VAC/VDC, 50 mA
TP92MFOA002	Ø 22.5	Momentary 1NO	Ø 25	Non-illuminated green anodised aluminum	IP67	2.8 × 0.5 faston	50 VAC/VDC, 50 mA
TP92MFOA004	Ø 22.5	Momentary 1NO	Ø 25	Non-illuminated red anodised aluminum	IP67	2.8 × 0.5 faston	50 VAC/VDC, 50 mA
TP92MFOA005	Ø 22.5	Momentary 1NO	Ø 25	Non-illuminated black anodised aluminum	IP67	2.8 × 0.5 faston	50 VAC/VDC, 50 mA

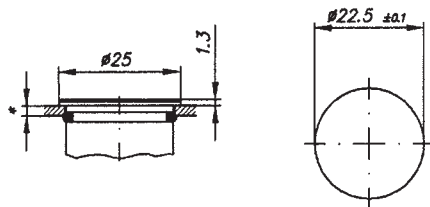
Specifications

Mechanism	Momentary with 1mm short-stroke action
Actuating force	3.5N maximum
Mounting	Central fixing with metal lock nut or front assembly snap-in
Protection	IP65 (snap-in) or IP67 (lock nut)
Housing and actuator material	Anodised aluminum or stainless steel (upon request)
Illumination	Non-illuminated versions available only
Temperature range °C	-30°C to +70°C
Mechanical life	>200,000 (18 mm switch), >500,000 (25 mm switch)
Number of contact blocks	1 NO
Terminals	Faston – 2.8 mm × 0.5 mm

Dimensions Locknut mounting



Snap-in mounting



Recommended maximum electrical ratings

Voltage (max)	Resistive load (A)
50 VAC	50 mA

Ordering Reference

Basic type	TP9	Example: TP9	1	MD0A	00
Panel cut-out	1	Ø 16.2mm			
Switch body	MD0A	Ø 18 mm Momentary switch IP67; 1NO; Flush Aluminum natural; faston 2.8mm × 0.5mm	TH921000	XX3	
	MD1A	Ø 18 mm Momentary switch IP67; 1NO; Flush Aluminum yellow; faston 2.8mm × 0.5mm	TH921001	XX3	
	MD2A	Ø 18 mm Momentary switch IP67; 1NO; Flush Aluminum green; faston 2.8mm × 0.5mm	TH921002	XX3	
	MD4A	Ø 18 mm Momentary switch IP67; 1NO; Flush Aluminum red; faston 2.8mm × 0.5mm	TH921004	XX3	
	MD5A	Ø 18 mm Momentary switch IP67; 1NO; Flush Aluminum black; faston 2.8mm × 0.5mm	TH921005	XX3	
	MD8A	Ø 18 mm Momentary switch IP67; 1NO; Flush Aluminum dark blue; faston 2.8mm × 0.5mm	TH921008	XX3	
Actuator Color (XX)	00	Neutral			
	01	Yellow			
	02	Green			
	04	Red			
	05	Black			
	08	Dark blue			

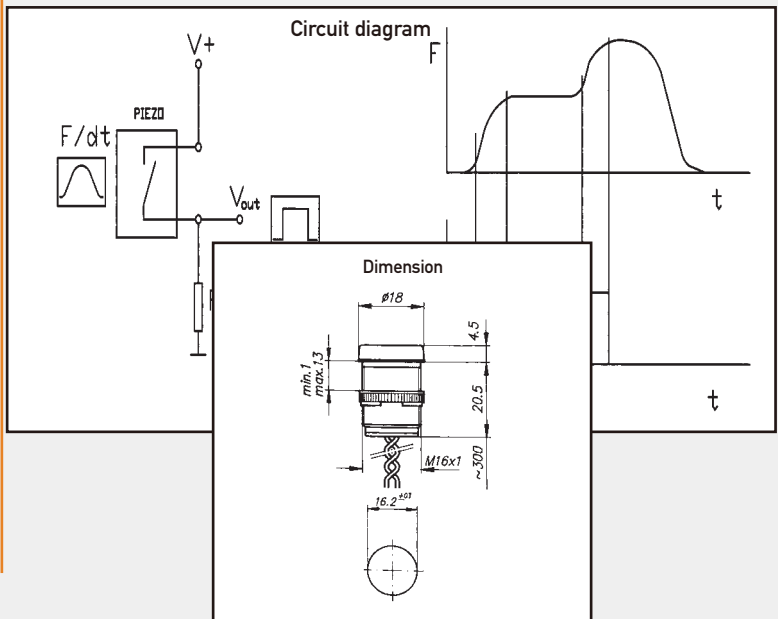
Stainless steel actuator and body styles, available upon request.

Ordering Reference

Basic type	TP9	Example: TP9		
Panel cut-out	2 Ø 22.5 mm	2	MF0A	0 00
Switch body	MF0A	Ø 25 mm Momentary switch IP67; 1NO; Flush Aluminum natural; faston 2.8mm × 0.5mm	TH920	X00 XX1
	MF1A	Ø 25 mm Momentary switch IP67; 1NO; Flush Aluminum yellow; faston 2.8mm × 0.5mm	TH920	X01 XX1
	MF2A	Ø 25 mm Momentary switch IP67; 1NO; Flush Aluminum green; faston 2.8mm × 0.5mm	TH920	X02 XX1
	MF4A	Ø 25 mm Momentary switch IP67; 1NO; Flush Aluminum red; faston 2.8mm × 0.5mm	TH920	X04 XX1
	MF5A	Ø 25 mm Momentary switch IP67; 1NO; Flush Aluminum black; faston 2.8mm × 0.5mm	TH920	X05 XX1
	MF8A	Ø 25 mm Momentary switch IP67; 1NO; Flush Aluminum dark blue; faston 2.8mm × 0.5mm	TH920	X08 XX1
Mounting (X)	0	Locknut (IP67)		
	4	Snap-in-mounting 1.5mm - 2.0 mm panel thickness IP65 only		
	5	Snap-in-mounting 2.0mm - 2.5 mm panel thickness IP65 only		
	6	Snap-in-mounting 2.5mm - 3.0 mm panel thickness IP65 only		
Actuator color (XX)	00	Neutral		
	01	Yellow		
	02	Green		
	04	Red		
	05	Black		
	08	Dark blue		

Stainless steel actuator and body styles, available upon request.

Piezo Push Button



TP7

Panel cut-out (mm) Ø 16.2, Ø 22.5, Ø 30.3, Ø 43.3

- Characteristics
- piezo technology
 - momentary
 - sealed IP68
 - with or without illumination, two colors
 - solid state output
 - NO

Rating 3 to 35 VAC/VDC, 200 mA

Dimensions (mm)
 Ø 18
 Ø 25
 Ø 36
 Ø 48

Actuator ■ housing in different colors

Approvals none



Popular products

Ordering Reference	Panel cut-out (mm)	Function	Actuator size (mm)	Actuator style	Environmental protection	Terminals	Electrical rating
TP71MD1B04XX	Ø 16.2	Momentary 1NO	Ø 18	Non-illuminated, red anodised aluminum	IP68	Prewired	35 VAC/VDC max, 200 mA
TP71MD1B02XX	Ø 16.2	Momentary 1NO	Ø 18	Non-illuminated, green anodised aluminum	IP68	Prewired	35 VAC/VDC max, 200 mA
TP71MD1B05XX	Ø 16.2	Momentary 1NO	Ø 18	Non-illuminated, black anodised aluminum	IP68	Prewired	35 VAC/VDC max, 200 mA
TP71MD1B00XX	Ø 16.2	Momentary 1NO	Ø 18	Non-illuminated, natural aluminum	IP68	Prewired	35 VAC/VDC max, 200 mA
TP72MF1B00XX	Ø 22.5	Momentary 1NO	Ø 25	Non-illuminated, natural aluminum	IP68	Prewired	35 VAC/VDC max, 200 mA
TP72MG4B00C2	Ø 22.5	Momentary 1NO	Ø 25	Green illumination natural aluminum	IP68	Molex style 5 pin	35 VAC/VDC max, 200 mA
TP72MG2B00C4	Ø 22.5	Momentary 1NO	Ø 25	Red illumination natural aluminum	IP68	Molex style 5 pin	35 VAC/VDC max, 200 mA

Specifications

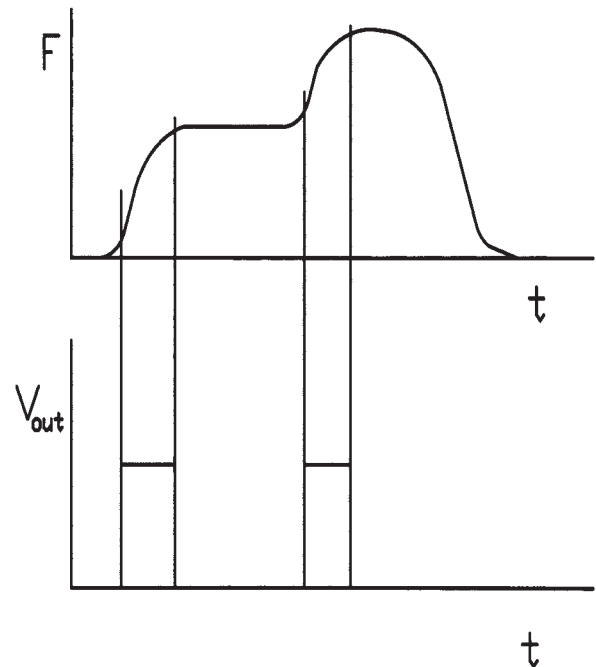
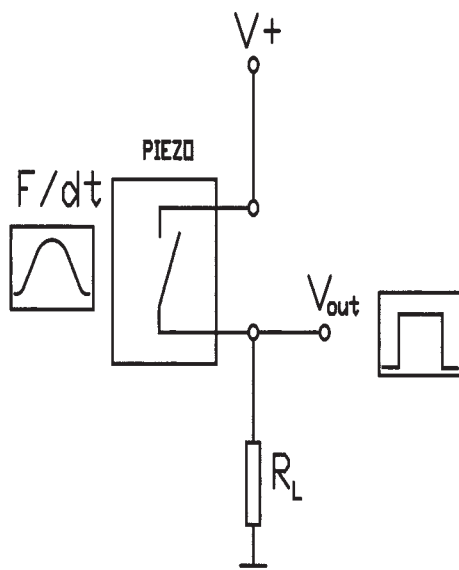
Mechanism	Piezo electronic, without auxilliary energy		
Actuating force	5N maximum at an actuating speed 500 to 1500 mm/s		
Closing impulse duration	10 to 1000 m/s - dependent on force and speed of actuation		
Mounting	Central fixing from the rear with metal lock nut		
Protection	IP68 (after installation)		
Housing and actuator material	Anodised aluminum and stainless steel		
Illumination	LED (18mm switch non-illuminated only)		
Temperature range °C	-40°C to +105°C (non-illuminated), -40°C to +85°C (illuminated)		
Life expectancy	>15 × 10 ⁶ cycles		
Contact resistance	<10 Ohm (on)		
Insulation resistance	>5M0hm (off)		
Terminals	Prewired; 2.8mm × 0.8mm faston; Molex-style 3,5 & 6 pin; AMP-style 4 pin		
Power consumption (illuminated types)	red or green:	12V IP = 40 mA	24V IF = 20 mA
	red/green:	12V IP = 2 × 20 mA	24V IF = 2 × 20 mA

Technical information

The piezo sensor converts pressure into voltage signals. These analogue voltage signals are then processed within the switch to form switching signals, using field effect transistors (FET).

Due to the internal resistor, the circuit state is dependent upon actuating force and speed, means of operation and the discharge time of the R-C system. Standard digital or relay technology can be employed to create individual timed delay, flip-flop and power amplification circuits.

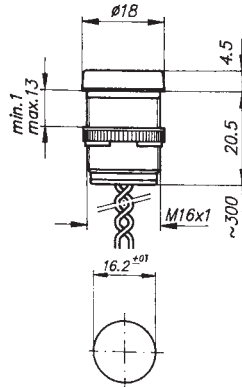
The circuit state diagram shows the approximate relationship between the force/time curve to the voltage circuit state:



Recommended maximum electrical ratings

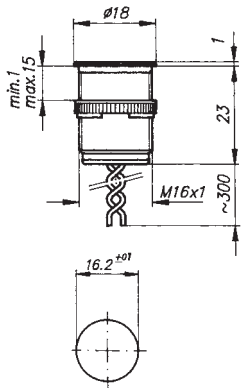
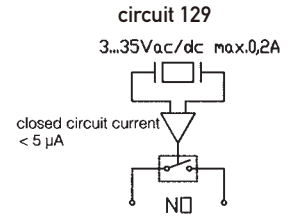
Voltage (max)	Resistive load (A)
3 to 35 VUC	0.2 A (0.7 pf)

Dimensions Non-illuminated

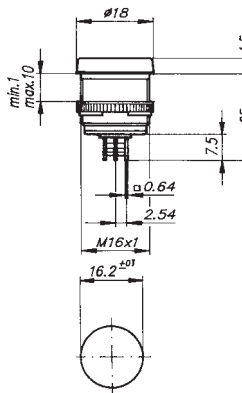
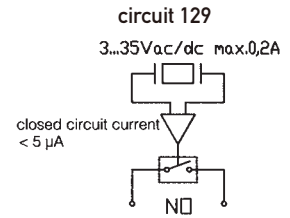


Ø 18, raised housing, prewired

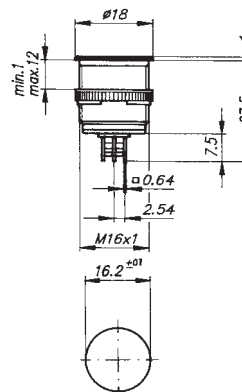
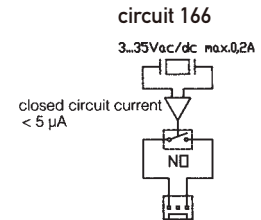
Circuit diagram



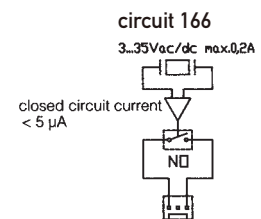
Ø 18, flush housing, prewired



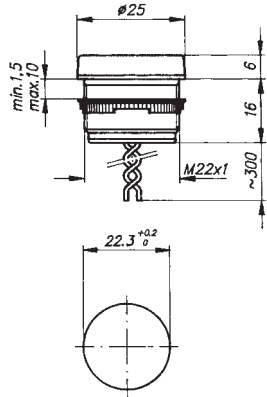
Ø 18, raised housing, Molex-style 3 pin



Ø 18, flush housing, Molex-style 3 pin

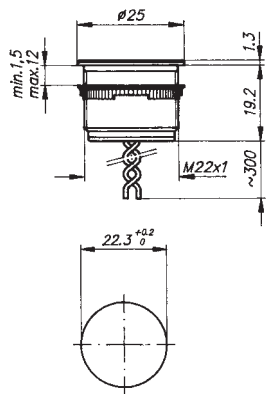
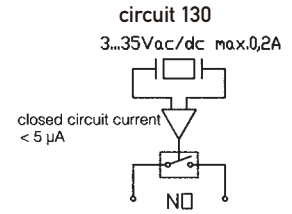


Dimensions Non-illuminated

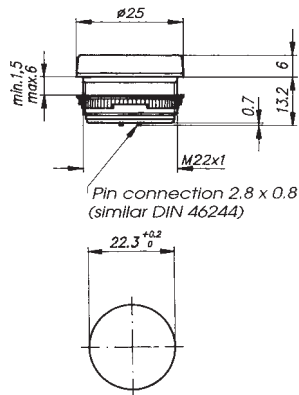
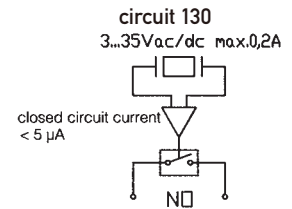


Ø 25, raised housing, prewired

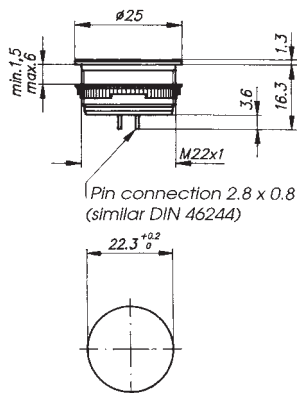
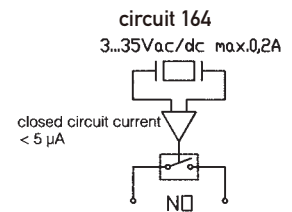
Circuit diagram



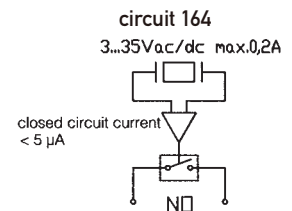
Ø 25, flush housing, prewired



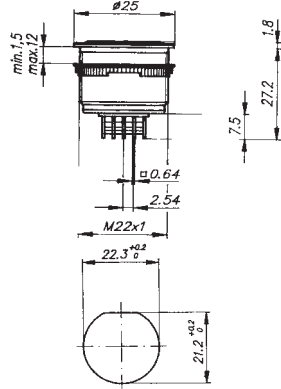
Ø 25, raised housing, solder connections 2.8 × 0.8



Ø 25, raised housing, solder connections 2.8 × 0.8

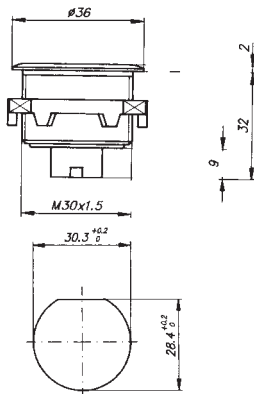
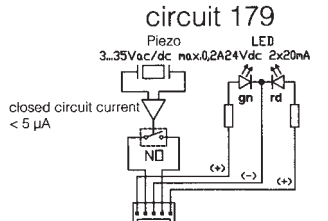
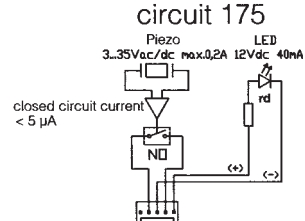
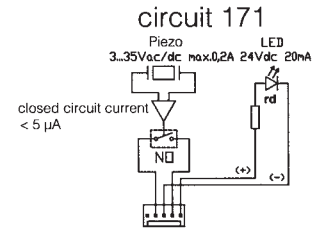
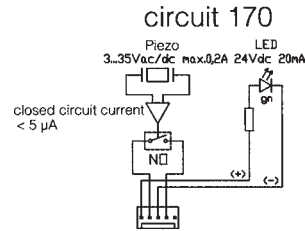
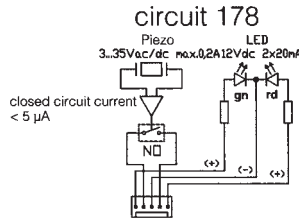
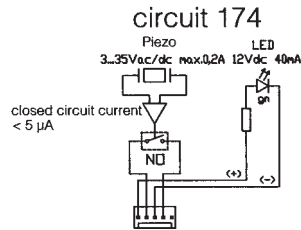


Dimensions Illuminated



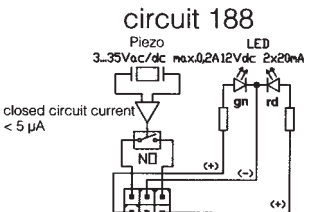
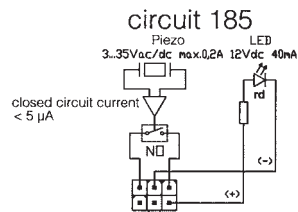
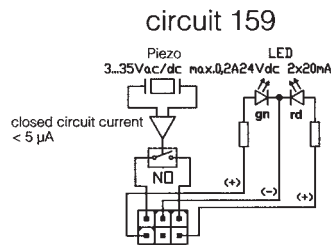
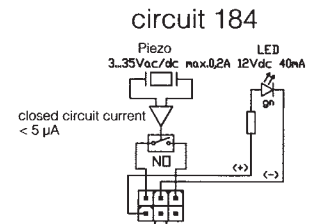
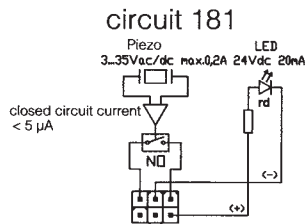
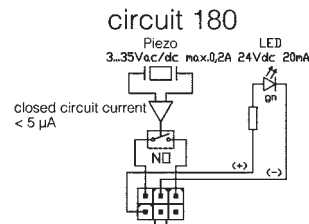
Ø 25, flush housing, Molex-style 5 pin

Circuit diagram

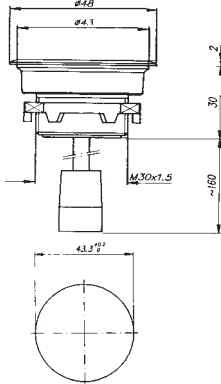


Ø 36, flush housing, Molex-style 6 pin

Circuit diagrams



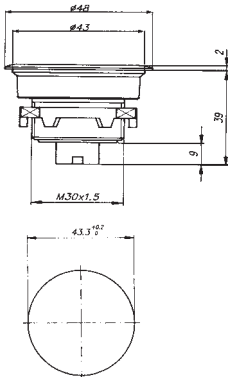
Dimensions Illuminated



Ø 48, flush housing, wired with round connector
AMP-style 4 pin

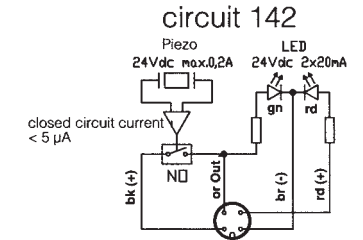
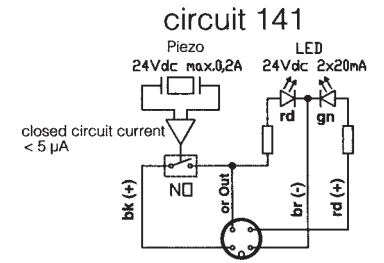
Internally wired visual indicator, red

Internally wired visual indicator, green

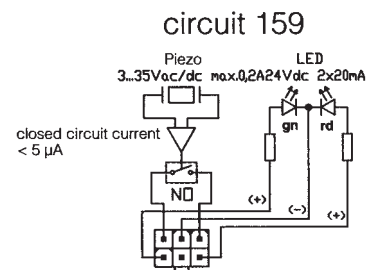
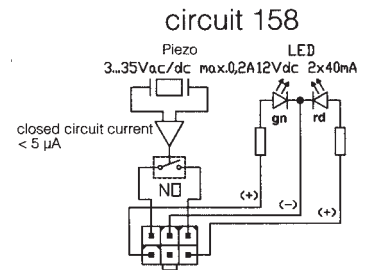


Ø 48, flush housing, Molex-style 6 pin

Circuit diagram



Circuit diagram



Ordering Reference

Example: TP7 1 MDIA 00 B 2

Basic type	TP7						
Panel cut-out	1	Ø 16.2 mm (for Actuator Ø 18 mm only)					
	2	Ø 22.5 mm (for Actuator Ø 25 mm only)					
		Function	Actuator	Housing	Connector	Environmental protection	Part No. color (XX)
Switch body	MD1A	Momentary 1NO; 35V / 0.2A	Ø 18 mm	Raised Aluminum	Prewired	IP68	TH7020XX129
	MD2A	Momentary 1NO; 35V / 0.2A	Ø 18 mm	Raised Aluminum	3 Pin MOLEX	IP68	TH7025XX166
	MD1B	Momentary 1NO; 35V / 0.2A	Ø 18 mm	Flush Aluminum	Prewired	IP68	TH7021XX129
	MD2B	Momentary 1NO; 35V / 0.2A	Ø 18 mm	Flush Aluminum	3 Pin MOLEX	IP68	TH7026XX166
Non-illuminated	MF1A	Momentary 1NO; 35V / 0.2A	Ø 25 mm	Raised Aluminum	Prewired	IP68	TH7030XX130
	MF2A	Momentary 1NC; 35V / 0.2A	Ø 25 mm	Raised Aluminum	Prewired	IP68	TH7030XX131
	MF4A	Momentary 1NO; 35V / 0.2A	Ø 25 mm	Raised Aluminum	2.8 × 0.8 mm	IP68	TH7035XX164
	MF1B	Momentary 1NO; 35V / 0.2A	Ø 25 mm	Flush Aluminum	Prewired	IP68	TH7031XX130
	MF2B	Momentary 1NC; 35V / 0.2A	Ø 25 mm	Flush Aluminum	Prewired	IP68	TH7031XX131
	MF4B	Momentary 1NO; 35V / 0.2A	Ø 25 mm	Flush Aluminum	2.8 × 0.8 mm	IP68	TH7036XX164
	Illuminated	MG1B	Momentary 1NO; 35V / 0.2A 12V/40mA LED red	Ø 25 mm	Flush Aluminum	5 pin MOLEX	IP68
MG2B		Momentary 1NO; 35V / 0.2A 24V/20mA LED red	Ø 25 mm	Flush Aluminum	5 pin MOLEX	IP68	TH7055XX171
MG3B		Momentary 1NO; 35V / 0.2A 12V/40mA LED green	Ø 25 mm	Flush Aluminum	5 pin MOLEX	IP68	TH7055XX174
MG4B		Momentary 1NO; 35V / 0.2A 24V/20mA LED green	Ø 25 mm	Flush Aluminum	5 pin MOLEX	IP68	TH7055XX170
MG5B		Momentary 1NO; 35V / 0.2A 12V/40mA LED red/green	Ø 25 mm	Flush Aluminum	5 pin MOLEX	IP68	TH7055XX178
MG6B		Momentary 1NO; 35V / 0.2A 24V/20mA LED red/green	Ø 25 mm	Flush Aluminum	5 pin MOLEX	IP68	TH7055XX179
Actuator color (XX)	00	Natural	} Please select appropriate color code reference to complete the switch part no. eg. TH702004129				
	01	Yellow					
	02	Green					
	04	Red					
	05	Black					
	08	Dark Blue					
Illumination	X	Non-illuminated					
	B	12V (for illuminated switch bodies only)					
	C	24V (for illuminated switch bodies only)					
Illumination color	X	Non-illuminated					
	2	Green LED (for illuminated switch bodies only)					
	4	Red LED (for illuminated switch bodies only)					
	9	Red/Green LED (for illuminated switch bodies only)					

Stainless steel versions, available upon request.

Circuit type:

The last 3 digits of part no. above indicate the circuit type in use. Please see pages 46 to 49 for respective circuit diagram.

i.e. TH 702 0XX 129 please refer to page 46

Basic type	TP7						Example: TP7	3	MH1B	00	B	4
Panel cut-out	3	Ø 30.3 mm (for Actuator Ø 36 mm only)										
	4	Ø 43.3 mm (for Actuator Ø 48 mm only)										
		Function	Actuator	Housing	Connector	Environmental protection	Part No. color (XX)					
Switch body Illuminated	MH1B	Momentary 1NO; 35V / 0.2 A 12V/40mA LED red	Ø 36 mm	Flush Aluminum	6 pin MOLEX	IP68	TH7065XX185					
	MH2B	Momentary 1NO; 35V / 0.2 A 24V/20mA LED red	Ø 36 mm	Flush Aluminum	6 pin MOLEX	IP68	TH7065XX181					
	MH3B	Momentary 1NO; 35V / 0.2 A 12V/40mA LED green	Ø 36 mm	Flush Aluminum	6 pin MOLEX	IP68	TH7065XX184					
	MH4B	Momentary 1NO; 35V / 0.2 A 24V/20mA LED green	Ø 36 mm	Flush Aluminum	6 pin MOLEX	IP68	TH7065XX180					
	MH5B	Momentary 1NO; 35V / 0.2 A 12V/2×20mA LED red/green	Ø 36 mm	Flush Aluminum	6 pin MOLEX	IP68	TH7065XX188					
	MH6B	Momentary 1NO; 35V / 0.2 A 24V/2×20mA LED red/green	Ø 36 mm	Flush Aluminum	6 pin MOLEX	IP68	TH7065XX159					
Illuminated	MJ1B	Momentary 1NO; 35V, 0.2 A 24V, 2×20 mA LED green/red	Ø 48 mm	Flush Aluminum	6 pin MOLEX	IP68	TH7062XX159					
	MJ2B	Momentary 1NO; 35V, 0.2 A 12V, 2×40 mA LED green/red	Ø 48 mm	Flush Aluminum	6 pin MOLEX	IP68	TH7062XX158					
	MJ3B	Momentary 1NO; 24V, 0.2 A 24V, 2×20 mA LED red/green	Ø 48 mm	Flush Aluminum	4 pin AMP	IP68	TH7062XX141					
	MJ4B	Momentary 1NO; 24V, 0.2 A 24V, 2×20 mA LED green/red	Ø 48 mm	Flush Aluminum	4 pin AMP	IP68	TH7062XX142					
Actuator color (XX)	00	Natural	} Please select appropriate color code reference to complete the switch part no. above eg. TH706502185									
	01	Yellow										
	02	Green										
	04	Red										
	05	Black										
	08	Dark Blue										
Illumination	B	12V										
	C	24 V)										
Illumination color	2	Green LED										
	4	Red LED										
	9	Red/Green LED										

Stainless steel versions, available upon request.

Circuit type:

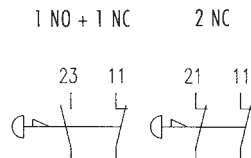
The last 3 digits of part no. above indicate the circuit type in use. Please see pages 46 to 49 for respective circuit diagram.

i.e. TH 702 0XX 129 please refer to page 46

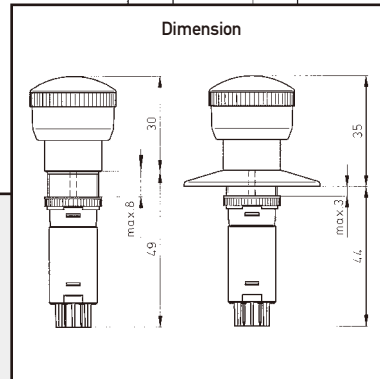
Emergency Stop



Circuit diagram



Dimension



TE8

Panel cut-out (mm)	Ø 16.2 or Ø 22.5
Characteristics	<ul style="list-style-type: none"> ■ meets EN418 directives (Ø 27 mm only) ■ sealed IP66 or IP67 ■ rotary, pull or key reset ■ yellow disk bezel (optional) ■ 1NO + 1 NC or 2 NC
Rating	250 VAC, 6 A
Dimensions (mm)	Ø 27 Ø 40
Actuator	<ul style="list-style-type: none"> ■ red mushroom cap (Ø 27 mm) ■ reset by KABA key (Ø 40 mm)
Approvals	IEC 947-5-1/947-5-5 (Ø 27 mm only)



Popular products

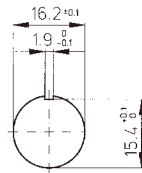
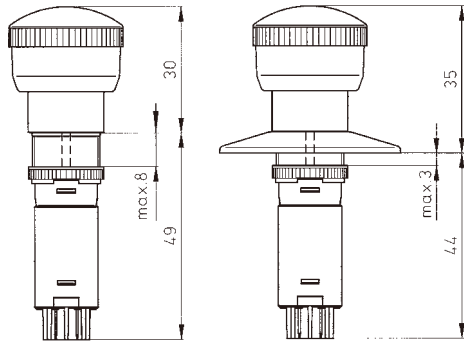
Ordering Reference	Panel cut-out (mm)	Function	Actuator style (mm)	Environmental protection	Terminals (mm)	Electrical rating
TE82KJB1XX	Ø 22.5	Key release 1NO + 1NC	Ø 40	IP40	2.8 × 0.5 faston	250 VAC, 6A
TE81RGP2A1	Ø 16.2	Rotary release 2NC	Ø 27	IP67	2.8 × 0.5 faston	250 VAC, 6A

Specifications

Mechanism	Momentary positive action with wiping contacts
Contact gap	>3 mm
Actuating force	Approximately 25 N
Mounting	Central fixing with metal lock nut (E switch) and Anti-rotation device on key (reset switch)
Protection	IP67
Bezel material	Thermoplastic or nickel-plated brass
Lens material	Polycarbonate
Illumination	Non-illuminated
Temperature range °C	-25°C to +55°C
Contact block	Supplied fitted
Contact block housing	Thermoplastic
Terminal material	Silver nickel with 0.4 µm gold plating
Contact resistance	<30 mOhm
Number of contact blocks	1 NO + 1 NC or 2 NC – independent circuits
Terminals	Faston - 2.8 mm × 0.5 mm, to DIN 46247

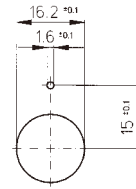
Dimensions Emergency stop switches according to EN 418 IP66/IP67

Circuit diagram



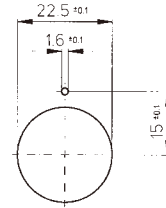
for back-ground decal

for panel cut-out
Ø 16.2 mm



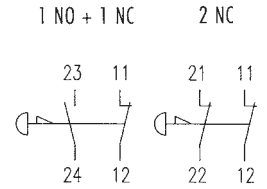
for back-ground disc

for panel cut-out
Ø 16.2 mm



for adapter set

for panel cut-out
Ø 16.2 mm



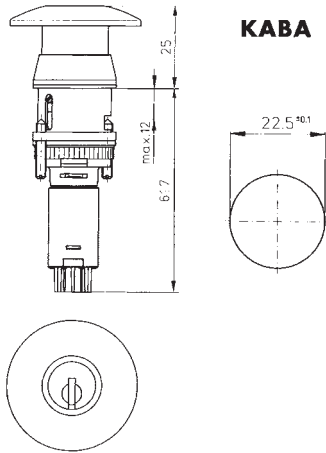
mushroom cap × 27 mm, red
disc bezel, yellow plastic, × 43 mm

Recommended maximum electrical ratings

Voltage (max)	Resistive load (A)	Inductive load (A)	Approval
230 VAC	6.0		IEC 947-5-1, AC15 - recommended circuit breaker C6A

Electrical life	20,000 cycles at 10A, 24V, DC13
	50,000 cycles at 5A, 24V, DC13
	100,000 cycles at 5A, 12V, DC13
	50,000 cycles at 6A, 250V, AC12
	300,000 cycles at 2.5A, 250V, AC12

Dimensions Mushroom switches with key reset IP40



mushroom cap × 40 mm, red
bezel × 29 mm

These switches can be integrated in security key code plans. The following security systems are available at a surcharge: KABA 8, KABA 20, KABA STAR. Extra registered keys are only available from the cylinder manufacturer.

model with KABA 8-cylinder
standard key code 317 000

Cylinder no.
for key code plans 1063 B

Ordering Reference

Basic type	TE8			Example: TE8	1	KJB1	A1
Panel cut-out	1	Ø 16.2 mm for E-Stop with rotary and pull reset					
	2	Ø 22.5 mm only for E-Stop with key release					
Switch body	Function	Actuator style	Contact block	Part No.			
	KJB1 E-Stop with key reset; 1NO + 1NC	Ø 40 mm red; IP40; no print	1NO+1NC; 2.8 × 0.5mm	TH885503100			
	KJB2 E-Stop with key reset; 2NC	Ø 40 mm red; IP40; no print	2NC; 2.8 × 0.5mm	TH885504100			
	PGP1 E-Stop with pull reset; conforms to EN 418	Ø 27 mm red; IP67; printed	1NO+1NC; 2.8 × 0.5mm	TH881203000			
	PGP2 E-Stop with pull reset; conforms to EN 418	Ø 27 mm red; IP67; printed	2NC; 2.8 × 0.5mm	TH881204000			
	RGP1 E-Stop with rotary reset; conforms to EN 418	Ø 27 mm red; IP67; printed	1NO+1NC; 2.8 × 0.5mm	TH880203000			
	RGP2 E-Stop with rotary reset; conforms to EN 418	Ø 27 mm red; IP67; printed	2NC; 2.8 × 0.5mm	TH880204000			
Disk bezel	XX	Not available for key reset version					
	A1	Yellow plastic disk Ø 43 mm with printing	For 16.2mm panel cut out	TH893002000			
	B1	Yellow plastic disk Ø 43 mm without printing	For 16.2mm panel cut out	TH893003000			
	C1	Yellow self adhesive label Ø 43 mm with printing	For 16.2mm panel cut out	TH893011000			
	D1	Yellow self adhesive label Ø 43 mm without printing	For 16.2mm panel cut out	TH893010000			
	E1	Yellow plastic adapterset Ø 43 mm with printing	For 22.5mm panel cut out	TH893000000			
	F1	Yellow plastic adapterset Ø 43 mm without printing	For 22.5mm panel cut out	TH893001000			

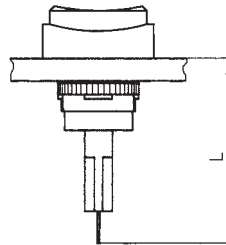
Indicators



Circuit diagram



Dimension



TI2

Panel cut-out (mm)	Ø 16.2 or Ø 22.5
Characteristics	<ul style="list-style-type: none"> ■ illuminated ■ sealed IP40, IP65 or IP67 ■ wide range of bezels ■ midget grooved lamp/LED
Rating	max. 60 VAC / VDC
Dimensions (mm)	18 × 24 18 × 18 Ø 18 Ø 25
Actuator	■ lenses in different shapes and colors
Approvals	UL, CSA, VDE

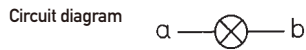


Popular products

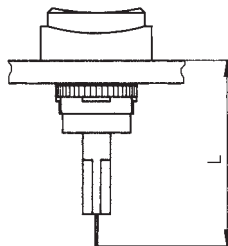
Ordering Reference	Panel cut-out (mm)	Function	Actuator style (mm)	Environmental Protection
TI21VAAF4CN	Ø 16.2	Visual	18 × 24	IP40
TI22VFAF4CN	Ø 22.5	Visual	Ø 25	IP65

Specifications

Mounting	Central fixing with metal lock nut
Protection	IP40, IP65, IP67
Bezel material	Thermoplastic or anodized aluminum alloy
Lens material	Polycarbonate - engravable
Illumination	T1 ¼ midget grooved lamps - incandescent lamps , LEDs, multi LEDs 60 V, 1.2 W maximum Lamp contact a = anode (+), b = cathode (-) Appropriate safety regulations should be respected when using the indicator light.
Temperature range °C	-25°C to +85°C
Terminals	Solder – suitable for wire diameter 1 × 1.00 mm ² (braided), 2 × 0.75 mm (stranded) Faston – 2.8 mm × 0.5 mm
Vibration resistance	1.5 mm pp amplitude at 55 Hz

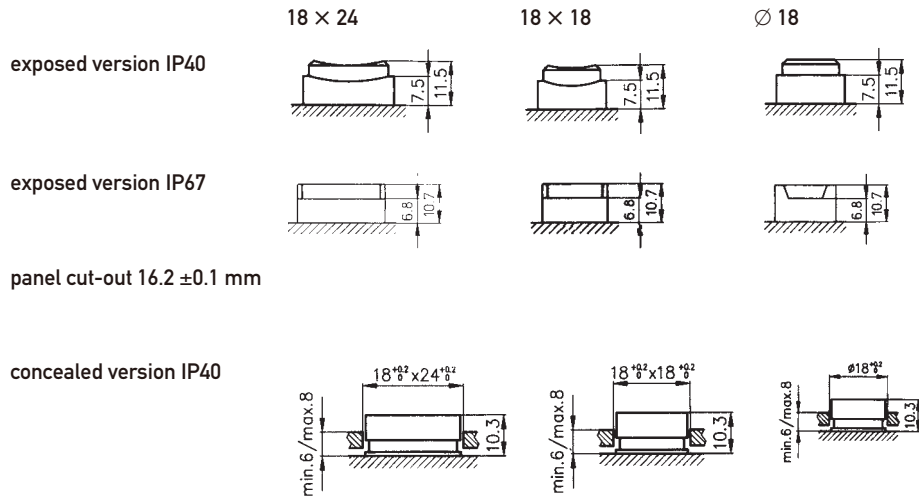


Dimensions

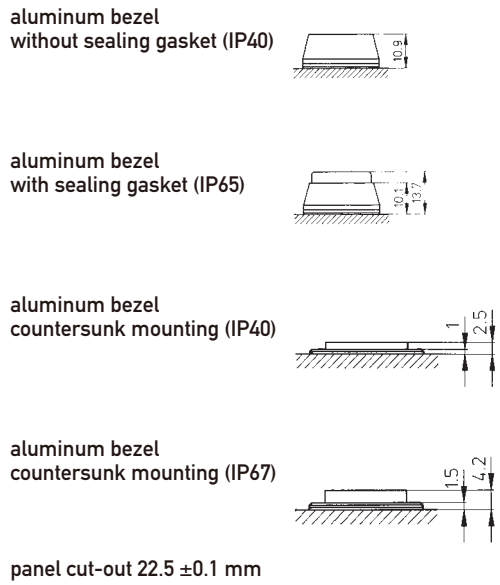


Length in mm	
plastic bezels	38 mm
countersunk mounting bezels	40 mm
aluminum bezels	48 mm
countersunk mounting	

Plastic bezel and lens heights in mm (switch off position)



Dimensions Aluminum bezel ∅ 25, Lens heights in mm (switch off position)



front panel thickness	plastic bezel 1	1.0 to 6.5 mm, 1.0 to 5.0 mm
	aluminum bezel	1.0 to 5.0 mm
	countersunk mounting	2.0 to 15.0 mm

Ordering Reference

Basic type	TI2				Example: TI2	1	VAA	F0	A	N
Panel cut-out	1				Ø 16.2 mm					
Switch body	Function	Actuator	Housing (plastic)		Part No.					
	VAA Visual	18 × 24 mm	Exposed; IP40; faston		TH551008000					
	VAL Visual	18 × 24 mm	Exposed; IP40; solder		TH551108000					
	VAD Visual	18 × 24 mm	Exposed; IP67; faston		TH551015000					
	VAO Visual	18 × 24 mm	Exposed; IP67; solder		TH551115000					
	VAB Visual	18 × 24 mm	Concealed; IP40; faston		TH551002000					
	VAM Visual	18 × 24 mm	Concealed; IP40; solder		TH551102000					
	VBA Visual	18 × 18 mm	Exposed; IP40; faston		TH553008000					
	VBL Visual	18 × 18 mm	Exposed; IP40; solder		TH553108000					
	VBC Visual	18 × 18 mm	Exposed; IP67; faston		TH553015000					
	VBN Visual	18 × 18 mm	Exposed; IP67; solder		TH553115000					
	VBB Visual	18 × 18 mm	Concealed; IP40; faston		TH553002000					
	VBM Visual	18 × 18 mm	Concealed; IP40; solder		TH553102000					
	VCA Visual	Ø 18	Exposed; IP40; faston		TH555008000					
	VCL Visual	Ø 18	Exposed; IP40; solder		TH555108000					
	VCC Visual	Ø 18	Exposed; IP67; faston		TH555015000					
	VCN Visual	Ø 18	Exposed; IP67; solder		TH555115000					
	VCB Visual	Ø 18	Concealed; IP40; faston		TH555002000					
	VCM Visual	Ø 18	Concealed; IP40; solder		TH555102000					
	Lens transparent			For body style	For body style	For body style				
		VAA/VAL (IP40)	VAB/VAM (IP40)	VAD/VAO (IP67)						
F0		White	TH461021000	TH461017000	TH561011000					
F1		Yellow	TH461121000	TH461117000	TH561111000					
F2		Green	TH461221000	TH461217000	TH561211000					
F3		Blue	TH461321000	TH461317000	TH561311000					
F4		Red	TH461421000	TH461417000	TH561411000					
F6		Orange	TH461621000	TH461617000	TH561611000					
		For body style	For body style	For body style						
		VBA/VBL (IP40)	VBB/VBM (IP40)	VBC/VBN (IP67)						
F0		White	TH463021000	TH463018000	TH563011000					
F1		Yellow	TH463121000	TH463118000	TH563111000					
F2		Green	TH463221000	TH463218000	TH563211000					
F3		Blue	TH463321000	TH463318000	TH563311000					
F4		Red	TH463421000	TH463418000	TH563411000					
F6		Orange	TH463621000	TH463618000	TH563611000					
		For body style	For body style	For body style						
		VCA/VCL (IP40)	VCB/VCM (IP40)	VCC/VCN (IP67)						
F0		White	TH465021000	TH465015000	TH565011000					
F1		Yellow	TH465121000	TH465115000	TH565111000					
F2		Green	TH465221000	TH465215000	TH565211000					
F3		Blue	TH465321000	TH465315000	TH565311000					
F4		Red	TH465421000	TH465415000	TH565411000					
F6		Orange	TH465621000	TH465615000	TH565611000					
Illumination	A	6V								
	B	12V								
	C	24V								
	F	48V								
Illumination color	N	Incandescent lamp	6V, 200 mA TH590000000	12V, 80 mA TH590001000	24V, 50 mA TH590006000	48V, 25 mA TH590004000				
	1	Yellow LED	6V AC/DC, 45 mA TH590231000	12V AC/DC, 25 mA TH590234000	24V AC/DC, 12.5 mA TH590237000	48V AC/DC, 12.5 mA TH590240000				
	2	Green LED	TH590232000	TH590235000	TH590238000	TH590241000				
	4	Red LED	TH590230000	TH590233000	T H590236000	TH590239000				

Acoustic versions available upon request

Ordering Reference

Basic type	TI2				Example: TI2	2	VFA	F0	A	N	
Panel cut-out	2				Ø 22.5 mm						
Switch body		Function	Actuator style	Housing	Part No.						
	VFA	Visual	Ø 25	Exposed plastic; IP65; faston	TH555020000						
	VFB	Visual	Ø 25	Exposed plastic; IP65; solder	TH555120000						
	VFC	Visual	Ø 25	Exposed aluminum; IP40/IP65*; faston	TH555018000						
	VFD	Visual	Ø 25	Exposed aluminum; IP40/IP65*; solder	TH555118000						
	VFE	Visual	Ø 25	Exposed aluminum; IP65 with silicon cap; faston	TH555033000						
	VFF	Visual	Ø 25	Exposed aluminum; IP65 with silicon cap; solder	TH555133000						
	VFG	Visual	Ø 25	Flush-aluminum; IP40; faston	TH555050000						
VFH	Visual	Ø 25	Flush-aluminum; IP40; solder	TH555150000							
VFJ	Visual	Ø 25	Flush-aluminum; IP67; faston	TH555051000							
VFK	Visual	Ø 25	Flush-aluminum; IP67; solder	TH555151000							
Lens transparent				For body style	VFC/VFD	With sealing ring					
	F0	White		VFA/VFB (IP65)	VFG/VFH (IP40/IP65)	VFE/VFF (IP65)	VFJ/VFK (IP67)				
	F1	Yellow		TH565024000	TH465015000	TH465001000	TH565025000				
	F2	Green		TH565124000	TH465115000	TH465101000	TH565125000				
	F3	Blue		TH565224000	TH465215000	TH465201000	TH565225000				
	F4	Red		TH565324000	TH465315000	TH465301000	TH565325000				
	F6	Orange		TH565424000	TH465415000	TH465401000	TH565425000				
Illumination	A	6V									
	B	12V									
	C	24V									
	F	48V									
Illumination color	N	Incandescent lamp	6V, 200 mA TH590000000	12V, 80 mA TH590001000	24V, 50 mA TH590006000	48V, 25 mA TH590004000					
	1	Yellow LED	6V AC/DC, 45 mA TH590231000	12V AC/DC, 25 mA TH590234000	24V AC/DC, 12.5 mA TH590237000	48V AC/DC, 12.5 mA TH590240000					
	2	Green LED	TH590232000	TH590235000	TH590238000	TH590241000					
	4	Red LED	TH590230000	TH590233000	TH590236000	TH590239000					

Acoustic versions available upon request

TI5

TI5

Panel cut-out (mm)	Ø 16.2 or Ø 22.5
Characteristics	<ul style="list-style-type: none">■ illuminated■ sealed IP40 or IP65■ wide range of bezels■ midjet grooved lamp/LED
Rating	max. 60 VAC/VDC
Dimensions (mm)	18 × 24 18 × 18 Ø 18 Ø 25
Actuator	■ lenses in different shapes and colors
Approvals	UL, CSA, VDE



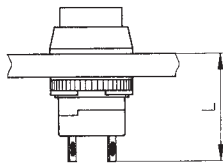
Popular products

Ordering Reference	Panel cut-out (mm)	Function	Actuator style (mm)	Environmental Protection
TI51VALA4CN	Ø 16.2	Visual	18 × 24	IP40
TI52VFSF4CN	Ø 22.5	Visual	Ø 25	IP65

Specifications

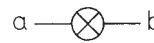
Mounting	Central fixing with metal lock nut
Protection	IP40, IP65
Bezel material	Thermoplastic or anodized aluminum alloy
Lens material	Polycarbonate – engravable
Illumination	T1 ¾ midget grooved lamps – incandescent lamps , LEDs, multi LEDs 60 V, 1.2 W maximum Lamp contact a = anode (+), b = cathode (-) Appropriate safety regulations should be respected when using the indicator light.
Temperature range °C	-25°C to +85°C
Terminal material	Silver alloy with 2 µm silver plating, 4 µm gold plating
Terminals	Patented flexible solder - suitable for wire diameter 2 × 1.00 mm ² (braided), 4 × 0.75 mm (stranded)
Vibration resistance	1.5 mm pp amplitude at 55 Hz

Dimensions

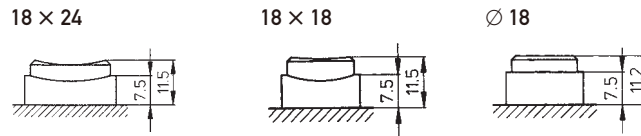


Length in mm	
plastic bezels	23.5
countersunk mounting bezels	22.5
aluminum bezels	32.0
countersunk mounting	

Circuit diagram



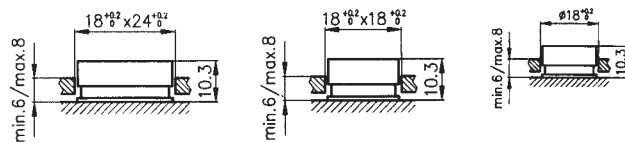
Plastic bezel and lens heights in mm (switch off position)



exposed version IP 40

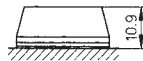
panel cut-out 16.2 ±0.1 mm

concealed version IP40

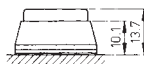


Aluminum bezel Ø 25 and lens height in mm (switch off position)

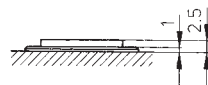
aluminum bezel
without sealing gasket (IP40)



aluminum bezel
with sealing gasket (IP65)



aluminum bezel
countersunk mounting (IP40)



panel cut-out 22.5 ±0.1 mm

front panel thickness	plastic bezel (Ø 18 mm)	1.0 to 5.5 mm
	aluminum bezel (Ø 25 mm)	1.0 to 5.0 mm
	countersunk mounting (Ø 25 mm)	2.0 to 15.0 mm

Ordering Reference

Basic type	TI5					Example: TI5	1	VAL	A0	A	N
Panel cut-out	1					Ø 16.2 mm					
Switch body (A)	VAL	Function	Actuator style	Housing (plastic)	Part No.						
	VAM	Visual	18 × 24 mm	Exposed; IP40; solder	TH55008000						
		Visual	18 × 24 mm	Concealed; IP40; solder	TH550037000						
(B)	VBL	Visual	18 × 18 mm	Exposed; IP40; solder	TH552008000						
	VBM	Visual	18 × 18 mm	Concealed; IP40; solder	TH552037000						
(C)	VDL	Visual	Ø 18 mm	Exposed; IP40; solder	TH554008000						
	VDM	Visual	Ø 18 mm	Concealed; IP40; solder	TH554037000						
Lens, transparent For Switch body style (A)	A0	White	Exposed 15 × 21 mm	Exposed TH461021000	Concealed 18 × 24 mm	Concealed TH461017000					
	A1	Yellow	15 × 21 mm	TH461121000	18 × 24 mm	TH461117000					
	A2	Green	15 × 21 mm	TH461221000	18 × 24 mm	TH461217000					
	A3	Blue	15 × 21 mm	TH461321000	18 × 24 mm	TH461317000					
	A4	Red	15 × 21 mm	TH461421000	18 × 24 mm	TH461417000					
	A6	Orange	15 × 21 mm	TH461621000	18 × 24 mm	TH461617000					
	For Switch body style (B)	B0	White	15 × 15 mm	TH463021000	18 × 18 mm	TH463018000				
B1		Yellow	15 × 15 mm	TH463121000	18 × 18 mm	TH463118000					
B2		Green	15 × 15 mm	TH463221000	18 × 18 mm	TH463218000					
B3		Blue	15 × 15 mm	TH463321000	18 × 18 mm	TH463318000					
B4		Red	15 × 15 mm	TH463421000	18 × 18 mm	TH463418000					
B6		Orange	15 × 15 mm	TH463621000	18 × 18 mm	TH463618000					
For Switch body style (C)	D0	White	Ø 15 mm	TH465021000	Ø 18 mm	TH465015000					
	D1	Yellow	Ø 15 mm	TH465121000	Ø 18 mm	TH465115000					
	D2	Green	Ø 15 mm	TH465221000	Ø 18 mm	TH465215000					
	D3	Blue	Ø 15 mm	TH465321000	Ø 18 mm	TH465315000					
	D4	Red	Ø 15 mm	TH465421000	Ø 18 mm	TH465415000					
	D6	Orange	Ø 15 mm	TH465621000	Ø 18 mm	TH465615000					
Illumination	X	Non illuminated									
	A	6V									
	B	12V									
	C	24V									
	F	48V									
Illumination color	X	Non illuminated									
	N	Incandescent lamp									
			6V, 200 mA TH590000000	12V, 80 mA TH590001000	24V, 50 mA TH590006000	48V, 25 mA TH590004000					
	1	Yellow LED	6V AC/DC, 45 mA TH590231000	12V AC/DC, 25 mA TH590234000	24V AC/DC, 12.5 mA TH590237000	48V AC/DC, 12.5 mA TH590240000					
	2	Green LED	TH590232000	TH590235000	TH590238000	TH590241000					
	4	Red LED	TH590230000	TH590233000	TH590236000	TH590239000					

Acoustic versions available upon request

Ordering Reference

Basic type	T15			Example: T15 2 VFP F0 A N			
Panel cut-out	2 Ø 22.5 mm						
Switch body	VFP Visual	Function Ø 25 mm	Actuator style Exposed aluminum; IP40; solder	Housing (Aluminum)	Part No. TH554018000		
	VFQ Visual	Ø 25 mm	Exposed aluminum; IP65; solder		TH554018000		
	VFR Visual	Ø 25 mm	Exposed aluminum; IP65* with silicon cap; solder		TH554033000		
	VFS Visual	Ø 25 mm	Flush-aluminum; IP40; solder		TH554050000		
Lens transparent Only for Visual Indicators	F0 White	Ø 18		Exposed IP40 /IP65 Flush IP40	Exposed IP65 with sealing ring		
	F1 Yellow	Ø 18		TH465015000	TH465001000		
	F2 Green	Ø 18		TH465115000	TH465101000		
	F3 Blue	Ø 18		TH465215000	TH465201000		
	F4 Red	Ø 18		TH465315000	TH465301000		
	F6 Orange	Ø 18		TH465415000	TH465401000		
Illumination	X	Non illuminated					
	A	6V					
	B	12V					
	C	24V					
Illumination color	X	Non illuminated					
	N	Incandescent lamp		6V, 200 mA TH590000000	12V, 80 mA TH590001000	24V, 50 mA TH590006000	48V, 25 mA TH590004000
	1	Yellow LED	6V AC/DC, 45 mA TH590231000	12V AC/DC, 25 mA TH590234000	24V AC/DC, 12.5 mA TH590237000	48V AC/DC, 12.5 mA TH590240000	
	2	Green LED	TH590232000	TH590235000	TH590238000	TH590241000	
	4	Red LED	TH590230000	TH590233000	TH590236000	TH590239000	

Acoustic versions available upon request

TI9

TI9

Panel cut-out (mm)	Ø 22.5
Characteristics	<ul style="list-style-type: none"> ■ illuminated ■ sealed IP67 ■ round metal bezels ■ red LED ■ green LED ■ red-green LED
Rating	24 VDC 20 mA
Dimensions (mm)	Ø 25
Actuator	■ aluminum housing in different colors
Approvals	none



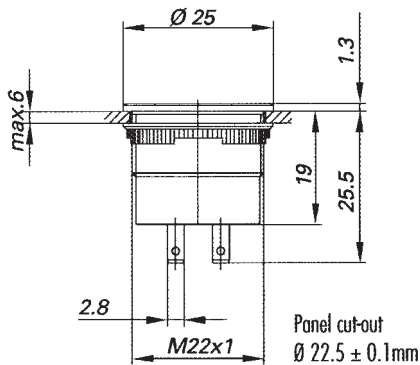
Popular products

Ordering Reference	Panel cut-out (mm)	Function	Actuator style (mm)	Environmental Protection
TI92VFOA500	Ø 22.5	Visual	Ø 25	IP67

Specifications

Mounting	Central fixing with metal lock nut
Protection	IP67
Housing and actuator material	Anodised aluminum or stainless steel (upon request)
Temperature range °C	-30°C to +70°C
Terminals	Faston - 2.8mm × 0.5mm

Dimensions

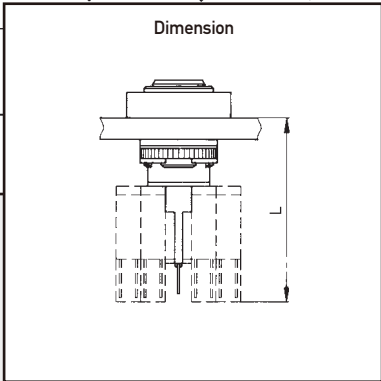
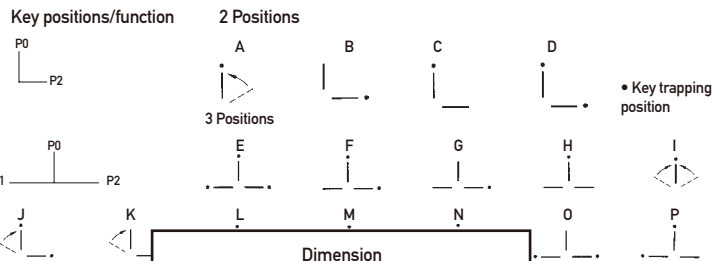


Ordering Reference

Basic type	TI9	Example: TI9	2	VFOA	504
Panel cut-out	2	Ø 22.5 mm			
Switch body	VFOA	Ø 25 mm Visual Indicator IP67; 1NO; Flush Aluminum natural; faston 2.8 mm × 0.5 mm		TH920000	XXX
	VF1A	Ø 25 mm Visual Indicator IP67; 1NO; Flush Aluminum yellow; faston 2.8 mm × 0.5 mm		TH920001	XXX
	VF2A	Ø 25 mm Visual Indicator IP67; 1NO; Flush Aluminum green; faston 2.8 mm × 0.5 mm		TH920002	XXX
	VF4A	Ø 25 mm Visual Indicator IP67; 1NO; Flush Aluminum red; faston 2.8 mm × 0.5 mm		TH920004	XXX
	VF5A	Ø 25 mm Visual Indicator IP67; 1NO; Flush Aluminum black; faston 2.8 mm × 0.5 mm		TH920005	XXX
	VF8A	Ø 25 mm Visual Indicator IP67; 1NO; Flush Aluminum dark blue; faston 2.8 mm × 0.5 mm		TH920008	XXX
Illumination (XXX)	504	Red LED: 24 VDC, 20 mA			
	502	Green LED: 24 VDC, 20 mA			
	500	Red/Green LED: 24 VDC, 20 mA			

Stainless steel versions available upon request.

Modular Keyswitch



TK2

TK2

Panel cut-out (mm)	Ø 16.2 or Ø 22.5
Characteristics	<ul style="list-style-type: none">■ 2 or 3 position■ sealed IP40 or IP65■ plastic or aluminum bezels■ wide range of bezels■ NO, NC■ gold plated, single or double pole, contact blocks■ key trapping options
Rating	250 VAC, 5 A
Dimensions (mm)	18 × 24 18 × 18 Ø 18 Ø 25
Actuator	■ key-KABA MICRO
Approvals	UL, CSA, VDE



Popular products

Ordering Reference	Panel cut-out (mm)	Function	Actuator style (mm)	Environmental protection	Terminals (mm)	Electrical rating
TK21B2A001C1C1A	Ø 16.2	2 Position Kaba Micro key	18 × 24	IP40	2.8 × 0.5 faston	250 VAC, 5A
TK22B2E001C1C1E	Ø 22.5	2 Position Kaba Micro key	Ø 25	IP65	2.8 × 0.5 faston	250 VAC, 5A

Specifications

Mechanism	Key actuated
Mounting	Central fixing with metal lock nut
Protection	IP40 or IP65
Bezel material	Thermoplastic or anodized aluminum alloy
Temperature range °C	-25°C to +85°C
Mechanical life	10 ⁶ cycles
Contact block	Slide-on assembly by the user
Contact block housing	Self-extinguishing duroplastic (UL 94 V0)
Terminal material	Silver alloy with 0.2 µm silver plating plus, 0.4 µm gold plating
Contact resistance	<30 mOhm
Number of contact blocks	User configurable NO or NC types up to a maximum of 2 double contact blocks
Terminals	Patented flexible solder – suitable for wire diameter 1 × 1.00 mm ² (braided), 2 × 0.75 mm (stranded) Faston - 2.8mm × 0.5mm
Vibration resistance	1.5 mm pp amplitude at 55 Hz

Cylinder locks

KABA MICRO

Compact format

Key code EB 0001 (standard)

Key codes EB 0002 - EB 0020 (upon request)

Over 10'000 different key code variations

Key lock systems with master keys and central locks

2 keys per key switch (additional keys on order)

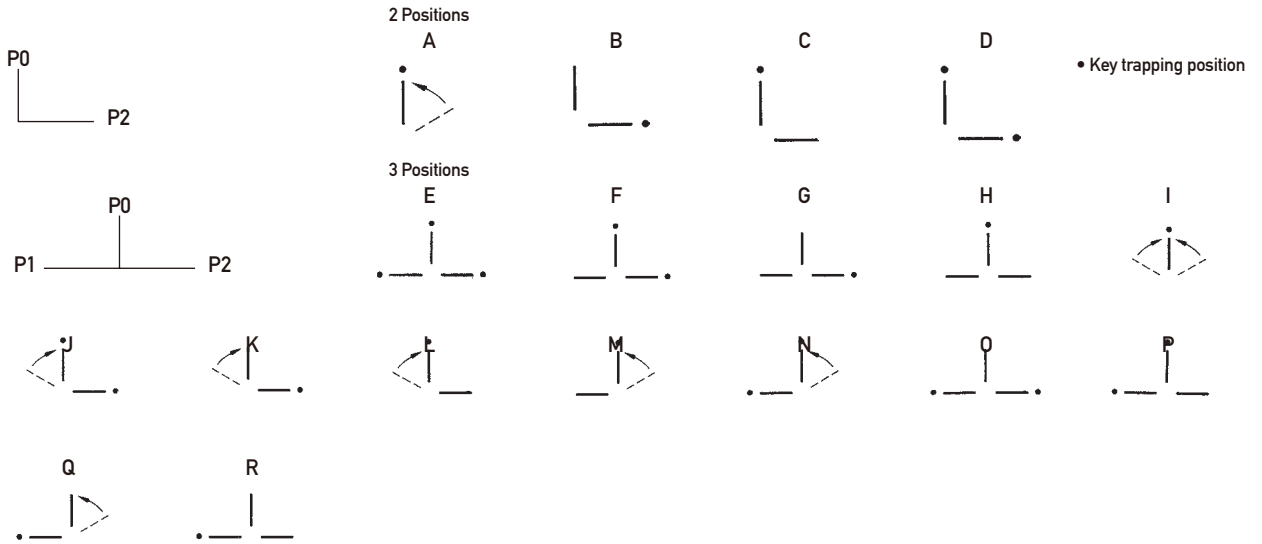
Destruction of the key or lock must be expected if the level 50 Ncm is exceeded.

Recommended maximum electrical ratings

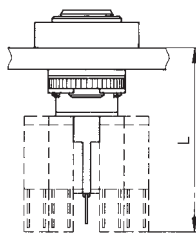
Voltage (max)	Resistive load (A)	Inductive load (A)	Approval
250 VAC	5.0 (0.7 pf)		UL, CSA, VDE - max. admissible circuit breaker C6A
12 VDC	5.0	3.0	General rating
24 VDC	4.0	2.0	General rating
36 VDC	3.0	1.7	General rating
48 VDC	2.0	1.5	General rating
60 VDC	1.5	1.2	General rating
125 VDC	0.5	0.3	General rating
250 VDC	0.3	0.2	General rating

Electrical life 50,000 cycles at 5A, 250 VAC, 0.7 pf

Key positions/ function

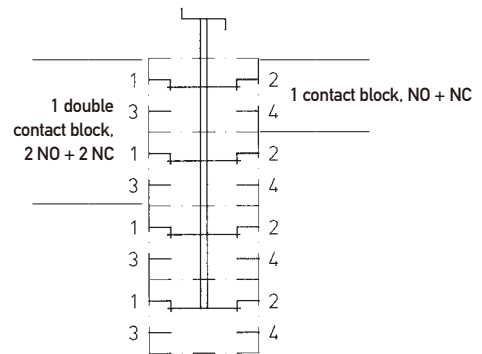


Dimensions

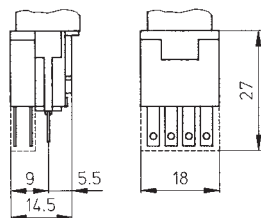


Length in mm (with contact block)
 plastic bezels 43
 aluminum bezels 42

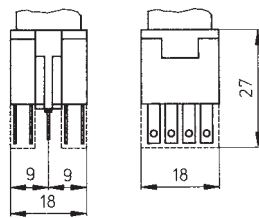
Circuit diagram (2 double contact blocks)



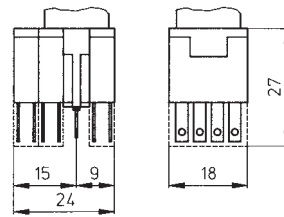
Contact blocks 1 contact block



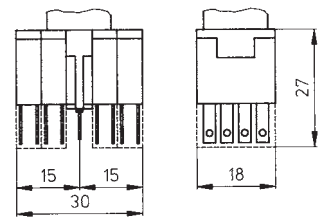
2 contact blocks



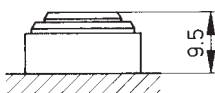
1 contact block + 1 double contact block



2 double contact blocks



Cylinder height plastic bezel IP40



Panel cut-out 22.5 ± 0.1 mm

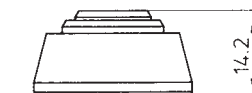
Front panel thickness

plastic bezel IP65 Panel cut-out



plastic bezel IP40
 plastic bezel IP65
 aluminum bezel

aluminum bezel 2 position key Panel cut-out



2.0 to 5.0 mm
 2.0 to 6.5 mm
 1.0 to 5.0 mm

Ordering Reference

Basic type	TK2	Example: TK2				1	A2A	001	A1	A1	A	
Panel cut-out	1	Ø 16.2 mm for plastic bezel key switches										
	2	Ø 22.5 mm for Aluminum bezel key switches										
Key position / function	A2A	2 Positions; IP40; Kaba Micro; Key removable P0					Momentary P2	TH548032XXX				
	B2A	2 Positions; IP40; Kaba Micro; Key removable P2					Latching P2	TH548034XXX				
16.2 mm cut-out	C2A	2 Positions; IP40; Kaba Micro; Key removable P0					Latching P2	TH548036XXX				
	D2A	2 Positions; IP40; Kaba Micro; Key removable P0 + P2					Latching P2	TH548038XXX				
	A2C	2 Positions; IP65; Kaba Micro; Key removable P0					Momentary P2	TH548132XXX				
	B2C	2 Positions; IP65; Kaba Micro; Key removable P2					Latching P2	TH548134XXX				
	C2C	2 Positions; IP65; Kaba Micro; Key removable P0					Latching P2	TH548136XXX				
	D2C	2 Positions; IP65; Kaba Micro; Key removable P0 + P2					Latching P2	TH548138XXX				
22.5 mm cut-out	A2E	2 Positions; Ø 25 mm Aluminum bezel IP65; Kaba Micro; Key removable P0					Momentary P2	TH544040XXX				
	B2E	2 Positions; Ø 25 mm Aluminum bezel IP65; Kaba Micro; Key removable P2					Latching P2	TH544041XXX				
	C2E	2 Positions; Ø 25 mm Aluminum bezel IP65; Kaba Micro; Key removable P0					Latching P2	TH544042XXX				
	D2E	2 Positions; Ø 25 mm Aluminum bezel IP65; Kaba Micro; Key removable P0 + P2					Latching P2	TH544043XXX				
Key code number (XXX)	001	Kaba Micro Code EB0001	THXXXXXX	001	012	Kaba Micro Code EB0012	THXXXXXX	012				
	002	Kaba Micro Code EB0002	THXXXXXX	002	013	Kaba Micro Code EB0013	THXXXXXX	013				
	003	Kaba Micro Code EB0003	THXXXXXX	003	014	Kaba Micro Code EB0014	THXXXXXX	014				
	004	Kaba Micro Code EB0004	THXXXXXX	004	015	Kaba Micro Code EB0015	THXXXXXX	015				
	005	Kaba Micro Code EB0005	THXXXXXX	005	016	Kaba Micro Code EB0016	THXXXXXX	016				
	006	Kaba Micro Code EB0006	THXXXXXX	006	017	Kaba Micro Code EB0017	THXXXXXX	017				
	007	Kaba Micro Code EB0007	THXXXXXX	007	018	Kaba Micro Code EB0018	THXXXXXX	018				
	008	Kaba Micro Code EB0008	THXXXXXX	008	019	Kaba Micro Code EB0019	THXXXXXX	019				
	009	Kaba Micro Code EB0009	THXXXXXX	009	020	Kaba Micro Code EB0020	THXXXXXX	020				
	010	Kaba Micro Code EB0010	THXXXXXX	010	999	Mixed differs	THXXXXXX	999				
	011	Kaba Micro Code EB0011	THXXXXXX	011								
Contact block, gold Position 1	XX	No contact block	Terminals	Part No.								
	A1	NO	2.8 × 0.5 mm	TH593566020								
	A9	NO	Insulated faston	TH593560020								
	A8	NO	Solder	TH593561020								
	B1	NC	2.8 × 0.5 mm	TH593566050								
	B9	NC	Insulated faston	TH593560050								
	B8	NC	Solder	TH593561050								
	C1	1 NO + 1 NC	2.8 × 0.5 mm	TH593566000								
	C9	1 NO + 1 NC	Insulated faston	TH593560000								
	C8	1 NO + 1 NC	Solder	TH593561000								
	D1	2 NO + 2 NC	2.8 × 0.5 mm	TH593567000								
	D9	2 NO + 2 NC	Insulated faston	TH593563000								
	D8	2 NO + 2 NC	Solder	TH593564000								
Contact block, gold Position 2	XX	No contact block	Terminals	Part No.								
	A1	NO	2.8 × 0.5 mm	TH593566020								
	A9	NO	Insulated faston	TH593560020								
	A8	NO	Solder	TH593561020								
	B1	NC	2.8 × 0.5 mm	TH593566050								
	B9	NC	Insulated faston	TH593560050								
	B8	NC	Solder	TH593561050								
	C1	1 NO + 1 NC	2.8 × 0.5 mm	TH593566000								
	C9	1 NO + 1 NC	Insulated faston	TH593560000								
	C8	1 NO + 1 NC	Solder	TH593561000								
	D1	2 NO + 2 NC	2.8 × 0.5 mm	TH593567000								
	D9	2 NO + 2 NC	Insulated faston	TH593563000								
	D8	2 NO + 2 NC	Solder	TH593564000								
Bezel	A	18 mm × 24 mm plastic				IP40	IP65					
	B	18 mm × 18 mm plastic				TH493060000	TH593060000					
	D	Ø 18 mm plastic				TH493062000	TH593062000					
	E	Ø 25 mm aluminum (Factory fitted)				TH493064000	TH593064000					

The keyswitch cannot be installed without a bezel. The IP40 bezels are interchangeable before installation. Contact blocks will be supplied unassembled.

Ordering Reference

Basic type		TK2		Example: TK2		1		E3A		001		A1		A1		A	
Panel cut-out	1	Ø 16.2 mm															
Key position / function	E3A	3 Position; IP40; Kaba Micro; Key removable PO + P1 + P2		Latching P1 + P2		TH548050XXX											
	F3A	3 Position; IP40; Kaba Micro; Key removable PO + P2		Latching P1 + P2		TH548051XXX											
	G3A	3 Position; IP40; Kaba Micro; Key removable P2		Latching P1 + P2		TH548052XXX											
	H3A	3 Position; IP40; Kaba Micro; Key removable PO		Latching P1 + P2		TH548053XXX											
	I3A	3 Position; IP40; Kaba Micro; Key removable PO		Momentary P1 + P2		TH548054XXX											
	J3A	3 Position; IP40; Kaba Micro; Key removable PO + P2		Momentary P1 + Latching P2		TH548055XXX											
	K3A	3 Position; IP40; Kaba Micro; Key removable P2		Momentary P1 + Latching P2		TH548056XXX											
	L3A	3 Position; IP40; Kaba Micro; Key removable PO		Momentary P1 + Latching P2		TH548057XXX											
	M3A	3 Position; IP40; Kaba Micro; Key removable PO		Latching P1 + Momentary P2		TH548058XXX											
	N3A	3 Position; IP40; Kaba Micro; Key removable PO + P1		Latching P1 + Momentary P2		TH548059XXX											
	O3A	3 Position; IP40; Kaba Micro; Key removable P1 + P2		Latching P1 + P2		TH548060XXX											
	P3A	3 Position; IP40; Kaba Micro; Key removable PO + P1		Latching P1 + P2		TH548061XXX											
	Q3A	3 Position; IP40; Kaba Micro; Key removable P1		Latching P1 + Momentary P2		TH548062XXX											
	R3A	3 Position; IP40; Kaba Micro; Key removable P1		Latching P1 + P2		TH548063XXX											
	E3B	3 Position; IP65; Kaba Micro; Key removable PO + P1 + P2		Latching P1 + P2		TH548150XXX											
	F3B	3 Position; IP65; Kaba Micro; Key removable PO + P2		Latching P1 + P2		TH548151XXX											
	G3B	3 Position; IP65; Kaba Micro; Key removable P2		Latching P1 + P2		TH548152XXX											
	H3B	3 Position; IP65; Kaba Micro; Key removable PO		Latching P1 + P2		TH548153XXX											
	I3B	3 Position; IP65; Kaba Micro; Key removable PO		Momentary P1 + P2		TH548154XXX											
	J3B	3 Position; IP65; Kaba Micro; Key removable PO + P2		Momentary P1 + Latching P2		TH548155XXX											
	K3B	3 Position; IP65; Kaba Micro; Key removable P2		Momentary P1 + Latching P2		TH548156XXX											
	L3B	3 Position; IP65; Kaba Micro; Key removable PO		Momentary P1 + Latching P2		TH548157XXX											
	M3B	3 Position; IP65; Kaba Micro; Key removable PO		Latching P1 + Momentary P2		TH548158XXX											
	N3B	3 Position; IP65; Kaba Micro; Key removable PO + P1		Latching P1 + Momentary P2		TH548159XXX											
O3B	3 Position; IP65; Kaba Micro; Key removable P1 + P2		Latching P1 + P2		TH548160XXX												
P3B	3 Position; IP65; Kaba Micro; Key removable PO + P1		Latching P1 + P2		TH548161XXX												
Q3B	3 Position; IP65; Kaba Micro; Key removable P1		Latching P1 + Momentary P2		TH548162XXX												
R3B	3 Position; IP65; Kaba Micro; Key removable P1		Latching P1 + P2		TH548163XXX												
Key code number	001	Kaba Micro Code EB0001 THXXXXXX 001		012 Kaba Micro Code EB0012 THXXXXXX		012											
	002	Kaba Micro Code EB0002 THXXXXXX 002		013 Kaba Micro Code EB0013 THXXXXXX		013											
	003	Kaba Micro Code EB0003 THXXXXXX 003		014 Kaba Micro Code EB0014 THXXXXXX		014											
	004	Kaba Micro Code EB0004 THXXXXXX 004		015 Kaba Micro Code EB0015 THXXXXXX		015											
	005	Kaba Micro Code EB0005 THXXXXXX 005		016 Kaba Micro Code EB0016 THXXXXXX		016											
	006	Kaba Micro Code EB0006 THXXXXXX 006		017 Kaba Micro Code EB0017 THXXXXXX		017											
	007	Kaba Micro Code EB0007 THXXXXXX 007		018 Kaba Micro Code EB0018 THXXXXXX		018											
	008	Kaba Micro Code EB0008 THXXXXXX 008		019 Kaba Micro Code EB0019 THXXXXXX		019											
	009	Kaba Micro Code EB0009 THXXXXXX 009		020 Kaba Micro Code EB0020 THXXXXXX		020											
	010	Kaba Micro Code EB0010 THXXXXXX 010		999 Mixed differs THXXXXXX		999											
	011	Kaba Micro Code EB0011 THXXXXXX 011															
Contact block, gold Position 1	XX	No contact block		Terminals		Part No.											
	A1	NO		2.8 × 0.5 mm		TH593566020											
	A9	NO		Insulated faston		TH593560020											
	A8	NO		Solder		TH593561020											
	B1	NC		2.8 × 0.5 mm		TH593566050											
	B9	NC		Insulated faston		TH593560050											
	B8	NC		Solder		TH593561050											
	C1	1 NO + 1 NC		2.8 × 0.5 mm		TH593566000											
	C9	1 NO + 1 NC		Insulated faston		TH593560000											
	C8	1 NO + 1 NC		Solder		TH593561000											
	D1	2 NO + 2 NC		2.8 × 0.5 mm		TH593567000											
	D9	2 NO + 2 NC		Insulated faston		TH593563000											
	D8	2 NO + 2 NC		Solder		TH593564000											
	Contact block, gold Position 2	XX	No contact block		Terminals		Part No.										
A1		NO		2.8 × 0.5 mm		TH593566020											
A9		NO		Insulated faston		TH593560020											
A8		NO		Solder		TH593561020											
B1		NC		2.8 × 0.5 mm		TH593566050											
B9		NC		Insulated faston		TH593560050											
B8		NC		Solder		TH593561050											
C1		1 NO + 1 NC		2.8 × 0.5 mm		TH593566000											
C9		1 NO + 1 NC		Insulated faston		TH593560000											
C8		1 NO + 1 NC		Solder		TH593561000											
D1		2 NO + 2 NC		2.8 × 0.5 mm		TH593567000											
D9		2 NO + 2 NC		Insulated faston		TH593563000											
D8		2 NO + 2 NC		Solder		TH593564000											
Bezel		A	18 mm × 24 mm plastic		IP40 TH493060000		IP65 TH593060000										
	B	18 mm × 18 mm plastic		TH493062000		TH593062000											
	D	Ø 18 mm plastic		TH493064000		TH593064000											

The keyswitch cannot be installed without a bezel. The IP40 bezels are interchangeable before installation. Contact blocks will be supplied unassembled.

Ordering Reference

Basic type	TK2			Example: TK2	2	E3C	001	A1	A1	E
Panel cut-out	2	Ø 22.5 mm								
Key position / function	E3C	3 Position; Ø 25 mm Alum. bezel IP65; Kaba Micro; Key removable PO + P1 + P2	Latching P1 + P2	TH544050XXX						
	F3C	3 Position; Ø 25 mm Alum. bezel IP65; Kaba Micro; Key removable PO + P2	Latching P1 + P2	TH544051XXX						
	G3C	3 Position; Ø 25 mm Alum. bezel IP65; Kaba Micro; Key removable P2	Latching P1 + P2	TH544052XXX						
	H3C	3 Position; Ø 25 mm Alum. bezel IP65; Kaba Micro; Key removable PO	Latching P1 + P2	TH544053XXX						
	I3C	3 Position; Ø 25 mm Alum. bezel IP65; Kaba Micro; Key removable PO	Momentary P1 + P2	TH544054XXX						
	J3C	3 Position; Ø 25 mm Alum. bezel IP65; Kaba Micro; Key removable PO + P2	Momentary P1 + Latching P2	TH544055XXX						
	K3C	3 Position; Ø 25 mm Alum. bezel IP65; Kaba Micro; Key removable P2	Momentary P1 + Latching P2	TH544056XXX						
	L3C	3 Position; Ø 25 mm Alum. bezel IP65; Kaba Micro; Key removable PO	Momentary P1 + Latching P2	TH544057XXX						
	M3C	3 Position; Ø 25 mm Alum. bezel IP65; Kaba Micro; Key removable PO	Latching P1 + Momentary P2	TH544058XXX						
	N3C	3 Position; Ø 25 mm Alum. bezel IP65; Kaba Micro; Key removable PO + P1	Latching P1 + Momentary P2	TH544059XXX						
	O3C	3 Position; Ø 25 mm Alum. bezel IP65; Kaba Micro; Key removable P1 + P2	Latching P1 + P2	TH544060XXX						
	P3C	3 Position; Ø 25 mm Alum. bezel IP65; Kaba Micro; Key removable PO + P1	Latching P1 + P2	TH544061XXX						
	Q3C	3 Position; Ø 25 mm Alum. bezel IP65; Kaba Micro; Key removable P1	Latching P1 + Momentary P2	TH544062XXX						
	R3C	3 Position; Ø 25 mm Alum. bezel IP65; Kaba Micro; Key removable P1	Latching P1 + P2	TH544063XXX						
Key code number (XXX)	001	Kaba Micro Code EB0001		THXXXXXX	001					
	002	Kaba Micro Code EB0002		THXXXXXX	002					
	003	Kaba Micro Code EB0003		THXXXXXX	003					
	004	Kaba Micro Code EB0004		THXXXXXX	004					
	005	Kaba Micro Code EB0005		THXXXXXX	005					
	006	Kaba Micro Code EB0006		THXXXXXX	006					
	007	Kaba Micro Code EB0007		THXXXXXX	007					
	008	Kaba Micro Code EB0008		THXXXXXX	008					
	009	Kaba Micro Code EB0009		THXXXXXX	009					
	010	Kaba Micro Code EB0010		THXXXXXX	010					
	011	Kaba Micro Code EB0011		THXXXXXX	011					
	012	Kaba Micro Code EB0012		THXXXXXX	012					
	013	Kaba Micro Code EB0013		THXXXXXX	013					
	014	Kaba Micro Code EB0014		THXXXXXX	014					
	015	Kaba Micro Code EB0015		THXXXXXX	015					
	016	Kaba Micro Code EB0016		THXXXXXX	016					
	017	Kaba Micro Code EB0017		THXXXXXX	017					
	018	Kaba Micro Code EB0018		THXXXXXX	018					
	019	Kaba Micro Code EB0019		THXXXXXX	019					
	020	Kaba Micro Code EB0020		THXXXXXX	020					
	999	Mixed differs		THXXXXXX	999					
Contact block, gold Position 1	XX	No contact block	Terminals	Part No.						
	A1	NO	2.8 × 0.5 mm	TH593566020						
	A9	NO	Insulated faston	TH593560020						
	A8	NO	Solder	TH593561020						
	B1	NC	2.8 × 0.5 mm	TH593566050						
	B9	NC	Insulated faston	TH593560050						
	B8	NC	Solder	TH593561050						
	C1	1 NO + 1 NC	2.8 × 0.5 mm	TH593566000						
	C9	1 NO + 1 NC	Insulated faston	TH593560000						
	C8	1 NO + 1 NC	Solder	TH593561000						
	D1	2 NO + 2 NC	2.8 × 0.5 mm	TH593567000						
	D9	2 NO + 2 NC	Insulated faston	TH593563000						
	D8	2 NO + 2 NC	Solder	TH593564000						
Contact block, gold Position 2	XX	No contact block	Terminals	Part No.						
	A1	NO	2.8 × 0.5 mm	TH593566020						
	A9	NO	Insulated faston	TH593560020						
	A8	NO	Solder	TH593561020						
	B1	NC	2.8 × 0.5 mm	TH593566050						
	B9	NC	Insulated faston	TH593560050						
	B8	NC	Solder	TH593561050						
	C1	1 NO + 1 NC	2.8 × 0.5 mm	TH593566000						
	C9	1 NO + 1 NC	Insulated faston	TH593560000						
	C8	1 NO + 1 NC	Solder	TH593561000						
	D1	2 NO + 2 NC	2.8 × 0.5 mm	TH593567000						
	D9	2 NO + 2 NC	Insulated faston	TH593563000						
	D8	2 NO + 2 NC	Solder	TH593564000						
Bezel	E	Ø 25 mm (Factory fitted)								

The keyswitch cannot be installed without a bezel. Contact blocks will be supplied unassembled.

E1

E1

Panel cut-out (mm)	15.1 × 15.1
Characteristics	<ul style="list-style-type: none"> ■ tamper proof ■ 2 positions ■ key trapping options ■ gold-plated contacts ■ PCB Terminals
Rating	250 VAC, 100 mA
Dimensions (mm)	18 × 16
Actuator	■ plastic key
Approvals	none

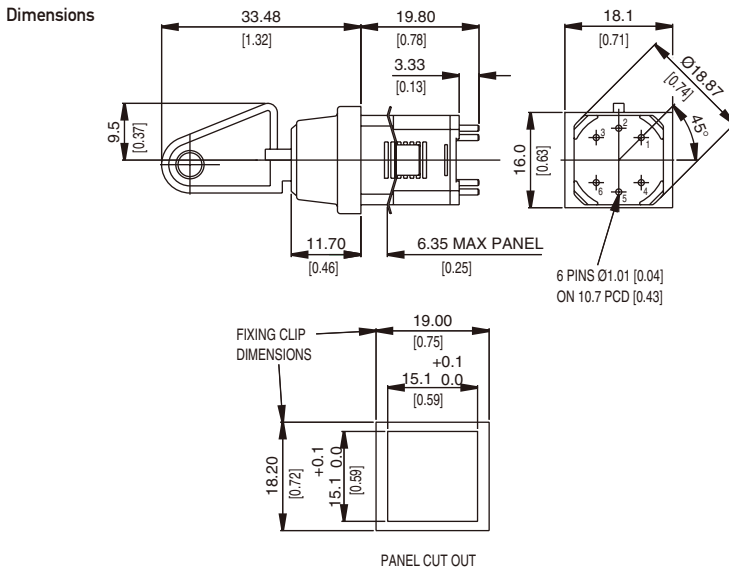


Preferred Range

Ordering Reference	Terminal	Circuit	Actuator	Contacts	Electrical rating
E1ACAAAE	Pins	2 pole CO	Key	Gold-plated	250 VAC, 100 mA

Specifications

Key	Glass-fibre reinforced nylon
Body	Glass-fibre reinforced nylon
Springs	Stainless steel
Contacts	Moving - gold-plated phosphor bronze, Fixed - gold-plated brass
Terminals	1.01 mm (0.04 in) dia × 3.3 mm (0.13 in) gold-plated brass
Temperature range °C	-20°C to +60°C
Mechanical life	50,000 operations (minimum)
Mounting	Retaining clip
Actuators	Key
Switching function	Double pole change-over, three circuit selector
Key indexing	90°



Recommended maximum electrical ratings

Voltage (max)	Resistive load (A)	Inductive load	Horsepower	Approval
250 VAC	100 mA	-	-	General rating - 50,000 operations
0-15 VDC	100 mA	-	-	General rating - 50,000 operations
15-30 VDC	100 mA	-	-	General rating - 50,000 operations

Operating Characteristics

Switching function	Reference	Actuator Type	Body style (mm)	Key trapping	Diagram
Double pole change-over	E1AAAAAE	Key	A - 18 × 16	No	
Double pole change-over	E1ACAAAE	Key	A - 18 × 16	Yes	
Three circuit selector	E1AAAAAJ	Key	A - 18 × 16	No	

Ordering Reference

Basic type	E1	Example: E1	A	A	A	A	A	E
Key	A	Standard key						
Key trapping	A	Key removable in all positions						
	C	Key trapped horizontally, right						
Body style	A	18.0 mm (0.710 in) × 16.0 mm (0.630 in) rectangular bezel						
Body color	A	Black						
Terminal	A	1.01 mm (0.040 in) dia × 3.30 mm (0.130 in)						
Switching function	E	Double pole change-over						
	J	Three circuit selector						

M1

M1

Panel cut-out (mm) ∇ 15.1 × 15.1

- Characteristics
- double pole change-over or three circuit selector switching functions
 - key trapping option
 - two body style options
 - gold-plated contacts
 - PCB Terminals

Rating 250 VAC, 100 mA

Dimensions (mm) 18 × 16
body style A
18 × 18
body style E

Actuator ■ key (common or differs)

Approvals none



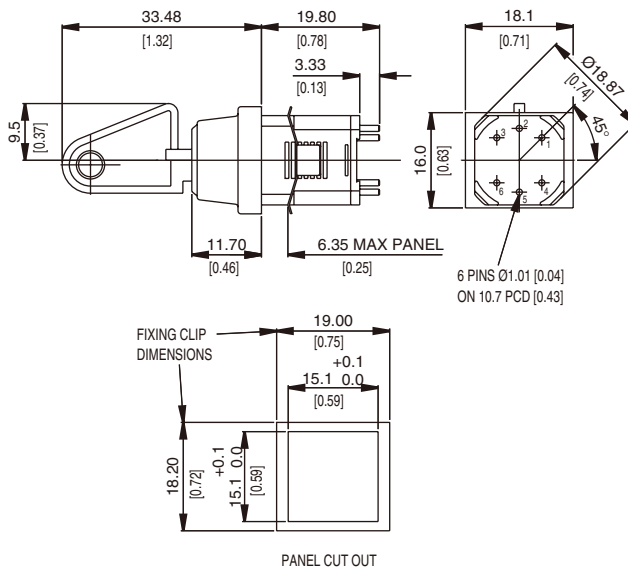
Preferred Range

Ordering Reference	Terminal	Circuit	Actuator	Contacts	Electrical rating
M1HAAAEE	Pins	2 pole CO	Key	Gold-plated	250 VAC, 100 mA
M1HAEAAE	Pins	2 pole CO	Key	Gold-plated	250 VAC, 100 mA
M1HAAA AJ	Pins	3 circuit selector	Key	Gold-plated	250 VAC, 100 mA

Specifications

Key	Nickel silver
Body	Glass-fibre reinforced nylon
Springs	Stainless steel
Contacts	Moving - gold-plated phosphor bronze. Fixed - gold-plated brass
Terminals	1.01 mm (0.04 in) dia × 3.3 mm (0.13 in) gold-plated brass
Temperature range °C	-20°C to +60°C
Mechanical life	50,000 operations (minimum)
Mounting	Retaining clip
Actuators	Key
Switching function	Double pole change-over, three circuit selector
Key indexing	90°

Dimensions



Recommended maximum electrical ratings

Voltage (max)	Resistive load (A)	Inductive load	Horsepower	Approval
250 VAC	100 mA	-	-	General rating - 50,000 operations
0-15 VDC	100 mA	-	-	General rating - 50,000 operations
15-30 VDC	100 mA	-	-	General rating - 50,000 operations

Operating Characteristics

Switching function	Reference	Actuator		Body style (mm)	Key trapping	Diagram
		Type	Code			
Double pole change-over	M1BAAAAE	Key	001	A - 18 × 16	No	
	M1HAAAAE	Key	007	A - 18 × 16	No	
	M1HAEEAE	Key	007	E - 18 × 18	No	
	M1MAAAAE	Key	Production run key coding	A - 18 × 16	No	
	M1MAEEAE	Key	Production run key coding	E - 18 × 18	No	
Double pole change-over	M1MCAAEE	Key	Production run key coding	A - 18 × 16	Yes	
	M1MCEAAE	Key	Production run key coding	E - 18 × 18	Yes	
Three circuit selector	M1HAAAAJ	Key	007	A - 18 × 16	No	
	M1HAEEAJ	Key	007	E - 18 × 18	No	
	M1MAAAAJ	Key	Production run key coding	A - 18 × 16	No	
	M1MAEEAJ	Key	Production run key coding	E - 18 × 18	No	

Ordering Reference

Basic type	M1	Example: M1	B	A	A	A	A	E
Keycode	B 001 key H 007 key M Production run key coding							
Key trapping	A Key removable in all positions C Key trapped horizontally, right							
Body style	A 18.0 mm (0.710 in) × 16.0 mm (0.630 in) rectangular bezel E 18.0 mm (0.710 in) square bezel							
Body color	A Black							
Terminal	A 1.01 mm (0.040 in) dia × 3.30 mm (0.130 in)							
Switching function	E Double pole change-over J Three circuit selector							

K2

K2

Panel cut-out (mm)	Ø 19.1
Characteristics	<ul style="list-style-type: none"> ■ choice of off-on or change-over center off or spring return options ■ key trapping option ■ solder terminals
Rating	up to 250 VAC, 2 A
Dimensions (mm)	Ø 22
Actuator	■ key (common or differs)
Approvals	UL and CSA



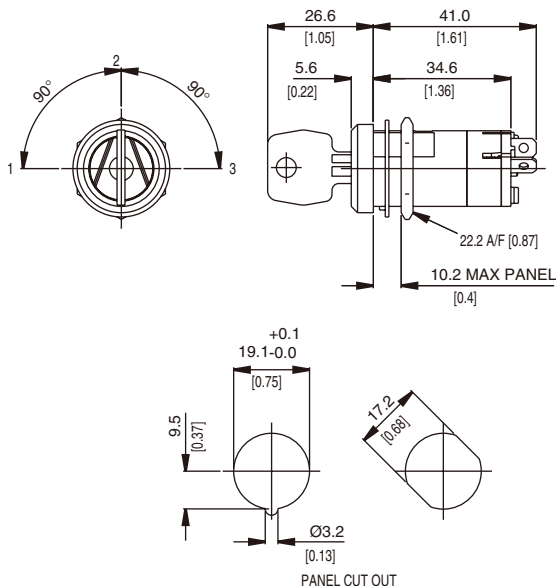
Preferred Range

Ordering Reference	Terminal	Circuit	Actuator	Contacts	Electrical rating
K23FBA201	Screws	2 pole off-on	Key	Ag	Up to 250 VAC, 2 A

Specifications

Key	Nickel silver
Body	Glass-fibre reinforced nylon
Springs	Stainless steel
Contacts	Silver
Terminals	4.8 × 0.8 mm (0.19 × 0.032 in) faston (faston) - silver-plated brass
Temperature range °C	-20°C to +85°C
Mechanical life	50,000 operations (minimum)
Mounting	Locknut and washer
Actuators	General duty keylocks
Switching function	Off-on, change-over (center off)
Key indexing	90°

Dimensions



Recommended maximum electrical ratings

Voltage (max)	Resistive load (A)	Inductive load	Horsepower	Approval
125 VAC	4 (0.75 pf)	-	-	UL 1054/CSA 22.2 No. 55 - 6,000 operations
250 VAC	2 (0.75 pf)	-	-	UL 1054/CSA 22.2 No. 55 - 6,000 operations
12 VDC	10	-	-	UL 1054/CSA 22.2 No. 55 - 6,000 operations

Operating Characteristics

Switching function	Reference	Actuator		Key trapping	Diagram
		Type	Code		
1 pole change-over with center off	K23FBA123	Key	001	No	
2 pole off-on	K23FBA201	Key	001	No	

Ordering Reference

Basic type	K2	Example: K2	3F	B	A	2	01
Actuators	3F Key - general duty						
Keycode	B 001 key						
Key trapping	A Key removable in all positions C Key trapped horizontally; right						
Number of poles	1 1 pole 2 2 poles						
Switching function	01 Off-on 23 Change-over with center off						

P2

P2

Panel cut-out (mm)	Ø 19.1
Characteristics	<ul style="list-style-type: none">■ up to 12 contact pairs■ 2 security options with key actuation■ from 2 to 4 switch positions■ key trapping option■ solder terminals
Rating	250 VAC, 2 A
Dimensions (mm)	Ø 22
Actuator	■ key (common or differs)
Approvals	UL (optional)



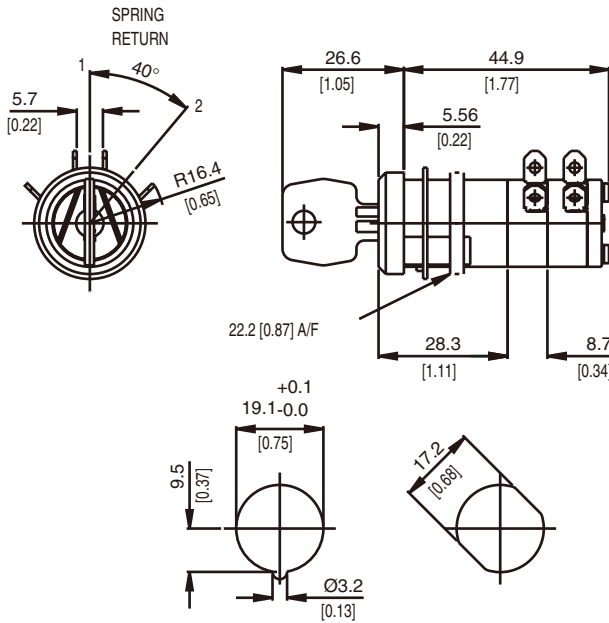
Preferred Range

Ordering Reference	Terminal	Circuit	Actuator	Contacts	Electrical rating
P23FBA206	Screws	2 pole CO	Key	Ag	Up to 250 VAC, 2 A
P23FBA209	Screws	2 pole CO	Key	Ag	Up to 250 VAC, 2 A
P23FBC209	Screws	2 pole CO	Key	Ag	Up to 250 VAC, 2 A
P23FMA209	Screws	2 pole CO	Key	Ag	Up to 250 VAC, 2 A

Specifications

Key	Nickel silver
Body	Glass-fibre reinforced nylon
Springs	Stainless steel
Contacts	Silver
Terminals	4.8 × 0.8 mm (0.19 × 0.032 in) faston (faston) - silver-plated brass
Temperature range °C	-20°C to +85°C
Mechanical life	50.000 operations (minimum)
Mounting	Locknut and washer
Actuators	General duty keylocks
Switching function	Change-over (spring return), change-over (separate circuits)
Key indexing	90°

Dimensions



Recommended maximum electrical ratings

Voltage (max)	Resistive load (A)	Inductive load	Horsepower	Approval
125 VAC	4 (0.75 pf)	-	-	UL 1054/CSA 22.2 No. 55 - 6,000 operations
250 VAC	2 (0.75 pf)	2	-	UL 1054/CSA 22.2 No. 55 - 6,000 operations
12 VDC	10	-	-	UL 1054/CSA 22.2 No. 55 - 6,000 operations

Operating Characteristics

Switching function	Reference	Actuator		Code	Key trapping	Diagram
		Type				
2 pole change-over, spring return	P23FBA206	Key		001 Production run key coding	No No	
	P23FMA206	Key				
2 pole change-over, separate circuits	P23FBA209	Key		001 Production run key coding	No No	
	P23FMA209	Key				
2 pole change-over, separate circuits	P23FBC209	Key		001 Production run key coding	Yes Yes	
	P23DMC209	Key - increased security				

Ordering Reference

Basic type	P2	Example: P2	3F	B	A	2	06
Actuators	3F	Key - general duty					
Keycode	B	001 key					
	M	Production run key coding					
Key trapping	A	Key removable in all positions					
	C	Key trapped horizontally, right					
Number of poles	2	2 poles					
Switching function	06	Change-over with spring return					
	09	Change-over with separate circuits					

P5

P5

Panel cut-out (mm)	Ø 20.6
Characteristics	<ul style="list-style-type: none">■ high electrical rating■ key trapping option■ choice of off-on, change-over with spring return or change-over with separate circuits
Rating	up to 125 VAC, 10 A up to 250 VAC, 5 A
Dimensions (mm)	Ø 38.1 × 45.7 off-on Ø 38.1 × 58.4 change-over
Actuator	■ key (common or different)
Approvals	UL and CSA



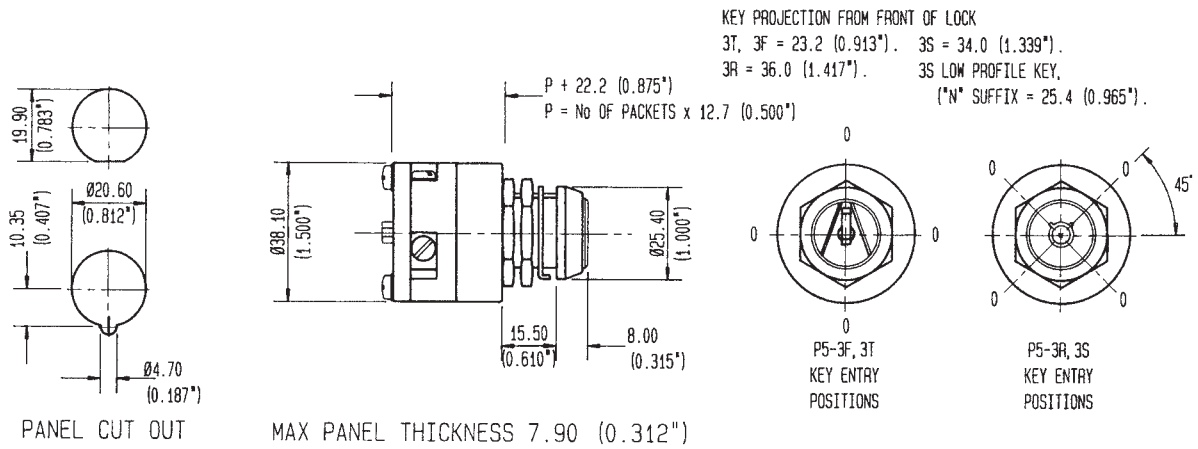
Preferred Range

Ordering Reference	Terminal	Circuit	Actuator	Contacts	Electrical rating
P53FBA201	Screws	2 pole off-on	Key	Ag	Up to 125 VAC, 10 A Up to 250 VAC, 5 A

Specifications

Key	Nickel silver
Body	Phenolic
Springs	Stainless steel
Contacts	Silver
Terminals	4BA screw - silver-plated brass
Temperature range °C	-20°C to +85°C
Mechanical life	25,000 operations (minimum)
Mounting	Locknut and washer
Actuator	Key
Switching function	Off-on, change-over (spring return), change-over (separate circuits)
Key indexing	90°

Dimensions



Recommended maximum electrical ratings

Voltage (max)	Resistive load (A)	Inductive load	Horsepower	Approval
125 VAC	10 (0.75 pf)	-	-	UL 1054/CSA 22.2 No. 55 - 6,000 operations
250 VAC	5 (0.75 pf)	-	-	
24 VDC	15	-	-	UL 1054/CSA 22.2 No. 55 - 6,000 operations

Operating Characteristics

Switching function	Reference	Actuator		Key trapping	Diagram
		Type	Code		
2 pole off-on	P53FBA201	Key	001	No	
2 pole change-over, spring return	P53FBA206 P53FMA206	Key Key	001 Production run	No No	
2 pole change-over, separate circuits	P53FBA209 P53FMA209	Key Key	001 Production run	No No	
2 pole change-over, separate circuits	P53FBB209 P53FMB209	Key Key	001 Production run	Yes Yes	

Ordering Reference

Basic type	P5	Example: P5	3F	B	A	2	01
Actuators	3F	Key - general duty					
Keycode	B	001 key					
	M	Production run key coding					
Key trapping	A	Key removable in all positions					
	B	Key trapped vertically, up					
Number of poles	2	2 poles					
Switching function	01	Off-on					
	06	Change-over with spring return					
	09	Change-over with separate circuits					

TR2

TR2

Panel cut-out (mm)	Ø 16.2 or Ø 22.5
Characteristics	<ul style="list-style-type: none">■ 2 and 3 position■ sealed IP40 or IP65■ plastic or aluminum bezels■ NO, NC■ gold plated, single or double pole, contact blocks■ key trapping options
Rating	250 VAC, 5 A
Dimensions (mm)	18 × 24 18 × 18 Ø 18 Ø 25
Actuator	■ black knob, with white indicating bar
Approvals	UL, CSA, VDE



Popular products

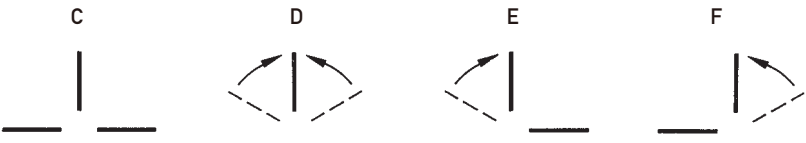
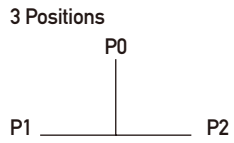
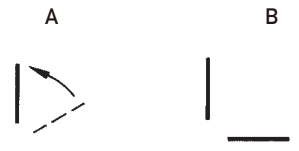
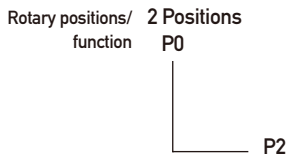
Ordering Reference	Panel cut-out (mm)	Function	Actuator size (mm)	Environmental protection
TR21A2AC1C1A	Ø 16.2	2 Position	18 × 24	IP40
TR22A2CC1C1E	Ø 22.5	2 Position	Ø 25	IP65
TR21C2AC1C1A	Ø 16.2	3 Position	18 × 24	IP40
TR22C2CC1C1E	Ø 22.5	3 Position	Ø 25	IP65

Specifications

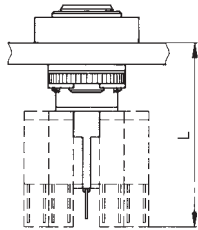
Mechanism	Knob actuated
Mounting	Central fixing with metal lock nut
Protection	IP40 or IP65
Bezel material	Thermoplastic or anodized aluminum alloy
Temperature range °C	-25°C to +85°C
Mechanical life	10 ⁶ cycles
Contact block	Slide-on assembly by the user
Contact block housing	Self-extinguishing duroplastic (UL 94 V0)
Terminal material	Silver alloy with 0.2 µm silver plating, 0.4 µm gold plating
Contact resistance	<30 mOhm
Number of contact blocks	User configurable NO or NC types up to a maximum of 2 double contact blocks
Terminals	Patented flexible solder – suitable for wire diameter 1 × 1.00 mm ² (braided), 2 × 0.75 mm (stranded) Faston – 2.8mm × 0.5mm
Vibration resistance	1.5 mm pp amplitude at 55 Hz

Recommended maximum electrical ratings

Voltage (max) 250 VAC	Resistive load (A) 5.0 (0.7 pf)	Inductive load (A)	Approval UL, CSA, VDE - max. admissible circuit breaker C6A
12 VDC	5.0	3.0	General rating
24 VDC	4.0	2.0	General rating
36 VDC	3.0	1.7	General rating
48 VDC	2.0	1.5	General rating
60 VDC	1.5	1.2	General rating
125 VDC	0.5	0.3	General rating
250 VDC	0.3	0.2	General rating
Electrical life	50,000 cycles at 5A, 250 VAC, 0.7 pf		

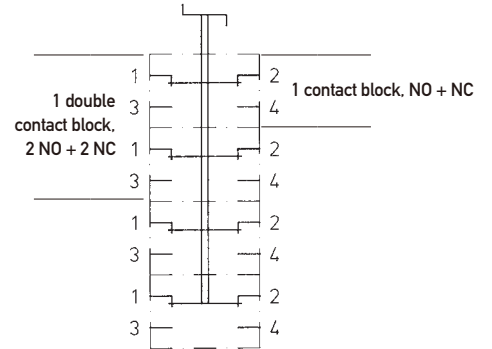


Dimensions



Length in mm (with contact block)
plastic bezels 43
aluminum bezels 42

Circuit diagram (2 double contact blocks)

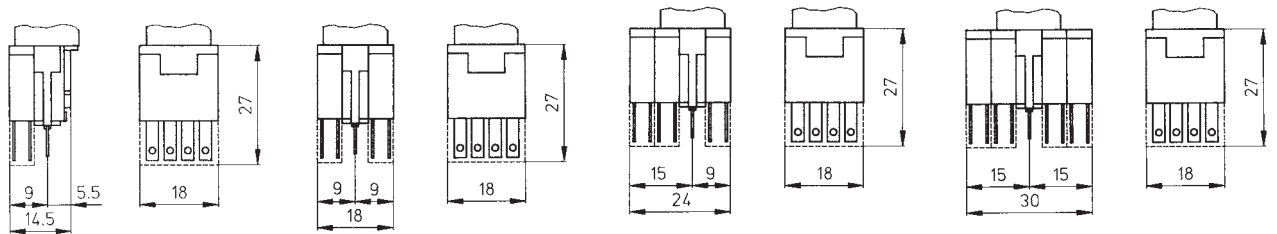


Contact blocks 1 contact block

2 contact blocks

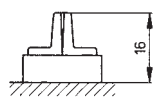
1 contact block +
1 double contact block

2 double contact blocks

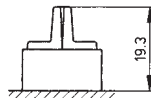


Bezel and rotary knob height

plastic bezel IP40

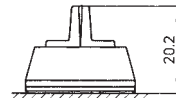


plastic bezel IP65

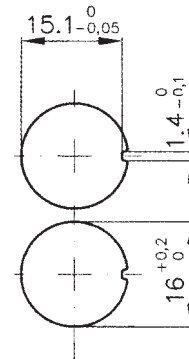


Panel cut-out
16.2 mm ± 0.1 mm
(plastic)

aluminum bezel



Panel cut-out
22.5 mm ± 0.1 mm
(aluminum)



Ordering Reference

Basic type		TR2		Example: TR2		1	A2A	A1	A1	A
Panel cut-out	1	Ø 16.2 mm for plastic bezel rotary switches								
	2	Ø 22.5 mm for Aluminum bezel rotary switches								
Switch body 16.2 mm panel cut-out	A2A	2 Positions; IP40;	Momentary	TH508021000						
	B2A	2 Positions; IP40;	Latching	TH508020000						
	A2B	2 Positions; IP65;	Momentary	TH508026000						
	B2B	2 Positions; IP65;	Latching	TH508025000						
22.5 mm panel cut-out	A2C	2 Positions; Ø 25 mm Aluminum bezel IP65	Momentary	TH508031000						
	B2C	2 Positions; Ø 25 mm Aluminum bezel IP65	Latching	TH508030000						
Contact block, gold Position 1	XX	No contact block								
	A1	NO	2.8 × 0.5 mm	TH593566020						
	A9	NO	Insulated faston	TH593560020						
	A8	NO	Solder	TH593561020						
	B1	NC	2.8 × 0.5 mm	TH593566050						
	B9	NC	Insulated faston	TH593560050						
	B8	NC	Solder	TH593561050						
	C1	1 NO + 1 NC	2.8 × 0.5 mm	TH593566000						
	C9	1 NO + 1 NC	Insulated faston	TH593560000						
	C8	1 NO + 1 NC	Solder	TH593561000						
	D1	2 NO + 2 NC	2.8 × 0.5 mm	TH593567000						
	D9	2 NO + 2 NC	Insulated faston	TH593563000						
	D8	2 NO + 2 NC	Solder	TH593564000						
	Contact block, gold Position 2	XX	No contact block							
A1		NO	2.8 × 0.5 mm	TH593566020						
A9		NO	Insulated faston	TH593560020						
A8		NO	Solder	TH593561020						
B1		NC	2.8 × 0.5 mm	TH593566050						
B9		NC	Insulated faston	TH593560050						
B8		NC	Solder	TH593561050						
C1		1 NO + 1 NC	2.8 × 0.5 mm	TH593566000						
C9		1 NO + 1 NC	Insulated faston	TH593560000						
C8		1 NO + 1 NC	Solder	TH593561000						
D1		2 NO + 2 NC	2.8 × 0.5 mm	TH593567000						
D9		2 NO + 2 NC	Insulated faston	TH593563000						
D8		2 NO + 2 NC	Solder	TH593564000						
Bezel				IP40	IP65					
	A	18 mm × 24 mm plastic	TH493060000	TH593060000						
	B	18 mm × 18 mm plastic	TH493062000	TH593062000						
	D	Ø 18 mm plastic	TH493064000	TH593064000						
	E	Ø 25 mm aluminum								

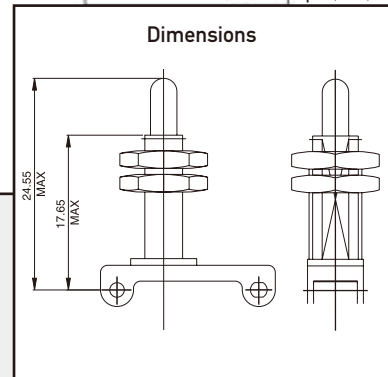
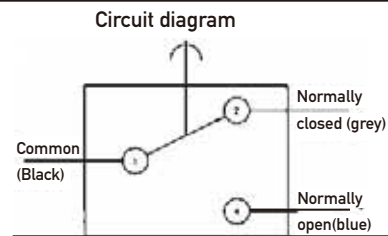
The rotary switch cannot be installed without a bezel. The IP40 bezels are interchangeable before installation. Once an IP65 bezel has been assembled it cannot be removed. Contact blocks will be supplied unassembled.

Ordering Reference

Basic type		TR2		Example: TR2		1	C2A	C2C	A1	A1	A	
Panel cut-out	1	Ø 16.2 mm for plastic bezel rotary switches										
	2	Ø 22.5 mm for Aluminum bezel rotary switches										
Switch body 16.2 mm	C2A	3 Positions; IP40;	Latching P0 + P1 + P2	TH508040000								
	D2A	3 Positions; IP40;	Momentary P1 + P2	TH508041000								
Panel cut-out	E2A	3 Positions; IP40;	Momentary P1 Latching P0 + P2	TH508042000								
	F2A	3 Positions; IP40;	Momentary P2 Latching P0 + P1	TH508043000								
	C2B	3 Positions; IP65;	Latching P0 + P1 + P2	TH508045000								
	D2B	3 Positions; IP65;	Momentary P1 + P2	TH508046000								
	E2B	3 Positions; IP65;	Momentary P1 Latching P0 + P2	TH508047000								
	F2B	3 Positions; IP65;	Momentary P2 Latching P0 + P1	TH508048000								
22.5 mm Panel cut-out	C2C	3 Positions; Ø 25 mm Aluminum bezel IP65	Latching P0 + P1 + P2	TH508060000								
	D2C	3 Positions; Ø 25 mm Aluminum bezel IP65	Momentary P1 + P2	TH508061000								
	E2C	3 Positions; Ø 25 mm Aluminum bezel IP65	Momentary P1 Latching P0 + P2	TH508062000								
	F2C	3 Positions; Ø 25 mm Aluminum bezel IP65	Momentary P2 Latching P0 + P1	TH508063000								
Contact block, gold Position 1	XX	No contact block										
	A1	NO	2.8 × 0.5 mm	TH593566020								
	A9	NO	Insulated faston	TH593560020								
	A8	NO	Solder	TH593561020								
	B1	NC	2.8 × 0.5 mm	TH593566050								
	B9	NC	Insulated faston	TH593560050								
	B8	NC	Solder	TH593561050								
	C1	1 NO + 1 NC	2.8 × 0.5 mm	TH593566000								
	C9	1 NO + 1 NC	Insulated faston	TH593560000								
	C8	1 NO + 1 NC	Solder	TH593561000								
	D1	2 NO + 2 NC	2.8 × 0.5 mm	TH593567000								
	D9	2 NO + 2 NC	Insulated faston	TH593563000								
	D8	2 NO + 2 NC	Solder	TH593564000								
	Contact block, gold Position 2	XX	No contact block									
A1		NO	2.8 × 0.5 mm	TH593566020								
A9		NO	Insulated faston	TH593560020								
A8		NO	Solder	TH593561020								
B1		NC	2.8 × 0.5 mm	TH593566050								
B9		NC	Insulated faston	TH593560050								
B8		NC	Solder	TH593561050								
C1		1 NO + 1 NC	2.8 × 0.5 mm	TH593566000								
C9		1 NO + 1 NC	Insulated faston	TH593560000								
C8		1 NO + 1 NC	Solder	TH593561000								
D1		2 NO + 2 NC	2.8 × 0.5 mm	TH593567000								
D9		2 NO + 2 NC	Insulated faston	TH593563000								
D8		2 NO + 2 NC	Solder	TH593564000								
Bezel					IP40		IP65					
	A	18 mm × 24 mm plastic		TH493060000		TH593060000						
	B	18 mm × 18 mm plastic		TH493062000		TH593062000						
	D	Ø 18 mm plastic		TH493064000		TH593064000						
	E	Ø 25 mm aluminum										

The rotary switch cannot be installed without a bezel. The IP40 bezels are interchangeable before installation. Once an IP65 bezel has been assembled it cannot be removed. Contact blocks will be supplied unassembled.

Long overtravel Microswitches



Long overtravel



innovating motion

QA4

QA4

Panel cut-out (mm)	Ø 6.1
Characteristics	<ul style="list-style-type: none">■ for use with V4N/V4NC series■ long overtravel up to 5 mm■ simple clip-on attachment
Rating	250 VAC, 5 A
Dimensions (mm)	20 × 6.45 × 38.3
Actuator	<ul style="list-style-type: none">■ stainless steel plunger■ polyamide (PA 6.6) plunger
Approvals	UL, CSA



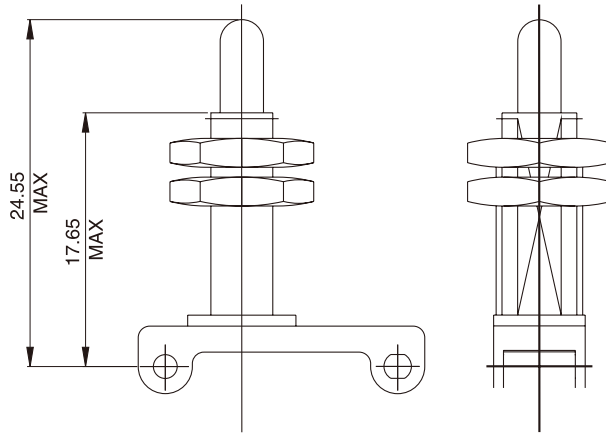
Preferred Range

Ordering Reference	Basic switch	Actuator kit
	V4NCT7UL	QA4

Specifications

Clip-on frame	Glass fibre reinforced polyamide (PA 6.6)
Locknut	Brass nickel plate
Plunger	Stainless steel (QA4)
Basic switches	V4N
Temperature range °C	-10°C to +85°C
Mechanical Life	5 × 10 ⁶ cycles minimum (Mechanism 2 × 10 ⁶ cycles minimum) (Impact free actuation)
Mounting mm (in)	Single hole ∅ 6.4 (0.25) suitable for panels up to 8.0 (0.3) thick
Torque max. Nm	0.4 to be applied to locknut

Dimensions QA4



Configuration

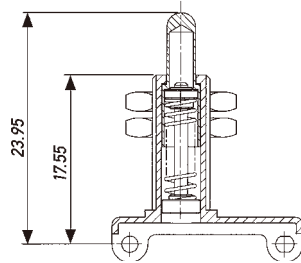
Basic switch V4NC...
V4N...

Ordering Reference

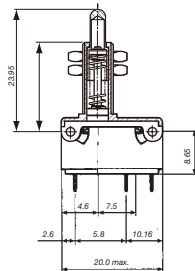
Actuator kit **QA4**

without insert switch

Example: QA4 QV4NCT7



With insert switch **Q** followed by switch reference
V4NC... See pages 52 to 55
V4N... See pages 56 to 59
 Example reference: QV4NCT7



Special Features



TH-Contact specialise in customer specific solutions.
 Additional product variants are available or can be provided.
 If your requirements cannot be satisfied from the options listed,
 please contact www.saia-burgess.com or your local SB outlet.

V3Q

Panel cut-out (mm)	Ø 12.7
Characteristics	<ul style="list-style-type: none"> ■ long overtravel assemblies with single or double pole options ■ IEC IP67, pre-wired option
Rating	up to 250 VAC, 10 A
Dimensions (mm)	36.5 × 33.6 × 17.3 single pole 36.5 × 33.6 × 26.2 double pole
Actuator	<ul style="list-style-type: none"> ■ plunger ■ roller plunger
Approvals	UL, CSA



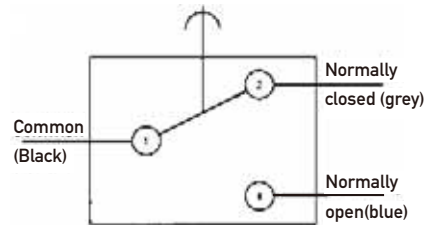
Preferred Range

Ordering Reference	Actuating Force		Sealing	Operating pos.		Terminal	Circuit	Actuator	Contacts	Electrical rating
	(N)	(ozf)		(mm)	(in)					
V3Q1UL	3,3	12,00	IP40	28,6	1,13	Screws	CO	Plunger	Ag, AgCd0	Up to 250 VAC, 10 A
V3SQ1UL	3,9	12,00	IP67	28,6	1,13	Pre-wired	CO	Plunger	Ag	Up to 250 VAC, 5 A
V3QR1UL	3,3	12,00	IP40	39,7	1,56	Screws	CO	Roller plunger	Ag, AgCd0	Up to 250 VAC, 10 A
V3SQR1UL	3,9	12,00	IP67	39,7	1,56	Pre-wired	CO	Roller plunger	Ag	Up to 250 VAC, 5 A
2V3Q1UL	8,9	32,00	IP40	28,4	1,12	Screws	CO	Plunger	Ag, AgCd0	Up to 250 VAC, 10 A
2V3Q2UL	8,9	32,00	IP40	47,4	1,87	Screws	CO	Plunger	Ag, AgCd0	Up to 250 VAC, 10 A

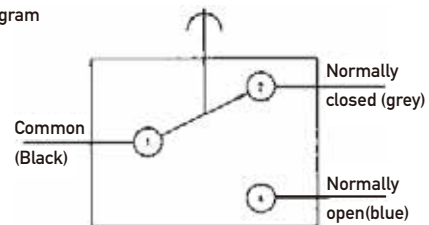
Specifications

Frame	Mild steel, zinc-plated
Sleeve	Brass
Plunger	Mild steel, zinc-plated
Roller	Nylon
Mechanism	V3Q, V3SQ - Single pole change-over / 2V3Q - Double pole change-over
Contacts	Silver, silver cadmium oxide
Terminals	V3Q, 2V3Q - M3 screws and lockwashers / V3SQ - pre-wired
Temperature range	-10°C to +85°C
Mechanical life	10 ⁶ cycles minimum (impact free actuation)
Type of protection	V3Q, 2V3Q - IP40 (enclosure) / V3SQ - IP67 (enclosure)
Mounting	Panel mounting - threaded plunger sleeve
Cables	V3SQ only - PVC 0.5M (19.7 in) long
Cowl	V3SQ only - silicone rubber

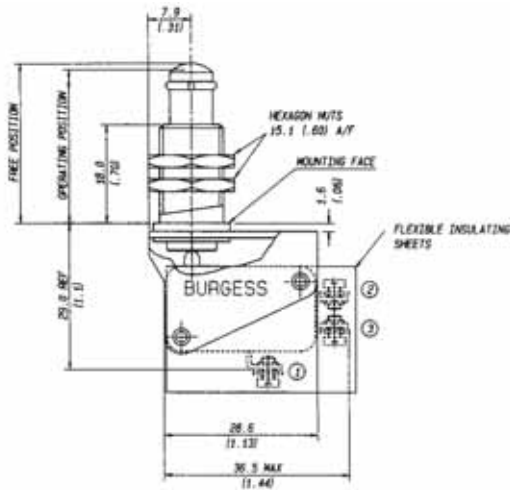
Circuit diagram
V3Q



Circuit diagram
V3SQ



Dimensions



Recommended maximum electrical ratings

	Voltage (max)	Load (A)	Approval
V3Q / 2V3Q	250 VAC	10 (0.75 pf)	UL 1054/CSA 22.2 No. 55 - 6,000 operations (85°C)
	125 VAC	-	UL 1054/CSA 22.2 No. 55 - 6,000 operations (85°C)
	0 - 15 VDC	10	General rating - 50,000 operations (85°C)
	15 - 30 VDC	7	General rating - 50,000 operations (85°C)
V3SQ	125 VAC	5 (0.75 pf)	UL 1054/CSA 22.2 No. 55 - 6,000 operations (85°C)
	250 VAC	5 (0.75 pf)	UL 1054/CSA 22.2 No. 55 - 6,000 operations (85°C)
	250 VAC	5	EN61058-1, T85, 10,000 operations
	0 - 15 VDC	6	General rating - 50,000 operations (85°C)
	15 - 30 VDC	3	General rating - 50,000 operations (85°C)

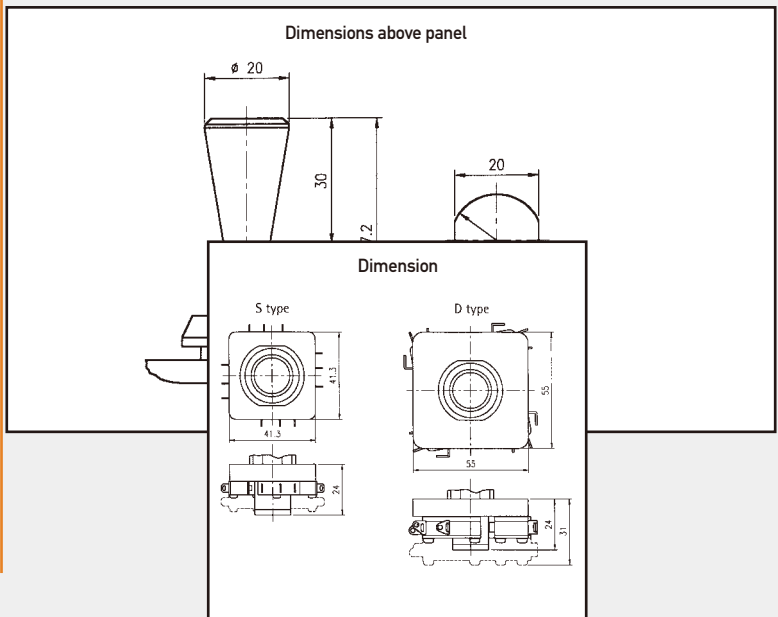
Operating Characteristics

Actuator	Reference	Actuating Force		Release Force		Free Position Maximum		Operating Position		Movement Differential		Overtravel	
		(N)	(ozf)	(N)	(ozf)	(mm)	(in)	(mm)	(in)	(mm)	(in)	(mm)	(in)
Q1 plunger	V3Q1UL	3.3	12.00	1.1	4	31	1.22	28,6 ± 1.5	1,13 ± 0.06	0.4	0.016	4,60	0.18
	V3SQ1UL	3.9	14.00	1.1	4	31	1.22	28,6 ± 1.5	1,13 ± 0.06	0.4	0.016	4,60	0.18
Q roller plunger	QR1UL	3.3	12.00	1.1	4	42	1.65	39,7 ± 1.5	1,56 ± 0.06	0.4	0.016	4,75	0.19
	SQR1UL	3.4	14.00	1.1	4	42	1.65	39,7 ± 1.5	1,56 ± 0.06	0.4	0.016	4,75	0.19
Q1 plunger	2V3Q1UL	8.9	32.00	4.5	16	31	1.22	28,4 ± 1.5	1,12 ± 0.06	1.2	0.05	3,8	0.15
Q2 Plunger	2V3Q2	8.9	32.00	4.5	16	50	1.96	47,4 ± 1.5	1,87 ± 0.06	1.2	0.05	12,1	0.48

Ordering Reference

Basic type	V3Q V3SQ 2V3Q	Example: V3Q	1	UL
Actuators	1 Plunger - sleeve length 18 mm (0.7 in): available with V3Q, V3SQ, 2V3Q R1 Roller plunger: available with V3Q, V3SQ 2 Plunger - sleeve length 29 mm (1.14 in): available with 2V3Q only			
Approvals	UL UL, CSA			

Joystick



innovating motion

700

Panel cut-out (mm)	Ø 22 × 20
Characteristics	<ul style="list-style-type: none"> ■ single or double pole ■ choice of directional gating options ■ miniature or subminiature microswitch types
Rating	up to 15 A, 250 VAC, miniature microswitches (380 series) up to 6 A, 250 VAC, subminiature microswitches (290 series)
Dimensions (mm)	55 × 55 × 55.2, miniature microswitches (380 series) 41.3 × 41.3 × 51.2, subminiature microswitches (290 series)
Actuator	■ knob
Approvals	ENEC, UL and CSA (switch only)



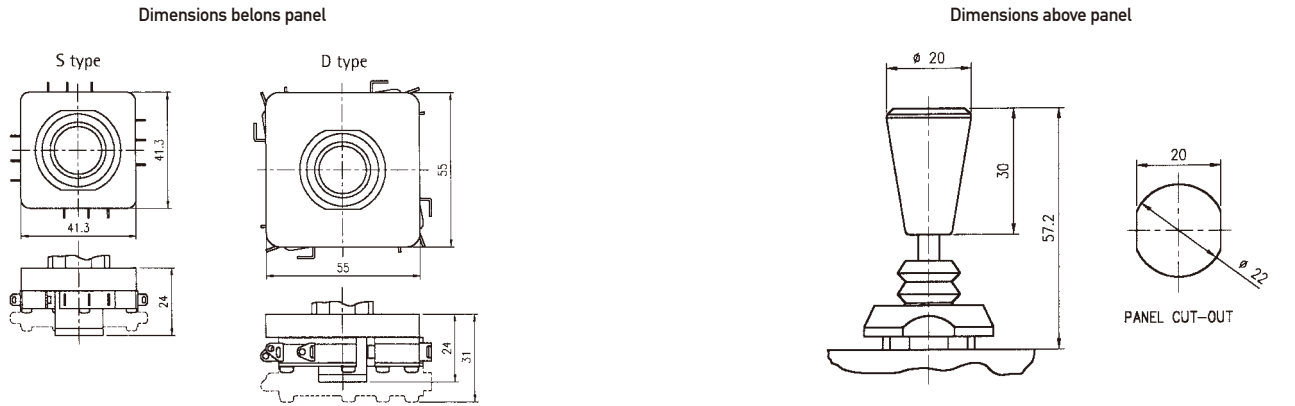
Popular products

Ordering Reference	Panel cut-out	Dimensions	Directional gating	Number of poles	Switch type	Terminal Type	Electrical rating ENEC	UL/CSA
S 721001	Ø 22 × 20	41.3 × 41.3 × 81.2	2 way gate at 180°	1 pole	292/20/150	Solder	6 A, 250 VAC, 25E3, T85	6 A, 250 VAC
S 741001	Ø 22 × 20	41.3 × 41.3 × 81.2	4 way gate at 90°	1 pole	292/20/150	Solder	6 A, 250 VAC, 25E3, T85	6 A, 250 VAC
S 722001	Ø 22 × 20	41.3 × 41.3 × 81.2	2 way gate at 180°	2 pole	292/20/150	Solder	6 A, 250 VAC, 25E3, T85	6 A, 250 VAC
S 742001	Ø 22 × 20	41.3 × 41.3 × 81.2	4 way gate at 90°	2 pole	292/20/150	Solder	6 A, 250 VAC, 25E3, T85	6 A, 250 VAC
D 721001	Ø 22 × 20	55 × 55 × 88.2	2 way gate at 180°	1 pole	382/25/10	Solder	15 (4) A, 250 VAC, 10E3, T85	15 A, ½HP, 125/250 VAC
D 741001	Ø 22 × 20	55 × 55 × 88.2	4 way gate at 90°	1 pole	382/25/10	Solder	15 (4) A, 250 VAC, 10E3, T85	15 A, ½HP, 125/250 VAC
D 722001	Ø 22 × 20	55 × 55 × 88.2	2 way gate at 180°	2 pole	382/25/10	Solder	15 (4) A, 250 VAC, 10E3, T85	15 A, ½HP, 125/250 VAC
D 742001	Ø 22 × 20	55 × 55 × 88.2	4 way gate at 90°	2 pole	382/25/10	Solder	15 (4) A, 250 VAC, 10E3, T85	15 A, ½HP, 125/250 VAC

Specifications

Switch	380 series miniature snap-action microswitches (D type below) or 290 series subminiature snap-action microswitches (S type below)
Body and fixing nut	Nylon 6.6
Spindle	Nylon 6.6 reinforced with stainless steel
Sealing cowl	Neoprene
Knob	Phenolic
Spring	Spring steel

Dimensions



Recommended maximum electrical ratings

Approvals held	None
Electrical rating	D – 15 A, 250 VAC S – 6 A, 250 VAC
Switch Type	D – 382/25/10 (solder) or 383/25/10 (faston) with gold flashed contacts S – 292/20/150 (solder) or 291/20/150 (faston) with gold flashed contacts
Temperature rating	T85 °C
Insulation resistance	>1250 V
Tracking resistance	PTI KB 250

Ordering Reference

Switch	S	290 Series subminiature microswitches	Example: S						7	1	1	0	0	1
	D	380 Series miniature microswitches												
Type	7	700 range												
Directional gating	1	Ungated (stirring action)												
	2	2 way gate												
	4	4 way gate												
Number of poles	1	Single pole												
	2	Double pole												
Spring return	0	Standard (momentary)												
Terminal Type		S Type (290)	D Type (380)											
	0	292 (solder)	382 (solder)											
	1	291 (2.8 × 0.5 faston)	383 (6.35 × 0.8 faston)											
	2	294 – PCB – LH faston	385 (4.8 × 0.5 mm faston)											
Cowl fitted	1	Standard												

J8

Panel cut-out (mm)	Ø 22.5
Characteristics	<ul style="list-style-type: none"> ■ choice of directional gating options ■ choice of microswitch functions
Rating	up to 16 A, 250 VAC up to 5 A, 250 VAC
Dimensions (mm)	up to 74.5 × 74.5 × 105 up to Ø 60 × 60 × 103.5
Actuator	■ knob
Approvals	ENEC, UL and CSA (switch only)



Popular products

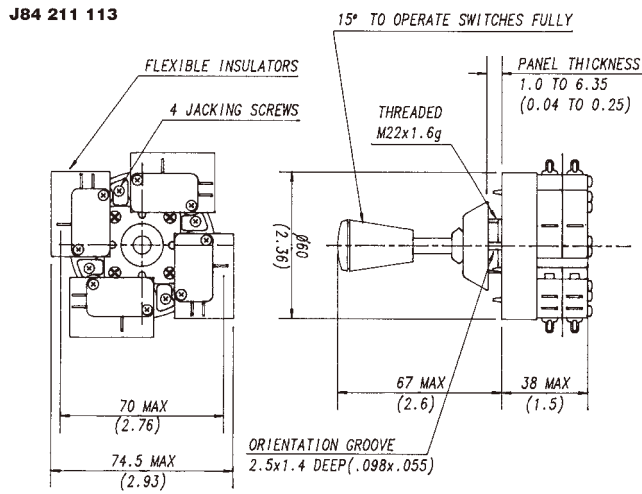
Ordering Reference	Panel cut-out	Dimensions	Directional gating	Number of poles	Actuating modus	Switch type	Terminal Type	Electrical rating ENEC	UL/CSA
J84 111 113	Ø 22.5	74.5 × 74.4 × 94.7	4 way gate at 90°	1 pole	Normal	XG03-88	Solder	16 (6) A, 250 VAC, 5E4, T85	15 A, 250 VAC
J82 111 113	Ø 22.5	74.5 × 74.4 × 94.7	2 way gate at 180°	1 pole	Normal	XG03-88	Solder	16 (6) A, 250 VAC, 5E4, T85	15 A, 250 VAC
J84 112 113	Ø 22.5	74.5 × 74.4 × 94.7	4 way gate at 90°	1 pole	Lift to operate	XG03-88	Solder	16 (6) A, 250 VAC, 5E4, T85	15 A, 250 VAC
J82 112 113	Ø 22.5	74.5 × 74.4 × 94.7	2 way gate at 180°	1 pole	Lift to operate	XG03-88	Solder	16 (6) A, 250 VAC, 5E4, T85	15 A, 250 VAC
J82 211 113	Ø 22.5	74.5 × 74.4 × 105	2 way gate at 180°	2 pole	Normal	XG03-88	Solder	16 (6) A, 250 VAC, 5E4, T85	15 A, 250 VAC
J84 211 113	Ø 22.5	74.5 × 74.4 × 105	4 way gate at 90°	2 pole	Normal	XG03-88	Solder	16 (6) A, 250 VAC, 5E4, T85	15 A, 250 VAC

Specifications

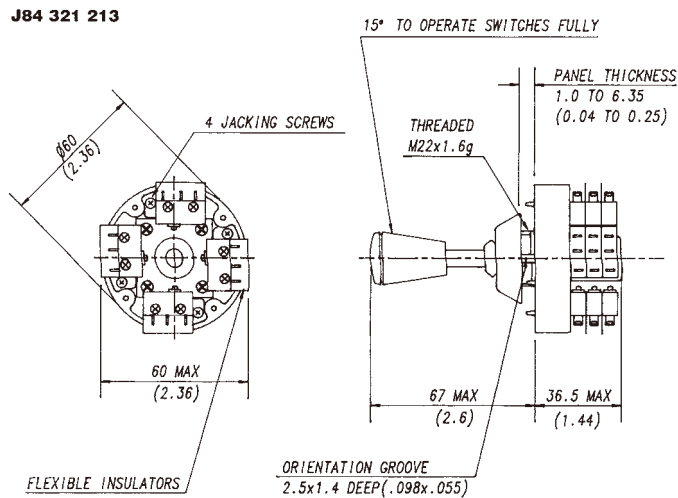
Top plate	Glass fibre reinforced polyamide (PA. 6.6)
Control rod	Steel chrome plated
Bezel/knob	Phenolic
Cowl/'O' ring	Silicon rubber
Temperature range	-40°C to +85°C
Mechanical life	5 × 10 ⁵ cycles minimum
Type of protection	Cowl and 'O' ring provide front of panel sealing. For details of insert switch protection refer to the appropriate section
Mounting	via single hole 22.5 mm (0.89 in) dia
Insert switches	V4NCT7 – Sub-miniature XG03-88 – Miniature (Other types may be possible please consult TH-Contact Electronics)

Dimensions

Dimensions below panel



Dimensions above panel



Recommended maximum electrical ratings

	Voltage	Voltage (V)	Resistive load (A)	Inductive load (A)	
V4NCT7	AC	up to 250	5	2	See pages 52 to 55
	DC	up to 30	5	3	
	DC	up to 50	1	1	
	DC	up to 75	0.75	0.75	
XG03-88	AC	up to 250	16	6	See pages 70 to 73
	DC	up to 30	12	7	
	DC	up to 50	3	1.5	
	DC	up to 75	1	0.6	
	DC	up to 125	0.5	0.3	
	DC	up to 250	0.3	0.2	

Ordering Reference

Basic type		J8	Example: J8				0	1	1	1	113
Number of gates	0	Ungated (stirring action)									
	2	2 gates at 180°									
	4	4 gates at 90°									
Number of switches mounted per gate	1	1 × V4NCT7 or 2 × XG03-88									
	2	2 × V4NCT7 or 2 × XG03-88									
	3	3 × V4NCT7 only									
Type of action	1	Momentary									
	2	Latching									
	4	Stirring									
Mode of operation	1	Normal (Direct push)									
	2	Lift to operate									
Type of micro switches fitted	113	XG03-88									
	213	V4NCT7									

Contact blocks

TH593566020	NO	2.8 × 0.5mm	Contact blocks for TP2, TK2, TR2	gold plated
TH593560020	NO	Insulated faston		
TH593561020	NO	Solder		
TH593566050	NC	2.8 × 0.5mm		
TH593560050	NC	Insulated faston		
TH593561050	NC	Solder		
TH593566000	1 NO + 1 NC	2.8 × 0.5mm		
TH593560000	1 NO + 1 NC	Insulated faston		
TH593561000	1 NO + 1 NC	Solder		
TH593569000	2 NO + 2 NC	2.8 × 0.5mm		
TH593563000	2 NO + 2 NC	Insulated faston		
TH593564000	2 NO + 2 NC	Solder		

TH493500000			Contact blocks for TP4, TP5	gold plated
TH493520000	End plate for TP4, TP5			
TH493521000	(for 1 contact block)		Pairs of screws for TP4, TP5	
TH493522000	(for 2 contact blocks)			
TH493523000	(for 3 contact blocks)			



Mounting nuts (whole range)

TH593545000	Fixation nuts M16 × 1 (TP2, TP5, TP4)
TH593547000	Fixation nuts M22 × 1 flat (TP2, TP5, TP4)
TH493547000	Fixation nuts M22 × 1 large (TP5, TP4)



Countersunk mounting bezel sets (TP2, TP5, TI2, TI5)

For concealed versions only

TH593072000	for Switches 18 × 24 mm, IP40
TH593082000	for Switches 18 × 24 mm, IP67
TH593073000	for Switches 18 × 18 mm, IP40
TH593083000	for Switches 18 × 18 mm, IP67



Panel plugs (TP2, TP5)

TH493000000	18 × 24, IP40
TH493002000	18 × 18, IP40
TH493004000	∅ 18, IP40

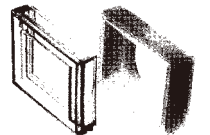


Protecting covers (TP2, TP5, TP4)

TH493033000	Sealing ring D26, alu natural, silicon cap, IP65 (TP5, TP2, TI5, TI2 22.5 mm)
TH493033001	Sealing ring D25, alu natural, strong pebax cap, IP65 (TP5, TP2, TI5, TI2 22.5 mm)



TH493031000	Splashproof protection (transp. plast. upper part only) for exposed bezel 18 × 24 (TP2, TP5, TP4)
-------------	---



TH493010000	Guard bracket, for switches 18 × 24, anodised aluminum (wide sides raised)
-------------	--



TH493011000	Guard bracket, for switches 18 × 18, anodised aluminum (two sides raised)
-------------	---



TH493012000 Guard bracket, for switches \varnothing 18, anodised aluminum



TH493020000 Guard bracket, for switches 18 × 24, black plastic (all sides raised)



TH593032000 Protecting cover with transparent plastic lid, 18 × 18



TH593035000 Protecting cover with transparent plastic lid, 18 × 24



Anti-rotation devices (TK2, TR2, TE8)

TH053205000 for panel cut-out 16.2 mm (TK2, TR2)



TH493532000 for panel cut-out 22.5 mm (TK2, TR2)



TH593080000 Adapter set, key- and rotary switches (TK2, TR2)

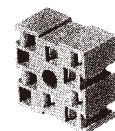


TH060661000 panel cut-out 16.2 mm (TE8)



Plug in socket (TP2)

TH593578000 for 1 contact block TP2 with indicator terminals



TH593568000 for 2 contact blocks TP2 with indicator terminals

TH593582000 for 1 contact block TP2 without indicator terminals



TH593584000 Diode carrier with 2 diodes 1N4007, faston connection without insulation

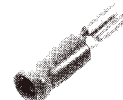


Extra and spare keys (TK2)

TH493049001 to TH493049020 (KABA MICRO, EB0001 – EB0020)

Faston Connectors (TP2, TK2, TR2, TP8)

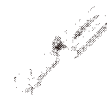
TH593571000 Faston pin, 2.8 × 0.5 mm, insulated, for wires 0.8 – 1.4 mm² (TP2, TK2, TR2)



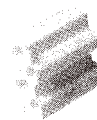
TH593572000 Faston pin, 2.8 × 0.5 mm, for wires 0.5 – 1.0 mm² (TP2, TK2, TR2, TP8)



TH593573000 Faston pin, 2.8 × 0.5 mm, for faston casings, for wires 0.3 – 0.6 mm² (TP2, TK2, TR2)



TH593574000 Sleeve and casing for th25 contact block 1 NO + 1 NC (TP2, TK2, TR2)

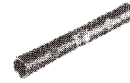


TH593575000 Sleeve and casing for th25 lamp terminals (TP2, TK2, TR2)



Miscellaneous (Lamp extractor, metal and plastic spanners)

TH492000000 Lamp extractor

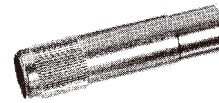


TH492005000 Lens extractor



TH492100000 Metal box-spanner, fixation nut M16 × 1

TH492105000 Metal box-spanner, fixation nut M22 × 1



TH493510000 Insulated terminal cover, for terminal wires



Lamps (TP2, TP5, TI2, TI5)

Incandescent lamps

TH590000000 6 V

TH590001000 12 V

TH590006000 24 V

TH590004000 48 V

Midget – grooved Led

TH590231000 Yellow 6 V

TH590234000 Yellow 12 V

TH590237000 Yellow 24 V

TH590240000 Yellow 48 V

TH590232000 Green 6 V

TH590235000 Green 12 V

TH590238000 Green 24 V

TH590241000 Green 48 V

TH590230000 Red 6 V

TH590233000 Red 12 V

TH590236000 Red 24 V

TH590239000 Red 48 V

Table of Popular Products

Range:	Type	Popular Products	Popular Products	Page
Table of Typical Applications & TH-Contact Series				9
Terminology				10
Push Button	TP2	TP21LAAC1C1A4CN TP21LDAC1C1D4CN TP21MAAC1C1A4CN	TP21MDAC1C1D4CN TP22LFAC1C1F4CN TP22MFAC1C1F4CN	20
	TP5	TP51LAA2A4CN TP51LDA2D4CN TP51MAA2A4CN	TP51MDA2D4CN TP52LFD2F4CN TP52MFD2F4CN	27
	TP4	TP41LAJ2A4NXX TP41LEJ2E4NXX TP41MAJ2A4NXX	TP41MEJ2E4NXX TP42LHJ2H4NXX TP42MHJ2H4NXX	33
	TP8	TP82MDOA30		37
	TP9	TP92MFOA000 TP92MFOA002	TP92MFOA004 TP92MFOA005	40
	TP7	TP71MD1B04XX TP71MD1B02XX TP71MD1B05XX TP71MD1B00XX	TP72MF1B00XX TP72MG4B00C2 TP72MG2B00C4	44
Emergency Stop	TE8	TE82KJB1XX	TE81RGP2A1	53
Indicator	TI2	TI21VAAF4CN	TI22VFAF4CN	57
	TI5	TI51VALA4CN	TI52VFSF4CN	61
	TI9	TI92VFOA500		65
Keypad	TK2	TK21B2A001C1C1A	TK22B2E001C1C1E	67
	E1	E1ACAAAE		73
	M1	M1HAAAAE M1HAEAAE M1HAAAAJ		75
	K2	K23FBA201		78
	P2	P23FBA206 P23FBA209	P23FBC209 P23FMA209	80
	P5	P53FBA201		83
Rotary	TR2	TR21A2AC1C1A TR22A2CC1C1E	TR21C2AC1C1A TR22C2CC1C1E	86
Long overtravel Microswitches	QA4/PBA4	V4NCT7		92
	V3Q	V3Q1UL V3SQ1UL V3SQ1UL	V3SQR1UL 2V3Q1UL 2V3Q2	95
Joystick	700	S 721001 S 741001 S 722001 S 742001	D 721001 D 741001 D 722001 D 742001	99
	J8	J84111113 J82111113 J84112113	J82112113 J82211113 J84211113	101
Accessories for	TP2, TP5, TP4, TP8, TP9, TP7, TE8, TI2, TI5, TI9, TK2, TR2			104
TH-Contact part number index				109

TH Part Number Index

Index

TH Part Number	Product Group	Page
TH 400 004 XXX	TP4	35
TH 400 104 XXX	TP4	35
TH 400 204 XXX	TP4	35
TH 400 304 XXX	TP4	35
TH 402 004 XXX	TP4	35
TH 402 104 XXX	TP4	35
TH 402 204 XXX	TP4	35
TH 402 304 XXX	TP4	35
TH 404 004 XXX	TP4	35
TH 404 019 XXX	TP4	35
TH 404 104 XXX	TP4	35
TH 404 119 XXX	TP4	35
TH 404 204 XXX	TP4	35
TH 404 219 XXX	TP4	35
TH 404 304 XXX	TP4	35
TH 404 319 XXX	TP4	35
TH 410 004 XXX	TP4	35
TH 410 104 XXX	TP4	35
TH 410 204 XXX	TP4	35
TH 410 304 XXX	TP4	35
TH 412 004 XXX	TP4	35
TH 412 104 XXX	TP4	35
TH 412 204 XXX	TP4	35
TH 412 304 XXX	TP4	35
TH 414 004 XXX	TP4	35
TH 414 019 XXX	TP4	35
TH 414 104 XXX	TP4	35
TH 414 119 XXX	TP4	35
TH 414 204 XXX	TP4	35
TH 414 219 XXX	TP4	35
TH 414 304 XXX	TP4	35
TH 414 319 XXX	TP4	35
TH 461 017 000	TP2, TP5, TI2, TI5	23,24,30,59,63
TH 461 021 000	TP2, TP5, TI2, TI5	23,24,30,59,63
TH 461 117 000	TP2, TP5, TI2, TI5	23,24,30,59,63
TH 461 121 000	TP2, TP5, TI2, TI5	23,24,30,59,63
TH 461 217 000	TP2, TP5, TI2, TI5	23,24,30,59,63
TH 461 221 000	TP2, TP5, TI2, TI5	23,24,30,59,63
TH 461 317 000	TP2, TP5, TI2, TI5	23,24,30,59,63
TH 461 321 000	TP2, TP5, TI2, TI5	23,24,30,59,63
TH 461 417 000	TP2, TP5, TI2, TI5	23,24,30,59,63
TH 461 421 000	TP2, TP5, TI2, TI5	23,24,30,59,63
TH 461 617 000	TP2, TP5, TI2, TI5	23,24,30,59,63
TH 461 621 000	TP2, TP5, TI2, TI5	23,24,30,59,63
TH 463 018 000	TP2, TP5, TI2, TI5	23,24,30,59,63
TH 463 021 000	TP2, TP5, TI2, TI5	23,24,30,59,63
TH 463 118 000	TP2, TP5, TI2, TI5	23,24,30,59,63
TH 463 121 000	TP2, TP5, TI2, TI5	23,24,30,59,63
TH 463 218 000	TP2, TP5, TI2, TI5	23,24,30,59,63
TH 463 221 000	TP2, TP5, TI2, TI5	23,24,30,59,63
TH 463 318 000	TP2, TP5, TI2, TI5	23,24,30,59,63
TH 463 321 000	TP2, TP5, TI2, TI5	23,24,30,59,63
TH 463 418 000	TP2, TP5, TI2, TI5	23,24,30,59,63
TH 463 421 000	TP2, TP5, TI2, TI5	23,24,30,59,63
TH 463 618 000	TP2, TP5, TI2, TI5	23,24,30,59,63
TH 463 621 000	TP2, TP5, TI2, TI5	23,24,30,59,63
TH 465 001 000	TP2, TP5, TI2, TI5	24,25,31,60,64
TH 465 015 000	TP2, TP5, TP4, TI2, TI5	23,24,25,26,30,31,59,60,63,64
TH 465 021 000	TP2, TP5, TI2, TI5	23,24,30,59,63
TH 465 101 000	TP2, TP5, TI2, TI5	24,25,31,60,64
TH 465 115 000	TP2, TP5, TP4, TI2, TI5	23,24,25,26,30,31,59,60,63,64
TH 465 121 000	TP2, TP5, TI2, TI5	23,24,30,59,63
TH 465 201 000	TP2, TP5, TI2, TI5	24,25,31,60,64
TH 465 215 000	TP2, TP5, TP4, TI2, TI5	23,24,25,26,30,31,59,60,63,64
TH 465 221 000	TP2, TP5, TI2, TI5	23,24,30,59,63
TH 465 301 000	TP2, TP5, TI2, TI5	24,25,31,60,64
TH 465 315 000	TP2, TP5, TP4, TI2, TI5	23,24,25,26,30,31,59,60,63,64
TH 465 321 000	TP2, TP5, TI2, TI5	23,24,30,59,63

TH Part Number	Product Group	Page
TH 465 401 000	TP2, TP5, TI2, TI5	24,25,31,60,64
TH 465 415 000	TP2, TP5, TP4, TI2, TI5	23,24,25,26,30,31,59,60,63,64
TH 465 421 000	TP2, TP5, TI2, TI5	23,24,30,59,63
TH 465 501 000	TP5	30
TH 465 601 000	TP2, TI2, TI5	24,25,60,64
TH 465 615 000	TP2, TP5, TP4, TI2, TI5	23,24,25,26,30,31,59,60,63,64
TH 465 621 000	TP2, TP5, TI2, TI5	23,24,30,59,63
TH 493 060 000	TK2, TR2	70,71,89,90
TH 493 062 000	TK2, TR2	70,71,89,90
TH 493 064 000	TK2, TR2	70,71,89,90
TH 500 002 000	TP5	30
TH 500 008 000	TP5	30
TH 500 102 000	TP5	30
TH 500 108 000	TP5	30
TH 500 202 000	TP5	30
TH 500 208 000	TP5	30
TH 500 302 000	TP5	30
TH 500 308 000	TP5	30
TH 501 002 000	TP2	23
TH 501 008 000	TP2	23
TH 501 015 000	TP2	23
TH 501 102 000	TP2	24
TH 501 108 000	TP2	24
TH 501 115 000	TP2	24
TH 502 002 000	TP5	30
TH 502 008 000	TP5	30
TH 502 102 000	TP5	30
TH 502 108 000	TP5	30
TH 502 202 000	TP5	30
TH 502 208 000	TP5	30
TH 502 302 000	TP5	30
TH 502 308 000	TP5	30
TH 503 002 000	TP2	23
TH 503 008 000	TP2	23
TH 503 015 000	TP2	23
TH 503 102 000	TP2	24
TH 503 108 000	TP2	24
TH 503 115 000	TP2	24
TH 504 002 000	TP5	30
TH 504 008 000	TP5	30
TH 504 018 000	TP5	31
TH 504 033 000	TP5	31
TH 504 050 000	TP5	31
TH 504 102 000	TP5	30
TH 504 108 000	TP5	30
TH 504 118 000	TP5	31
TH 504 133 000	TP5	31
TH 504 150 000	TP5	31
TH 504 202 000	TP5	30
TH 504 208 000	TP5	30
TH 504 218 000	TP5	31
TH 504 233 000	TP5	31
TH 504 250 000	TP5	31
TH 504 302 000	TP5	30
TH 504 308 000	TP5	30
TH 504 318 000	TP5	31
TH 504 333 000	TP5	31
TH 504 350 000	TP5	31
TH 505 002 000	TP2	23
TH 505 008 000	TP2	23
TH 505 015 000	TP2	23
TH 505 020 000	TP2	25
TH 505 033 000	TP2	25
TH 505 050 000	TP2	25
TH 505 051 000	TP2	25
TH 505 102 000	TP2	24
TH 505 108 000	TP2	24

TH Part Number Index

Index

TH Part Number	Product Group	Page
TH 505 115 000	TP2	24
TH 508 020 000	TR2	89
TH 508 021 000	TR2	89
TH 508 025 000	TR2	89
TH 508 026 000	TR2	89
TH 508 030 000	TR2	89
TH 508 031 000	TR2	89
TH 508 040 000	TR2	90
TH 508 041 000	TR2	90
TH 508 042 000	TR2	90
TH 508 043 000	TR2	90
TH 508 044 000	TR2	90
TH 508 045 000	TR2	90
TH 508 046 000	TR2	90
TH 508 047 000	TR2	90
TH 508 048 000	TR2	90
TH 508 060 000	TR2	90
TH 508 061 000	TR2	90
TH 508 062 000	TR2	90
TH 508 063 000	TR2	90
TH 510 002 000	TP5	30
TH 510 008 000	TP5	30
TH 510 102 000	TP5	30
TH 510 108 000	TP5	30
TH 510 202 000	TP5	30
TH 510 208 000	TP5	30
TH 510 302 000	TP5	30
TH 510 308 000	TP5	30
TH 511 002 000	TP2	23
TH 511 008 000	TP2	23
TH 511 015 000	TP2	23
TH 511 102 000	TP2	24
TH 511 108 000	TP2	24
TH 511 115 000	TP2	24
TH 512 002 000	TP5	30
TH 512 008 000	TP5	30
TH 512 102 000	TP5	30
TH 512 108 000	TP5	30
TH 512 202 000	TP5	30
TH 512 208 000	TP5	30
TH 512 303 000	TP5	30
TH 512 308 000	TP5	30
TH 513 002 000	TP2	23
TH 513 008 000	TP2	23
TH 513 015 000	TP2	23
TH 513 102 000	TP2	24
TH 513 108 000	TP2	24
TH 513 115 000	TP2	24
TH 514 002 000	TP5	30
TH 514 008 000	TP5	30
TH 514 018 000	TP5	31
TH 514 033 000	TP5	31
TH 514 050 000	TP5	31
TH 514 102 000	TP5	30
TH 514 108 000	TP5	30
TH 514 118 000	TP5	31
TH 514 133 000	TP5	31
TH 514 150 000	TP5	31
TH 514 202 000	TP5	30
TH 514 208 000	TP5	30
TH 514 218 000	TP5	31
TH 514 233 000	TP5	31
TH 514 250 000	TP5	31
TH 514 302 000	TP5	30
TH 514 308 000	TP5	30
TH 514 318 000	TP5	31
TH 514 333 000	TP5	31
TH 514 350 000	TP5	31

TH Part Number	Product Group	Page
TH 515 002 000	TP2	23
TH 515 008 000	TP2	23
TH 515 015 000	TP2	23
TH 515 020 000	TP2	25
TH 515 033 000	TP2	25
TH 515 050 000	TP2	25
TH 515 051 000	TP2	25
TH 515 102 000	TP2	24
TH 515 108 000	TP2	24
TH 515 115 000	TP2	24
TH 515 133 000	TP2	26
TH 515 150 000	TP2	26
TH 515 151 000	TP2	26
TH 544 040 XXX	TK2	70
TH 544 041 XXX	TK2	70
TH 544 042 XXX	TK2	70
TH 544 043 XXX	TK2	70
TH 544 050 XXX	TK2	72
TH 544 051 XXX	TK2	72
TH 544 052 XXX	TK2	72
TH 544 053 XXX	TK2	72
TH 544 054 XXX	TK2	72
TH 544 055 XXX	TK2	72
TH 544 056 XXX	TK2	72
TH 544 057 XXX	TK2	72
TH 544 058 XXX	TK2	72
TH 544 059 XXX	TK2	72
TH 544 060 XXX	TK2	72
TH 544 061 XXX	TK2	72
TH 544 062 XXX	TK2	72
TH 544 062 XXX	TK2	72
TH 544 062 XXX	TK2	72
TH 544 050 XXX	TK2	72
TH 544 051 XXX	TK2	72
TH 544 052 XXX	TK2	72
TH 544 053 XXX	TK2	72
TH 544 054 XXX	TK2	72
TH 544 055 XXX	TK2	72
TH 544 056 XXX	TK2	72
TH 544 057XXX	TK2	72
TH 544 058XXX	TK2	72
TH 544 059XXX	TK2	72
TH 544 060XXX	TK2	72
TH 544 061XXX	TK2	72
TH 544 062XXX	TK2	72
TH 544 062XXX	TK2	72
TH 548 032 XXX	TK2	70
TH 548 034 XXX	TK2	70
TH 548 036 XXX	TK2	70
TH 548 038 XXX	TK2	70
TH 548 050 XXX	TK2	71
TH 548 051 XXX	TK2	71
TH 548 052 XXX	TK2	71
TH 548 053 XXX	TK2	71
TH 548 054 XXX	TK2	71
TH 548 055 XXX	TK2	71
TH 548 056 XXX	TK2	71
TH 548 057 XXX	TK2	71
TH 548 058 XXX	TK2	71
TH 548 059 XXX	TK2	71
TH 548 060 XXX	TK2	71
TH 548 061 XXX	TK2	71
TH 548 062 XXX	TK2	71
TH 548 063 XXX	TK2	71
TH 548 132 XXX	TK2	70
TH 548 134 XXX	TK2	70
TH 548 136 XXX	TK2	70
TH 548 138 XXX	TK2	70
TH 548 150 XXX	TK2	71
TH 548 151 XXX	TK2	71

TH Part Number Index

Index

TH Part Number	Product Group	Page
TH 548 152 XXX	TK2	71
TH 548 153 XXX	TK2	71
TH 548 154 XXX	TK2	71
TH 548 155 XXX	TK2	71
TH 548 156 XXX	TK2	71
TH 548 157 XXX	TK2	71
TH 548 158 XXX	TK2	71
TH 548 159 XXX	TK2	71
TH 548 160 XXX	TK2	71
TH 548 161 XXX	TK2	71
TH 548 162 XXX	TK2	71
TH 548 163 XXX	TK2	71
TH 551 002 000	TI2	59
TH 551 008 000	TI2	59
TH 551 015 000	TI2	59
TH 551 102 000	TI2	59
TH 551 108 000	TI2	59
TH 551 115 000	TI2	59
TH 553 002 000	TI2	59
TH 553 008 000	TI2	59
TH 553 015 000	TI2	59
TH 553 102 000	TI2	59
TH 553 108 000	TI2	59
TH 553 115 000	TI2	59
TH 555 002 000	TI2	59
TH 555 008 000	TI2	59
TH 555 015 000	TI2	59
TH 555 102 000	TI2	59
TH 555 108 000	TI2	59
TH 555 115 000	TI2	59
TH 555 018 000	TI2	60
TH 555 020 000	TI2	60
TH 555 033 000	TI2	60
TH 555 050 000	TI2	60
TH 555 051 000	TI2	60
TH 555 118 000	TI2	60
TH 555 120 000	TI2	60
TH 555 133 000	TI2	60
TH 555 150 000	TI2	60
TH 555 151 000	TI2	60
TH 550 037 000	TI5	63
TH 552 008 000	TI5	63
TH 552 037 000	TI5	63
TH 554 008 000	TI5	63
TH 554 037 000	TI5	63
TH 555 008 000	TI5	63
TH 554 018 000	TI5	64
TH 554 033 000	TI5	64
TH 554 050 000	TI5	64
TH 561 011 000	TP2, TI2	23,24,59
TH 561 111 000	TP2, TI2	23,24,59
TH 561 211 000	TP2, TI2	23,24,59
TH 561 311 000	TP2, TI2	23,24,59
TH 561 411 000	TP2, TI2	23,24,59
TH 561 611 000	TP2, TI2	23,24,59
TH 563 011 000	TP2, TI2	23,24,59
TH 563 111 000	TP2, TI2	23,24,59
TH 563 211 000	TP2, TI2	23,24,59
TH 563 311 000	TP2, TI2	23,24,59
TH 563 411 000	TP2, TI2	23,24,59
TH 563 611 000	TP2, TI2	23,24,59
TH 565 011 000	TP2, TI2	23,24,59
TH 565 024 000	TP2, TI2	25,26,60
TH 565 025 000	TP2, TI2	25,26,60
TH 565 111 000	TP2, TI2	23,24,59
TH 565 124 000	TP2, TI2	25,26,60
TH 565 125 000	TP2, TI2	25,26,60
TH 565 211 000	TP2, TI2	23,24,59

TH Part Number	Product Group	Page
TH 565 224 000	TP2, TI2	25,26,60
TH 565 225 000	TP2, TI2	25,26,60
TH 565 311 000	TP2, TI2	23,24,59
TH 565 324 000	TP2, TI2	25,26,60
TH 565 325 000	TP2, TI2	25,26,60
TH 565 411 000	TP2, TI2	23,24,59
TH 565 424 000	TP2, TI2	25,26,60
TH 565 425 000	TP2, TI2	25,26,60
TH 565 511 000	TP2, TI2	23,24,59
TH 565 611 000	TP2, TI2	23,24,59
TH 565 624 000	TP2, TI2	25,26,60
TH 565 625 000	TP2, TI2	25,26,60
TH 590 000 000	TP2, TP5, TI2, TI5	23,24,25,26,30,31,59,60,63,64
TH 590 001 000	TP2, TP5, TI2, TI5	23,24,25,26,30,31,59,60,63,64
TH 590 004 000	TP2, TP5, TI2, TI5	23,24,25,26,30,31,59,60,63,64
TH 590 006 000	TP2, TP5, TI2, TI5	23,24,25,26,30,31,59,60,63,64
TH 590 230 000	TP2, TP5, TI2, TI5	23,24,25,26,30,31,59,60,63,64
TH 590 231 000	TP2, TP5, TI2, TI5	23,24,25,26,30,31,59,60,63,64
TH 590 232 000	TP2, TP5, TI2, TI5	23,24,25,26,30,31,59,60,63,64
TH 590 233 000	TP2, TP5, TI2, TI5	23,24,25,26,30,31,59,60,63,64
TH 590 234 000	TP2, TP5, TI2, TI5	23,24,25,26,30,31,59,60,63,64
TH 590 235 000	TP2, TP5, TI2, TI5	23,24,25,26,30,31,59,60,63,64
TH 590 236 000	TP2, TP5, TI2, TI5	23,24,25,26,30,31,59,60,63,64
TH 590 237 000	TP2, TP5, TI2, TI5	23,24,25,26,30,31,59,60,63,64
TH 590 238 000	TP2, TP5, TI2, TI5	23,24,25,26,30,31,59,60,63,64
TH 590 239 000	TP2, TP5, TI2, TI5	23,24,25,26,30,31,59,60,63,64
TH 590 240 000	TP2, TP5, TI2, TI5	23,24,25,26,30,31,59,60,63,64
TH 590 241 000	TP2, TP5, TI2, TI5	23,24,25,26,30,31,59,60,63,64
TH 593 060 000	TK2, TR2	70,71,89,90
TH 593 062 000	TK2, TR2	70,71,89,90
TH 593 064 000	TK2, TR2	70,71,89,90
TH 593 560 000	TP2, TK2, TR2	23,24,25,26,70,71,72,89,90
TH 593 560 020	TP2, TK2, TR2	23,24,25,26,70,71,72,89,90
TH 593 560 050	TP2, TK2, TR2	23,24,25,26,70,71,72,89,90
TH 593 561 000	TP2, TK2, TR2	23,24,25,26,70,71,72,89,90
TH 593 561 020	TP2, TK2, TR2	23,24,25,26,70,71,72,89,90
TH 593 561 050	TP2, TK2, TR2	23,24,25,26,70,71,72,89,90
TH 593 563 000	TP2, TK2, TR2	23,24,25,26,70,71,72,89,90
TH 593 564 000	TP2, TK2, TR2	23,24,25,26,70,71,72,89,90
TH 593 566 000	TP2, TK2, TR2	23,24,25,26,70,71,72,89,90
TH 593 566 020	TP2, TK2, TR2	23,24,25,26,70,71,72,89,90
TH 593 566 050	TP2, TK2, TR2	23,24,25,26,70,71,72,89,90
TH 593 567 000	TP2, TK2, TR2	23,24,25,26,70,71,72,89,90
TH 702 0XX 129	TP7	50
TH 702 1XX 129	TP7	50
TH 702 5XX 166	TP7	50
TH 702 6XX 166	TP7	50
TH 703 0XX 130	TP7	50
TH 703 0XX 131	TP7	50
TH 703 1XX 130	TP7	50
TH 703 1XX 131	TP7	50
TH 703 5XX 164	TP7	50
TH 703 6XX 164	TP7	50
TH 705 5XX 170	TP7	50
TH 705 5XX 171	TP7	50
TH 705 5XX 174	TP7	50
TH 705 5XX 175	TP7	50
TH 705 5XX 178	TP7	50
TH 705 5XX 179	TP7	50
TH 706 2XX 141	TP7	51
TH 706 2XX 142	TP7	51
TH 706 2XX 158	TP7	51
TH 706 2XX 159	TP7	51
TH 706 5XX 159	TP7	51
TH 706 5XX 180	TP7	51
TH 706 5XX 181	TP7	51
TH 706 5XX 184	TP7	51
TH 706 5XX 185	TP7	51

TH Part Number Index

Index

TH Part Number	Product Group	Page
TH 706 5XX 188	TP7	51
TH 807 503 00X	TP8	38
TH 807 503 10X	TP8	38
TH 807 503 20X	TP8	38
TH 807 503 40X	TP8	38
TH 807 503 50X	TP8	38
TH 807 503 80X	TP8	38
TH 880 203 000	TE8	55
TH 880 204 000	TE8	55
TH 881 203 000	TE8	55
TH 881 204 000	TE8	55
TH 885 503 100	TE8	55
TH 885 504 100	TE8	55
TH 893 000 000	TE8	55
TH 893 001 000	TE8	55
TH 893 002 000	TE8	55
TH 893 003 000	TE8	55
TH 893 010 000	TE8	55
TH 893 011 000	TE8	55

TH Part Number	Product Group	Page
TH 920 X00 XX1	TP9	42
TH 920 X01 XX1	TP9	42
TH 920 X02 XX1	TP9	42
TH 920 X04 XX1	TP9	42
TH 920 X05 XX1	TP9	42
TH 920 X08 XX1	TP9	42
TH 921 000 XX3	TP9	41
TH 921 001 XX3	TP9	41
TH 921 002 XX3	TP9	41
TH 921 004 XX3	TP9	41
TH 921 005 XX3	TP9	41
TH 921 008 XX3	TP9	41
TH 920 000 504	T19	65
TH 920 001 504	T19	65
TH 920 002 504	T19	65
TH 920 004 504	T19	65
TH 920 005 504	T19	65
TH 920 008 504	T19	65

Headquarters

Johnson Electric Holdings Limited
Johnson Building, 6-22 Dai Shun St, Tai Po Industrial
Estate, New Territories

Hong Kong

Tel: +852 2663 6688

Fax: +852 2897 2054

e-mail: salesupport@johnsonelectric.com

Sales Offices

Asia

Shanghai, China

12/F, Hua Rong Tower
1289 Pudong Road South

Shanghai

200122 China

Tel: +86 21 5882 2880

Fax: +86 21 5882 2800

Tokyo, Japan

Keihin Higashi-Ohi Bldg.
10/F, 2-13-8 Higashi-Ohi
Shinagawa-ku

Tokyo 140-0011 Japan

Tel: +81 3 5762 1031

Fax: +81 3 5762 1032

Seoul, Korea

Misung Bldg B127, 115-7
Nonhyun-Dong, Kangnam-Gu,
Seoul, Korea 135-010

Tel: +82 2 518 8347/8341

Fax: +82 2 518 8342

Singapore

50 Raffles Place #24-02,
Singapore Land Tower

Singapore 048623

Tel: +65 6224 7570

Fax: +65 6224 4538

Europe

Austria

Slovenia, Slovakia, Hungary,

Czech Republic

Linzer Bundesstrasse 101

A-5023 **Salzburg**

T +43 662 88 4910

F +43 662 88 4910 11

France

10 Bld. Louise Michel

F-92230 **Gennevilliers**

T +33 1 46 88 07 70

F +33 1 46 88 07 99

78 Boulevard du 11 Novembre
69003 **Villeurbanne**

Tel : +33 4 37 48 84 60

Fax :+33 4 72 43 90 11

Germany

Sweden, Denmark,

Norway, Finland

Weissenpferd 9

D-58553 **Halver**

T +49 2353 911 0

F +49 2353 911 230

Italy

Via Cadamosto 3

I-20094 Corsico, **Milano**

T +39 02 4869 21

F +39 02 4860 0692

1, Via Vittime di Piazza Fontana

I-10024 **Moncalieri**

T +39 011 68 05 401

F +39 011 68 05 411

Switzerland

Poland, Spain, Turkey, Portugal

Bahnhofstrasse 18

CH-3280 **Murten**

T +41 26 672 71 11

F +41 26 670 19 83

The Netherlands/Belgium

Hanzeweg 12c

NL-2803 **MC Gouda**

T +31 1825 43 154

F +31 1825 43 151

United Kingdom/Ireland

Dukesway

Team Valley Trading Estate

Gateshead

Tyne & Wear NE11 0UB

United Kingdom

T +44 191 401 61 00

F +44 191 401 63 05

North America

Connecticut

10 Progress Drive, **Shelton**,
CT 06484, USA

Tel: +1 203 447 5362

Fax: +1 203 447 5383

Michigan

47660 Halyard, **Plymouth**,
MI 48170-2429

Tel. +1 734 392 5300

Fax. +1 734 392 5388

North Carolina

303 Gregson Drive, **Cary**,
NC 27512

Tel: (919) 469-8522

Fax: (919) 481-3496

Tennessee

755 Bill Jones Industrial Drive

Springfield, TN 37172

Tel: 615-384-8555

Fax: 615-384-9676

Illinois

3115 N. Wilke Road - Suite C

Arlington Heights,

IL 60004 847-368-2146

Ohio

801 Scholz Drive

Vandalia, OH 45377

Tel. +1 937 454 2345

Fax. +1 937 898 8624

Ontario, Canada

70 Ironside Crescent Unit 7

Scarborough, **Ontario**

M1X 1G4 Canada

Tel: +1 416 299 0852

Fax: +1 416 299 6756

Johnson Electric Group

Johnson Building, 6-22 Dai Shun Street

Tai Po Industrial Estate, N.T., Hong Kong

Tel: (852) 2663 6688

Fax: (852) 2663 6110

Web Site: www.johnsonelectric.com