

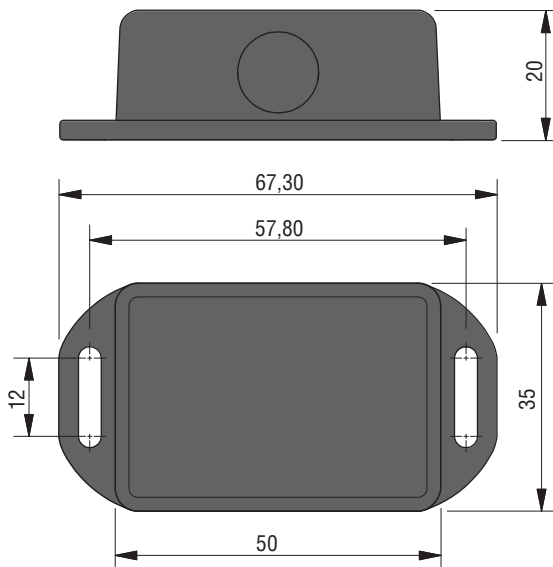
Vision is
our mission®

Zoom Control Box
Article no. 0702100
2017 • DS0963301 EN A 01

Product Data

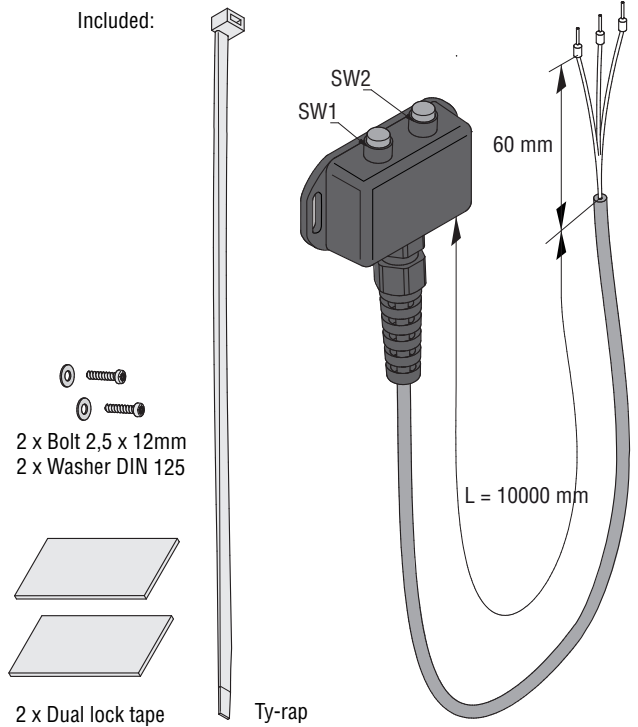


Dimensions



Units in mm

Included:



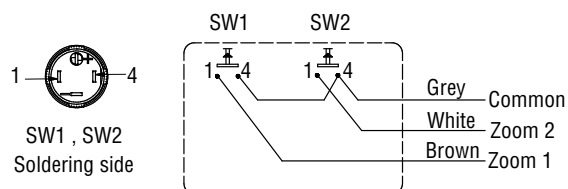
2 x Bolt 2,5 x 12mm
2 x Washer DIN 125

TECHNICAL DATA

Zoom Control Box

Article no.	Description
Use	0702100
Material	Operating zoom in and zoom out function of the camera AF Zoom on a crane.
Protection	Black, ABS plastic.
Weight	Against access of dust and splashing water. IP54.
Operating temperature	0,028kg.
Included	-40°C...+85°C.
	Hardware, Tyrap and Locktape.

Electrical connection



All data subject to change without notice. All dimensions are for commercial purpose only.
The camera/display systems from Orlaco comply with the latest CE, ADR, EMC and mirror-directive regulations, where applicable.
All products are manufactured in accordance with the ISO 9001 quality management system, ISO/TS 16949 quality automotive, ISO 14001 environmental management systems and all Ex products with the IECEx scheme and ATEX directives, where applicable.

