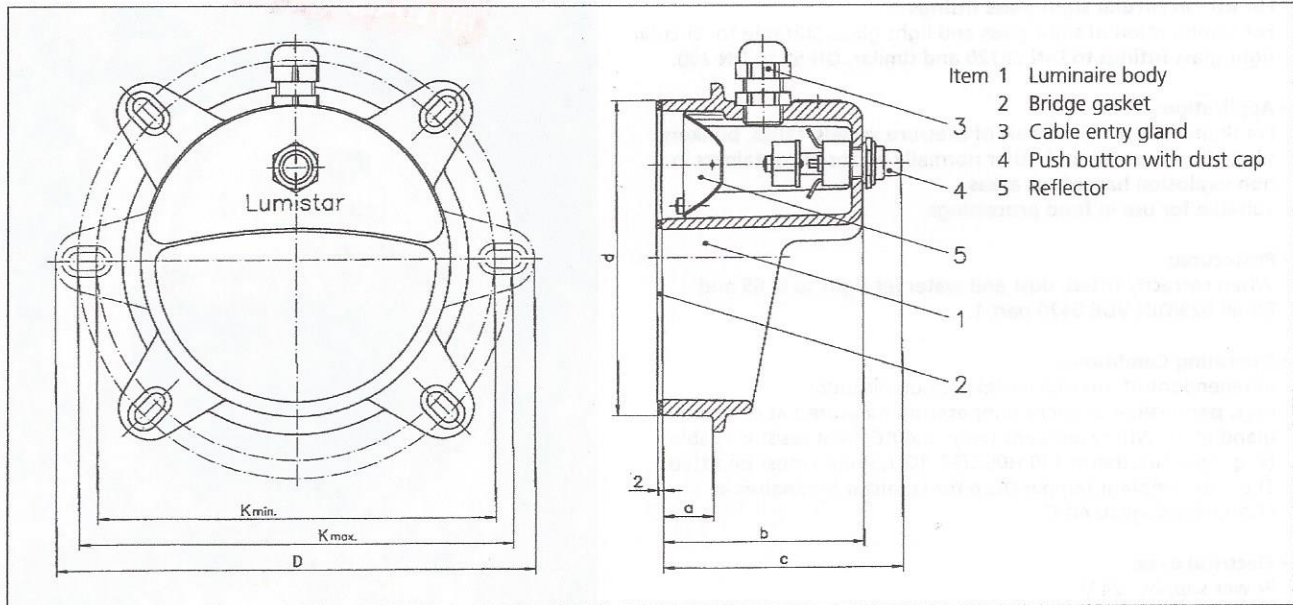


Lumiglas

• Dimensions and connecting data for Lumiglas luminaire Lumistar



• Parts, construction and materials:

Luminaire body: Corrosion resistant die cast aluminium
Paint finish: RAL 9007

Size		1	2	3*	4*	5*	6*
Type Lumistar (= viewing diameter)		Lumistar 80	Lumistar 100 **	Lumistar 125 **	Lumistar 150 **	Lumistar 175 **	Lumistar 225 **
Matches to fitting DIN 28120	DN	50	80	100	125	150	200
Operating voltage	V	24	24	24	24	24	24
Power	W	20	50	50 or 100	50 or 100	50 or 100	50 or 100
Bolt pitch circle Ø	K min.	104	126	155	180	208	258
	K max.	118	140	169	194	222	282
	D	135	157	186	211	243	303
	d	77	97	122	147	172	222
	a	13	17	19	22	27	32
	b	65	75	77	80	85	95
	c	80	90	92	95	100	110
Fixing holes	oval hole	2 p.: 14 x 7	2 p.: 14 x 7	4 p.: 14 x 7	4 p.: 14 x 7	4 p.: 16 x 9	4 p.: 21 x 9
Bolts		M 6 x 16	M 6 x 16	M 6 x 16	M 6 x 16	M 8 x 16	M 8 x 16
Weight appx.	kg	0.300	0.450	0.550	0.650	0.800	1.400
Part no.		3544.001.00	3544.007.00	3544.014.00	3544.019.00	3544.024.00	3544.029.00

* Can be combined with Lumiglas sight glass wiper SW1

** also available in LED-technology

• Order data: e. g. Lumiglas luminaire Lumistar 125, Part no. 3544.019.00, 24 V/100 W

The appropriate lamp, corresponding to the required power, is separately packed as part of the supply.

Hence the importance of stating desired lamp power; in absence of such information, a lamp considered correct for the specified luminaire model will be sent.

All dimensions in mm unless stated otherwise. Subject to change without prior notice. 07.17