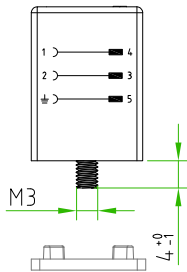
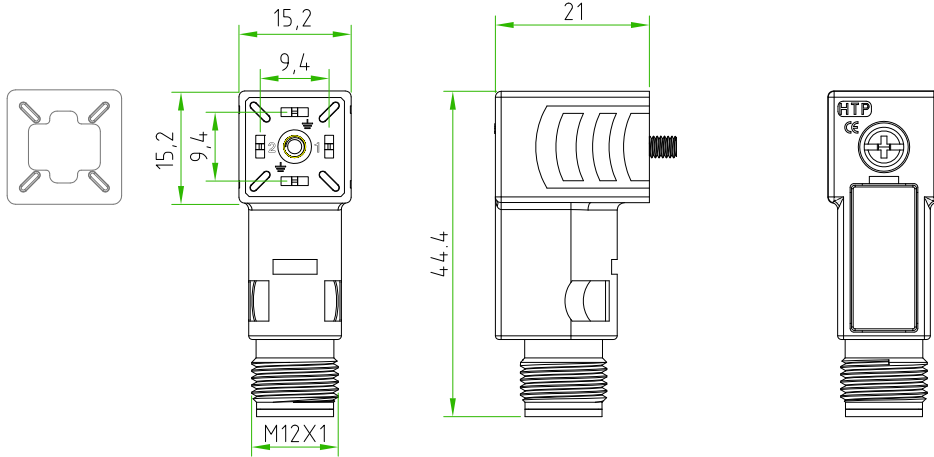
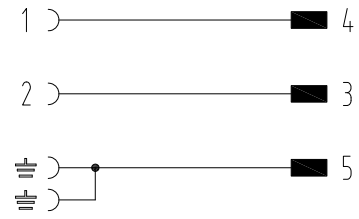
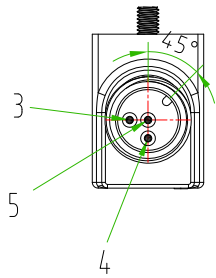


Rev.				
Modify				
Date				
Signed				
Approved				

Rev.				
Modify				
Date				
Signed				
Approved				

Rev.				
Modify				
Date				
Signed				
Approved				



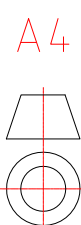
PRODUCT TYPE	ADAPTER SQUARE MICRO CONNECTOR EN175301-803 INDUSTRIAL STANDARD(TYPE C) + M12 CIRCULAR CONNECTOR
CONNECTOR TYPE	SQUARE MICRO INDUSTRIAL CONNECTOR EN175301-803(TYPE C)
CONNECTOR COLOUR	BLACK
CONTACTS SPACING	9,4mm
NUMBER OF CONTACTS	2POLES+2EARTHS
EARTH POSITIONING	H.6-12
CENTRAL FIXING SCREW	M3X0,5 L=22,5mm
GASKET TYPE	INTEGRATED (NBR)
PROTECTION CLASS	IP67
CIRCUIT TYPE	WITHOUT ELECTRONIC
RATED VOLTAGE	60V AC/DC
M12 CONNECTOR TYPE	STRAIGHT 180°
M12 CONTACTS TYPE	MALE 3POLES
M12 CONTACTS CONNECTED	N°3
CONNECTOR WITH H.T.P.LOGO	

CUSTOMER APPROVAL

SIGNATURE	DATE

PLEASE SIGN AND RETURN

Designer	CIMMINO L.	Date	2015-11-02	Tolerance	±0.1	Units:	mm	Series	ADAPTER	Drawing n.	1-1
Approved	MAZZOLA M.	Date	2015-11-02	Scale	1:1	Size:	A4	Customer code:			



	DESCRIPTION	H.T.P.PART NUMBER
	ADAPTER SQUARE MICRO CONNECTOR EN175301-803,INDUSTRIAL STANDARD(type-C), 2P.+P.E.,9,4mm,BLACK,WITHOUT ELECTRONIC 1-230V,+M12 CONNECTOR MALE 3POLES .CONNECTOR WITH H.T.P.LOGO	P2N02000C-12MD