



Ultimate Connector with Integral Cable Clamp Cap

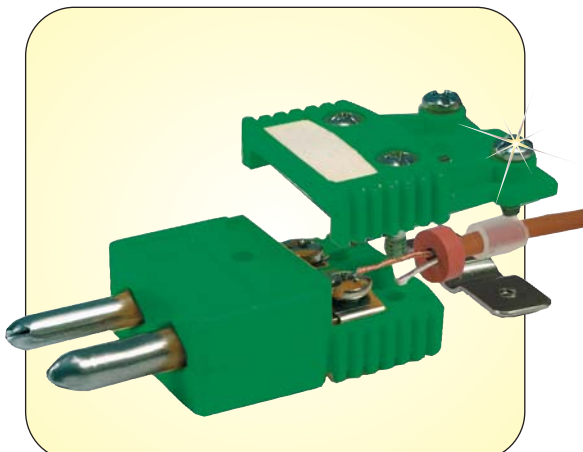
Glass Filled Nylon Range -29 to 220°C

Type OSTW Standard Size with Cable Clamp Cap

OSTW-CC Series
Starts at
£2

- ✓ Integral Cap and Cable Clamp
- ✓ Strain Relief With Grommet
- ✓ Captive Cover Screws
- ✓ Captive Clamp Screws
- ✓ Accepts Stranded or Solid Wire up to Diameter 1.6 mm
- ✓ Contact Washers for Quick Connect Wire Terminations
- ✓ No Wire Loop Required
- ✓ Internal Wire Divider
- ✓ Write-On Window
- ✓ Combination Phillips/Slot Screws
- ✓ 100% Top Side Assembly

Reduce Assembly Time From 3 Minutes to Less Than 1 Minute!



Incredible Labour Saver! No Loose Screws, All Cover Screws Are Captive!

Terminate straight wire, wire loop not necessary.

Back plate: 3 mmø supplied to fit soft wire. Optional: 6 mmø to fit armoured cable, see page 163

See page 189 for TC wire selection.

Contact washers.

Grommets included, see page 163 for back plate and grommet options.

All screws are combination head.

Hollow prong standard, solid prong available.

OSTW-CC-KI-M
£2, shown larger than actual size.

OSTW-CC-KI-F
£2.70, shown larger than actual size.

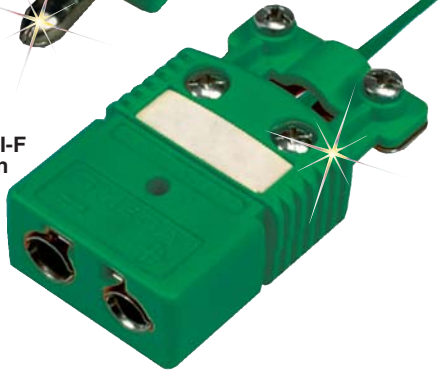
SMPW-CC-KI-M
£1.65, shown actual size, see page 167

Universal Female Mates with Standard or Miniature Thermocouple Connectors

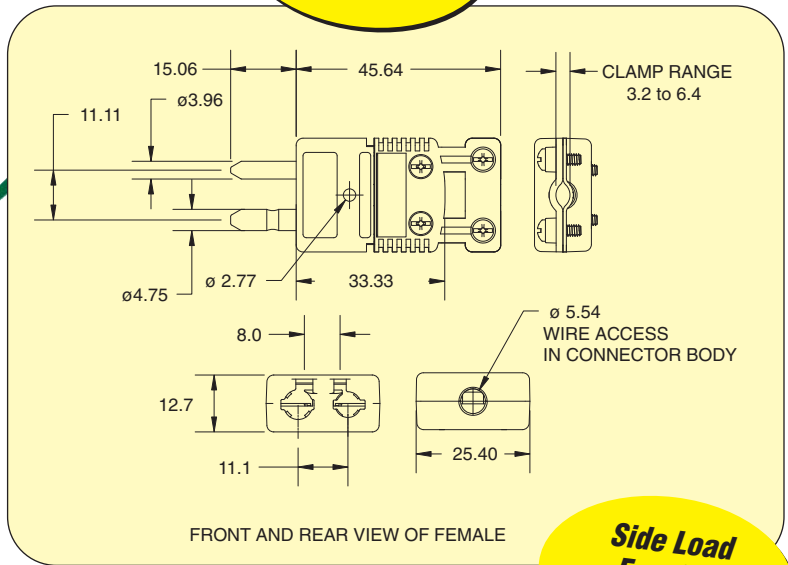
OSTW-CC-KI-M
£2, shown
actual size.



OSTW-CC-KI-F
£2.70, shown
actual size.

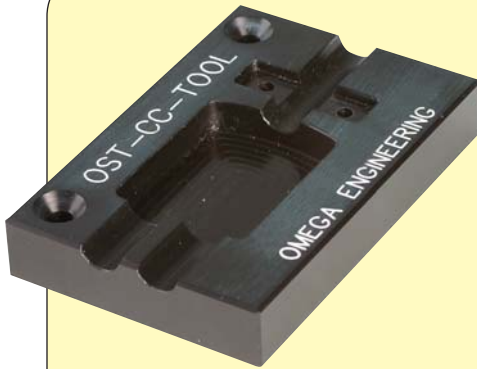


**Pull Test
Highest Rating**



**Side Load
Equal to
Stainless Steel**

Fast Assembly Sequence!



OST-CC-TOOL, £33.50,
shown smaller than
actual size., See page
163 for ordering info.

**1. Place back plate
and OST body**



**2. Terminate
straight wire**



**3. Tighten
captive screws**



MOST POPULAR MODELS HIGHLIGHTED!

To Order (Specify Model Number)

Alloy Code	Compensating Alloy Used in Connector		IEC Colour Code	Glass-Filled Nylon Model Number		Price		
	(+)	(-)		Male**	Uni-Female	Pair (MF)*	(F)	Male (M)**
K	CHROME TM	ALOMEGA TM	Green	OSTW-CC-KI-M	OSTW-CC-KI-F	£4.70	£2.70	£2.00
T	Copper	Constantan	Brown	OSTW-CC-TI-M	OSTW-CC-TI-F	4.70	2.70	2.00
J	Iron	Constantan	Black	OSTW-CC-J-M	OSTW-CC-J-F	4.70	2.70	2.00
E	CHROME TM	Constantan	Purple	OSTW-CC-E-M	OSTW-CC-E-F	4.70	2.70	2.00
R,S	Copper	RNX/SNX	Orange	OSTW-CC-R/SI-M	OSTW-CC-R/SI-F	4.70	2.70	2.00
C	CPX	CHX	Red	OSTW-CC-C-M	OSTW-CC-C-F	4.70	2.70	2.00
U	Copper	Copper	White	OSTW-CC-U-M	OSTW-CC-U-F	4.70	2.70	2.00
N	OMEGA-P TM	OMEGA-N TM	Pink	OSTW-CC-NI-M	OSTW-CC-NI-F	4.70	2.70	2.00

To order a pair: Replace suffix "M" with "MF" for a connector pair.

To order Solid Pin Male Connectors: Add suffix "-S" to the model number and add £1.35 to price.

Ordering Example: OSTW-CC-KI-M has clamp cap, type K, hollow pin male £2.



UNITED STATES

www.omega.com

1-800-TC-OMEGA

Stamford, CT.

CANADA

www.omega.ca

Laval(Quebec)

1-800-TC-OMEGA

GERMANY

www.omega.de

Deckenpfronn, Germany

0800-8266342

UNITED KINGDOM

www.omega.co.uk

Manchester, England

0800-488-488

FRANCE

www.omega.fr

088-466-342

CZECH REPUBLIC

www.omegaeng.cz

Karviná, Czech Republic

596-311-899

BENELUX

www.omega.nl

0800-099-33-44



More than 100,000 Products Available!

• Temperature

Calibrators, Connectors, General Test and Measurement Instruments, Handheld Instruments for Temperature Measurement, Ice Point References, Indicating Labels, Crayons, Cements and Lacquers, Infrared Temperature Measurement Instruments, Recorders, Relative Humidity Measurement Instruments, PT100 Probes, PT100 Elements, Temperature & Process Meters, Timers and Counters, Temperature and Process Controllers and Power Switching Devices, Thermistor Elements, Probes and Assemblies, Thermocouples, Thermowells and Head and Well Assemblies, Transmitters, Thermocouple Wire, RTD Probes

• Flow and Level

Air Velocity Indicators, Doppler Flowmeters, Level Measurement, Magnetic Flowmeters, Mass Flowmeters, Pitot Tubes, Pumps, Rotameters, Turbine and Paddle Wheel Flowmeters, Ultrasonic Flowmeters, Valves, Variable Area Flowmeters, Vortex Shedding Flowmeters

• pH and Conductivity

Conductivity Instrumentation, Dissolved Oxygen Instrumentation, Environmental Instrumentation, pH Electrodes and Instruments, Water and Soil Analysis Instrumentation

• Data Acquisition

Auto-Dialers and Alarm Monitoring Systems, Communication Products and Converters, Data Acquisition and Analysis Software, Data Loggers Plug-in Cards, Signal Conditioners, USB, RS232, RS485 and Parallel Port Data Acquisition Systems, Wireless Transmitters and Receivers

• Pressure, Strain and Force

Displacement Transducers, Dynamic Measurement Force Sensors, Instrumentation for Pressure and Strain Measurements, Load Cells, Pressure Gauges, Pressure Reference Section, Pressure Switches, Pressure Transducers, Proximity Transducers, Regulators, Pressure Transmitters, Strain Gauges, Torque Transducers, Valves

• Heaters

Band Heaters, Cartridge Heaters, Circulation Heaters, Comfort Heaters, Controllers, Meters and Switching Devices, Flexible Heaters, General Test and Measurement Instruments, Heater Hook-up Wire, Heating Cable Systems, Immersion Heaters, Process Air and Duct, Heaters, Radiant Heaters, Strip Heaters, Tubular Heaters