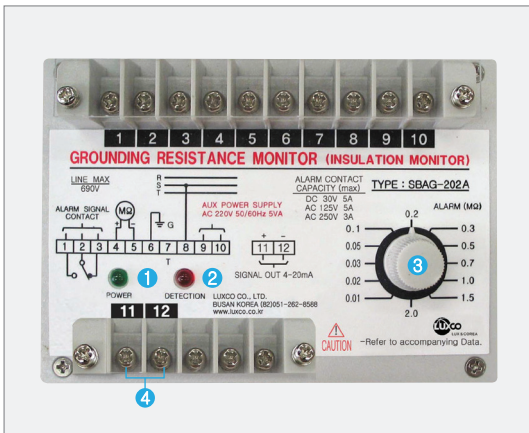


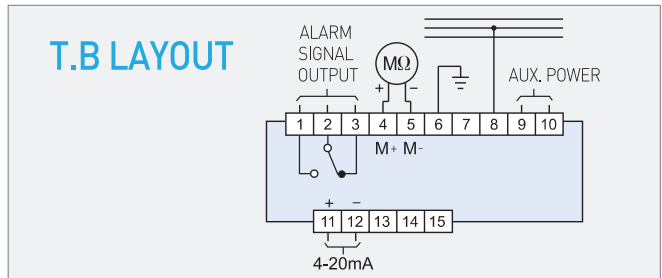
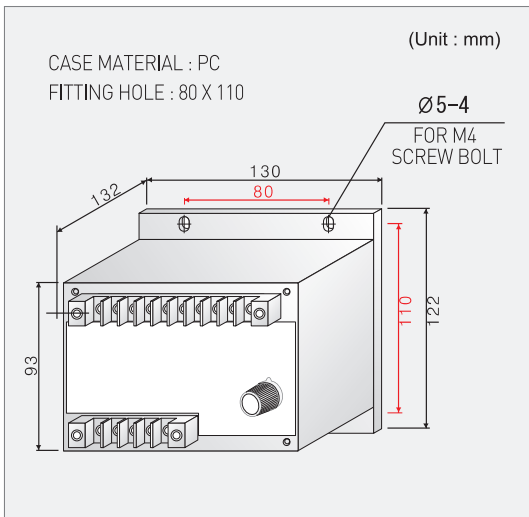


### FRONT VIEW



- ① Power indicating lamp (Green)
- ② Alarm indicating lamp (Red)
- ③ Alarm setting (MΩ)
- ④ 4-20mA power output terminal

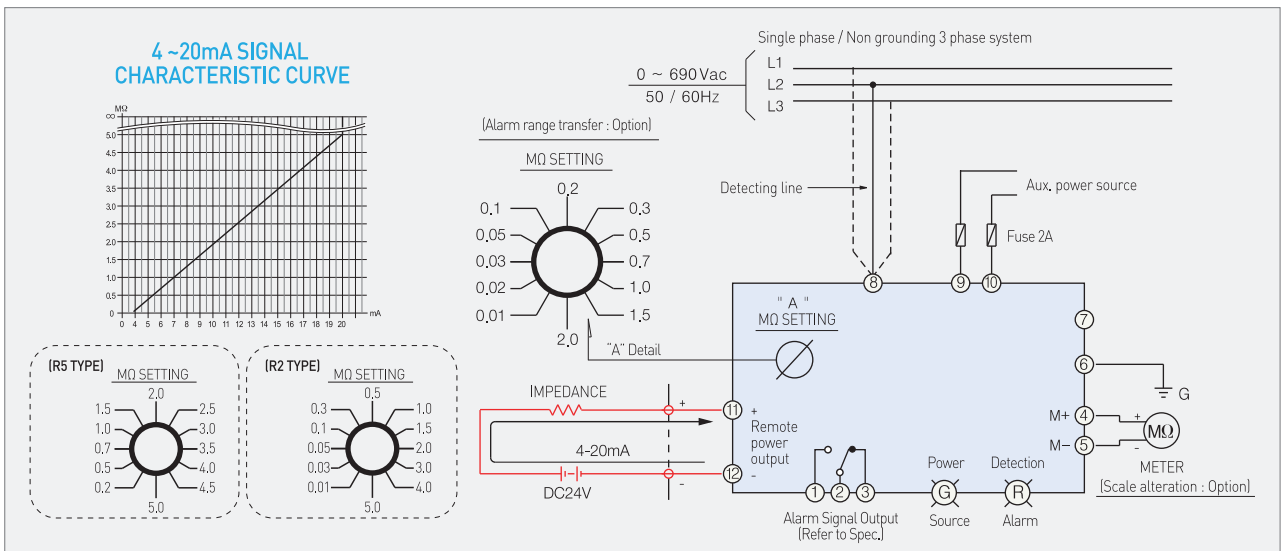
### DIMENSION



### SPECIFICATIONS (LOW INSULATION SPEC')

MODEL	SBAG-102A	SBAG-202A	SBAG-402A
AUX. POWER RATING	AC 110V 50/60Hz	AC 220V 50/60Hz	AC 440V 50/60Hz
RANGE OF POWER VARIATION	AC 85-135V	AC 170-270V	AC 395-485V
MAX. POWER CONSUMPTION	5VA		
INSULATION MONITORING RANGE	∞ ~5 ~0.2 ~0.05 ~0MΩ (R2 : ∞ ~50 ~0MΩ) (R5 : ∞ ~10 ~5 ~1 ~0.5 ~0MΩ)		
INSULATION VOLTAGE RANGE	AC 1P / 3 Phase 0 ~ 690V (max.)		
DETECTOR ACCURACY	±5% (0.1 ~ 2MΩ) ±10% (under 0.05MΩ, 2MΩ above)		
ALARM SETTING RANGE	0.01 ~ 2.0MΩ (select by 12 steps selector switch) (R2 : 0.01 ~ 5.0MΩ) (R5 : 0.2 ~ 5.0MΩ)		
ALARM DELAY TIME	3.0sec. (±0.5sec.) Reset time : 0.5sec. or less		
ALARM SIGNAL OUTPUT	5A (resistive) 2A (inductive) 30V DC 5A (resistive) 2A (inductive p.f.=0.4) 125V AC 3A (resistive) 1A (inductive p.f.=0.4) 250V AC		
AMBIENT TEMP.	-20°C ~ +65°C		
STORAGE TEMP.	-40°C ~ +65°C		
DIELECTRIC STRENGTH	Between terminal to cabinet 2.5KV / 1min Between 9, 10 to 6, 8 terminal 1.5KV / 1min		
REMOTE SIGNAL (MICOM CONTROL)	4 ~ 20mA current loop 0 ~ 5MΩ to 4 ~ 20mA		
METER	Refer to page 45		

### CONNECTION DIAGRAM



#### 4 ~ 20mA SIGNAL CHARACTERISTIC CURVE

