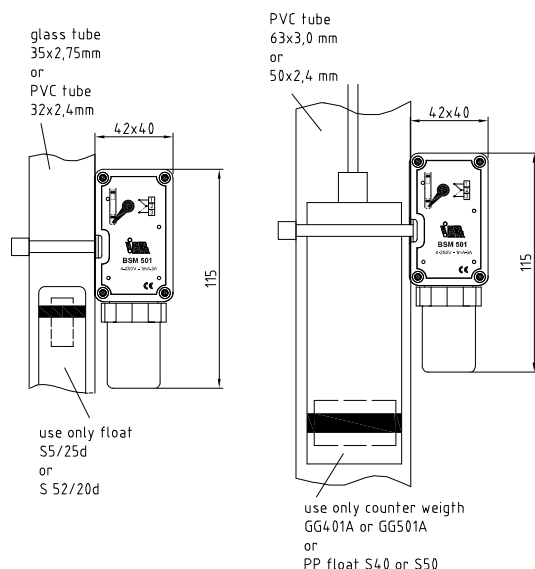


Bistable Switch BSM501



Safety Precautions

- **Assembly, commissioning and servicing may only be performed by specialist personnel!** Applicable European and national regulations for erection of electric systems must be complied with.
- **Connect the device only to voltage indicated in the technical data and on the nameplate.**
- **In case of assembly or maintenance work, the device must be disconnected from all currents!**
- **Operate the device only under the conditions defined in the operating instructions!**



Attention!

- **Do only use IER-floats or -counterweights**
- **Do not open up the casing, do not unscrew the black sleeve nut!**
- **Set magnet rocker with a magnet to correct position before placing into service (see drawing on the plate).**
- **The cable plug must always point down.**
- **Always install float or counterweight with „TOP“ sign upside**
- **Welded stainless steel tubing is magnetic. Use only drawn, seamless tubing in order to prevent loss of magnetic strength.**
- **Do not mount or store the switch near strong magnetic fields or ferromagnetic parts such as steel bars, frames or parts of steel tanks.**

Technical data

Switching principle:

magnetic actuated micro switch with change over contact

Rated voltage:

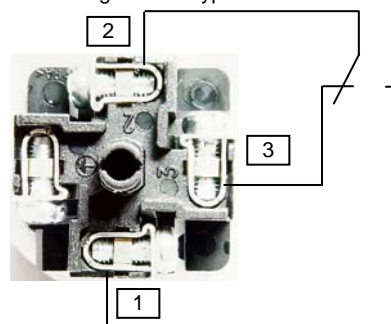
4V ... 250V AC, 4V ... 30V DC

Rated current:

1 mA ... 3 A (AC u. DC)

Please note!

The bistable switch has been designed for use in applications with 1 mA to 3 A at 4 to 250 V. However, the switch may only be used with a single circuit type for the entire duration of its service life!



Connection: Contact position while float is in lower position

Contact position: (terminal 2 = root)

Below Lower Limit: 2 - 3 closed / 2 - 1 open

Above Upper Limit: 2 - 1 closed / 2 - 3 open

Electrical connection:

3-pole cable plug acc. DIN EN 175301 (often used for solenoid valves), with PE terminal

Max. cable cross section: 1,5 mm²

min. distance between two switching points: 40 mm, (turn contacts at tube at least 120°)

Max. liquid temperature:

+ 115° C

Ambient temperature:

-20 ... + 90° C

Housing:

IP 65 acc. EN60 529

CE- labels:

In accordance with low-voltage directive (2006/95/EC) and EMC directive (2004/108/EC)

Use in potentially explosive atmospheres:

In accordance with EN 50 020, section 5.4, the BSM 501 bistable switch is a simple apparatus without its own source of ignition. As such it is not included in the range of applications specified in directive 94/9/EC (ATEX).

Simple apparatus can be set up in category 1 (zone 1), and category 3 (zone 2) potentially explosive atmospheres.

Power supply must be intrinsically safe, i.e. the bistable switch must be connected via a Zener barrier or an approved buffer amplifier.

Certification or identification of simple apparatus is not required by the EC directive.