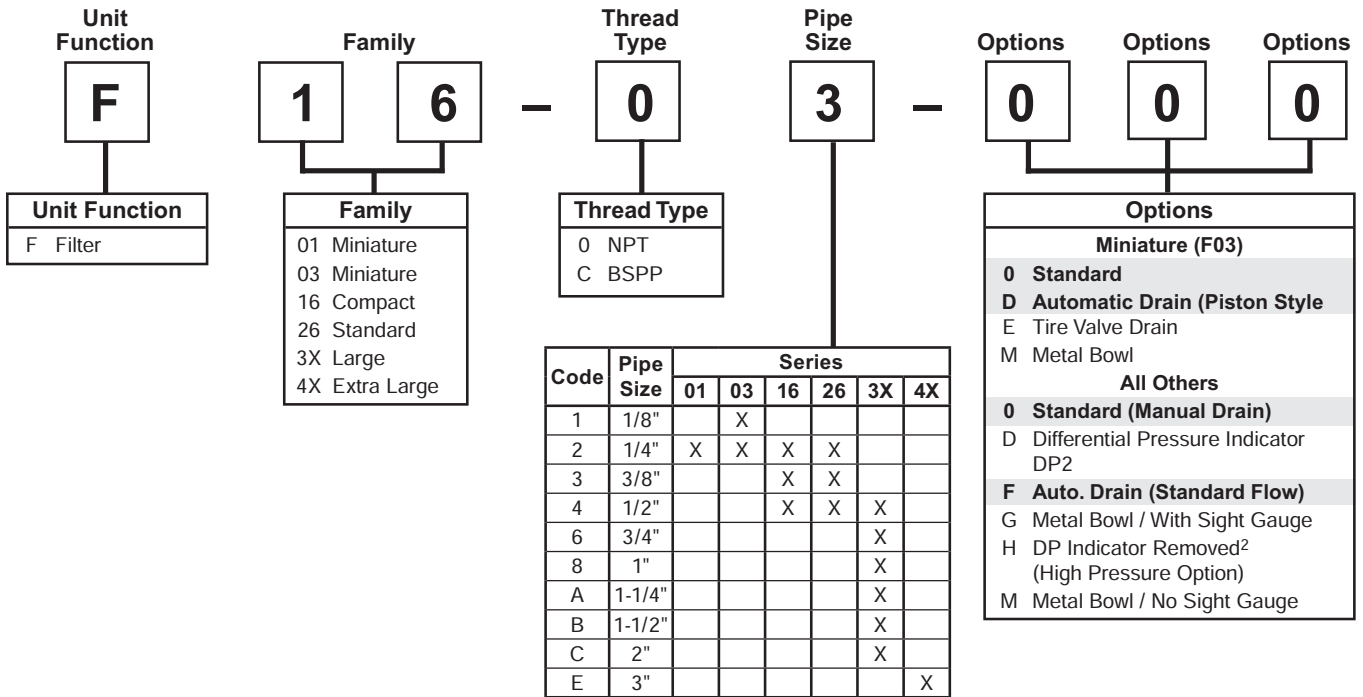


Particulate Filter Numbering System = "Most Popular"



¹ Ports on some units are BSPP-G, others are BSPT-Rc. Consult specific model page for specifications.

² Models F35, F36, F37 & F43.

"F" Series Filters, Type "A" 5 micron elements: All Wilkerson Type "A" micron elements **meet or exceed ISO Class 3** for maximum particle size and concentration of solid contaminants.

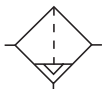
NOTE: All classes above refer to International Standards Organization (ISO) standard 8573-1, pertaining to maximum particle size and concentration of solid contaminants, and maximum oil content.

If more than one option is desired, arrange them in alphabetical order in positions 6, 7, and 8.

NOTE: 000 in position 6, 7, and 8 signifies standard product.

Particulate Filter

F35



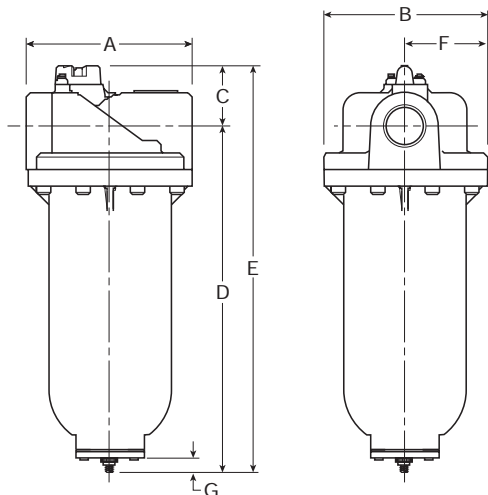
Auto Drain



F35-0B-000

Features

- Heavy-duty Cast Aluminum Housings to Withstand Operating Pressures Up to 300 PSIG*
- Differential Pressure Indicator to Eliminate the Guesswork of Element Replacement
- Unique Drain Mounting Plate Design Offers a Trouble-free Method for Interchanging and Installing External Drains



NOTE: Automatic internal float drain shown is included on F35 filters with F00 suffix only. Models with 000 suffix include drain plate with tapped 1/2 NPT / BSPP-G drain port.

Dimensions

Models	Inches (mm)	A	B	C	D	E	F	G
Standard Unit F35-XX-000		7.80 (198)	7.76 (197)	2.83 (72)	16.24 (412.5)	19.07 (484)	3.88 (98.6)	.55 (14)
Automatic Drain F35-XX-F00		7.80 (198)	7.76 (197)	2.83 (72)	15.69 (398.5)	18.52 (470)	3.88 (98.6)	.55 (14)

= "Most Popular"

Specifications

Flow Capacity*	1-1/4	970 SCFM (458 dm ³ /s)
	1-1/2	1280 SCFM (604 dm ³ /s)
	2	1400 SCFM (660 dm ³ /s)
Maximum Supply Pressure	without DP2	300 PSIG (20.7 bar)**
	with DP2	150 PSIG (10.3 bar)
Operating Temperature	32° to 150°F (0° to 65.5°C)	
Port Size	NPT / BSPP-G	1-1/4, 1-1/2, 2
Standard Filtration	5 Micron	
Weight	19.3 lb. (8.7 kg)	

* Inlet pressure 150 PSIG (10.3 bar). Pressure drop of 5 PSID (0.3 bar).

** Without pressure indicator – Max. supply pressure is 300 PSIG (20.7 bar).

"F" Series Filters, Type "A" 5 micron elements: All Wilkerson Type "A" 5 micron elements **meet or exceed ISO** Class 3 for maximum particle size and concentration of solid contaminants.

Materials of Construction

Baffle	Plated Steel
Body	Aluminum
Bowls	Aluminum
Deflector	Plated Steel
Element Retainer	Plated Steel
Filter Element	Polyethylene
Seals	Fluorocarbon
Stud	Plated Steel

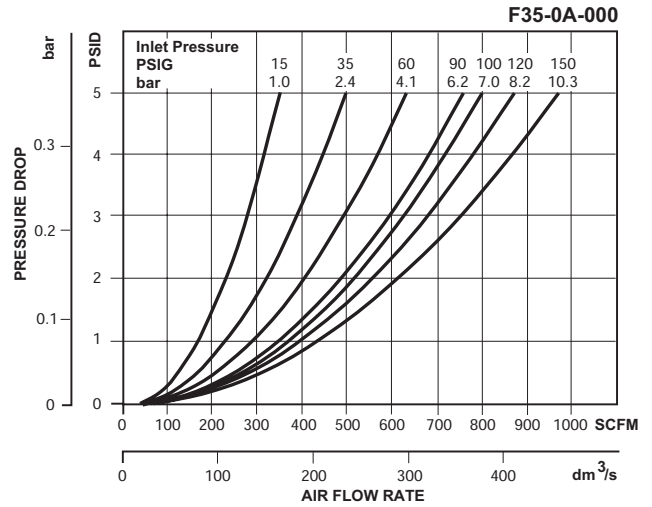
= "Most Popular"

Replacement Element Kit

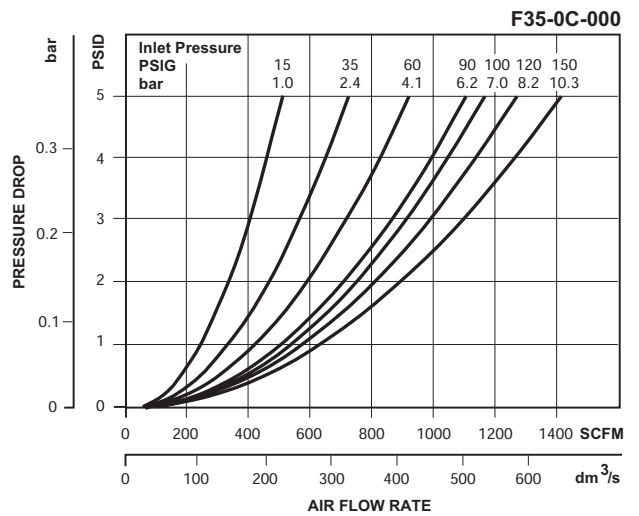
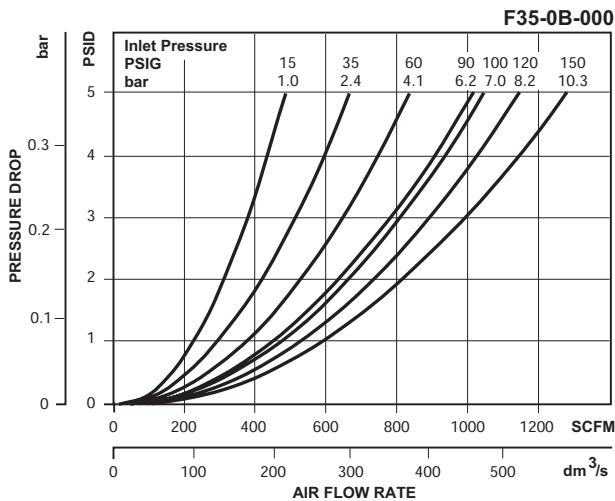
Element, F35, 5 Micron, Fluorocarbon O-rings.....FRP-95-505

Accessories

- Cap, Differential Pressure Indicator –
For pressures over 150 PSIG..... GRP-95-022
- Drain, Automatic, Internal, Fluorocarbon,
1/8 NPT GRP-95-981
- Drain Plate Kit (.56 Dia.) –
For use with internal auto float drain..... GRP-95-391
- Drain Plate Kit –
1/4 NPT tapped drain port..... GRP-95-392
1/2 NPT tapped drain port GRP-95-393
- Gauge, Differential Pressure DP3-01-000
- Indicator, Differential Pressure DP2-01-001
- Manual Override for Auto Float Drain –
GRP-95-981 required..... GRP-96-000



B



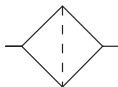
Ordering Information

Model Type	Port Size	Metal Bowl	
Manual Drain	1-1/4	F35-0A-000	(Includes 1/2 NPT / BSPP-G Drain Plate)
	1-1/2	F35-0B-000	
	2	F35-0C-000	
Automatic Drain	1-1/4	F35-0A-F00	
	1-1/2	F35-0B-F00	
	2	F35-0C-F00	

Options - To order an option supplied with the unit model, add the appropriate coded suffix letter in the designated position of the model number.

Particulate Filter

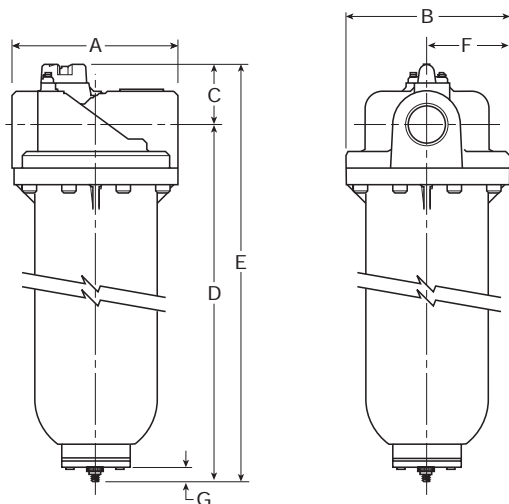
F36



F36-0C-000

Features

- Heavy-duty Cast Aluminum Housings to Withstand Operating Pressures Up to 300 PSIG*
- Differential Pressure Indicator to Eliminate the Guesswork of Element Replacement
- Unique Drain Mounting Plate Design Offers a Trouble-free Method for Interchanging and Installing External Drains
- 5 Micron High Flow Particulate Element



Specifications

Flow Capacity*	2	1400 SCFM (660 dm ³ /s)
Maximum Supply Pressure	without DP2	300 PSIG (20.7 bar)**
	with DP2	150 PSIG (10.3 bar)
Operating Temperature	32° to 150°F (0° to 65,5°C)	
Port Size	NPT / BSPP-G	2
Standard Filtration	5 Micron	
Weight	22.3 lb. (10 kg)	

* Inlet pressure 150 PSIG (10.3 bar). Pressure drop of 5 PSID (0.3 bar).
 ** Without pressure indicator – Max. supply pressure is 300 PSIG (20.7 bar).

“F” Series Filters, Type “A” 5 micron elements: All Wilkerson Type “A” 5 micron elements **meet or exceed ISO Class 3** for maximum particle size and concentration of solid contaminants.

Materials of Construction

Baffle	Plated Steel
Body	Aluminum
Bowls	Aluminum
Deflector	Plated Steel
Filter Element	Polyethylene
Seals	Fluorocarbon
Stud	Plated Steel

NOTE: Standard filter includes tapped 1/2 NPT / BSPP-G drain plate. To order internal float drain shown, order drain adapter plate GRP-95-391 and automatic drain GRP-95-981.

Dimensions

Models	Inches (mm)	A	B	C	D	E	F	G
Standard Unit F36-0C-000		7.80 (198)	7.76 (197)	2.83 (72)	19.51 (495.6)	22.34 (567)	3.87 (98.5)	.55 (14)

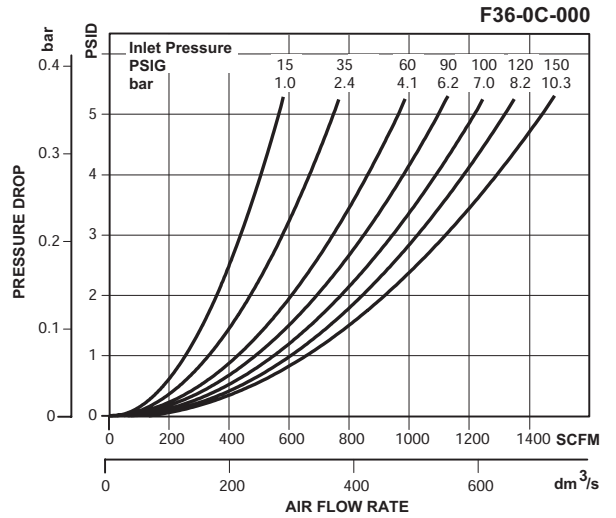
Replacement Element Kit

Element, F36, 5 Micron, Fluorocarbon O-rings.....FRP-95-506

Accessories

- Cap, Differential Pressure Indicator –
For pressures over 150 PSIG..... GRP-95-022
- Drain, Automatic, Internal, Fluorocarbon,
1/8 NPT GRP-95-981
- Drain Plate Kit (.56 Dia.) –
For use with internal auto float drain..... GRP-95-391
- Drain Plate Kit –
1/4 NPT tapped drain port..... GRP-95-392
1/2 NPT tapped drain port GRP-95-393
- Gauge, Differential Pressure DP3-01-000
- Indicator, Differential Pressure DP2-01-001
- Manual Override for Auto Float Drain –
GRP-95-981 required..... GRP-96-000

F36-0C-000 = "Most Popular"



Ordering Information

Model Type	Port Size	Metal Bowl
F36	2	F36-0C-000 (Includes 1/2 NPT / BSPP-G Drain Plate)

Options - To order an option supplied with the unit model, add the appropriate coded suffix letter in the designated position of the model number.