

Product description
Switching
device SG-A

APPLICATION

The switching device SG-A is used as differential pressure switch in dual-line centralized lubrication system. When the differential pressure is 50 bar and/or 100 bar, it releases a pulse for the reversion of the directional control valve or for the monitoring of the system.

PRODUCT CHARACTERISTICS

- Switching pressure difference 50 or 100 bar
- Working pressure 400 bar

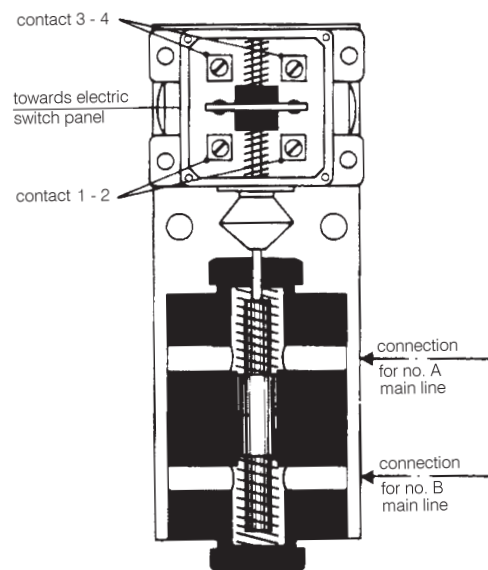


DESIGN

The switching device SG-A with ram, enclosed consists of a housing with a metallic sealing piston, which is held in its mid-position by means of two compression springs. Furthermore, it consists of a limit switch, which is fixed in its position by means of a safety plate, on which these parts are fixed.

FUNCTION

With lubricating cycle 1, lubricant is supplied to main line A. Main line B is relieved. Due to the pressure build-up in main line A, the piston is displaced downwards against the springiness of the lower compression spring. When the differential pressure between the two main lines is approx. 50 bar and/or 100 bar, the contacts 1 and 2 are closed via the piston at the limit switch. Due to this pulse, the 4/2-way valve is reversed via the electric control of the system. The reversion of the 4/2-way valve causes lubricating cycle no. 2 to start, and lubricant is supplied to main line B while main line A is relieved. Due to the pressure build-up in main line B, the piston is displaced upwards against the springiness of the upper compression spring. When the pressure difference between the two main lines is approx. 50 bar and/or 100 bar, the contacts 3 and 4 are closed via the piston at the limit switch, and a new reversion process is initiated.



A. TYPE OF APPLIANCE	Code
-----------------------------	-------------

SGA

B. SWITCHING PRESSURE DIFFERENCE	Code
-----------------------------------------	-------------

50 bar
100 bar

05
10

C. REVISION	Code
--------------------	-------------

Status A

A

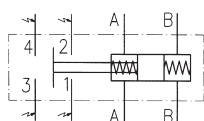
D. ACCESSORIES	Code
-----------------------	-------------

without

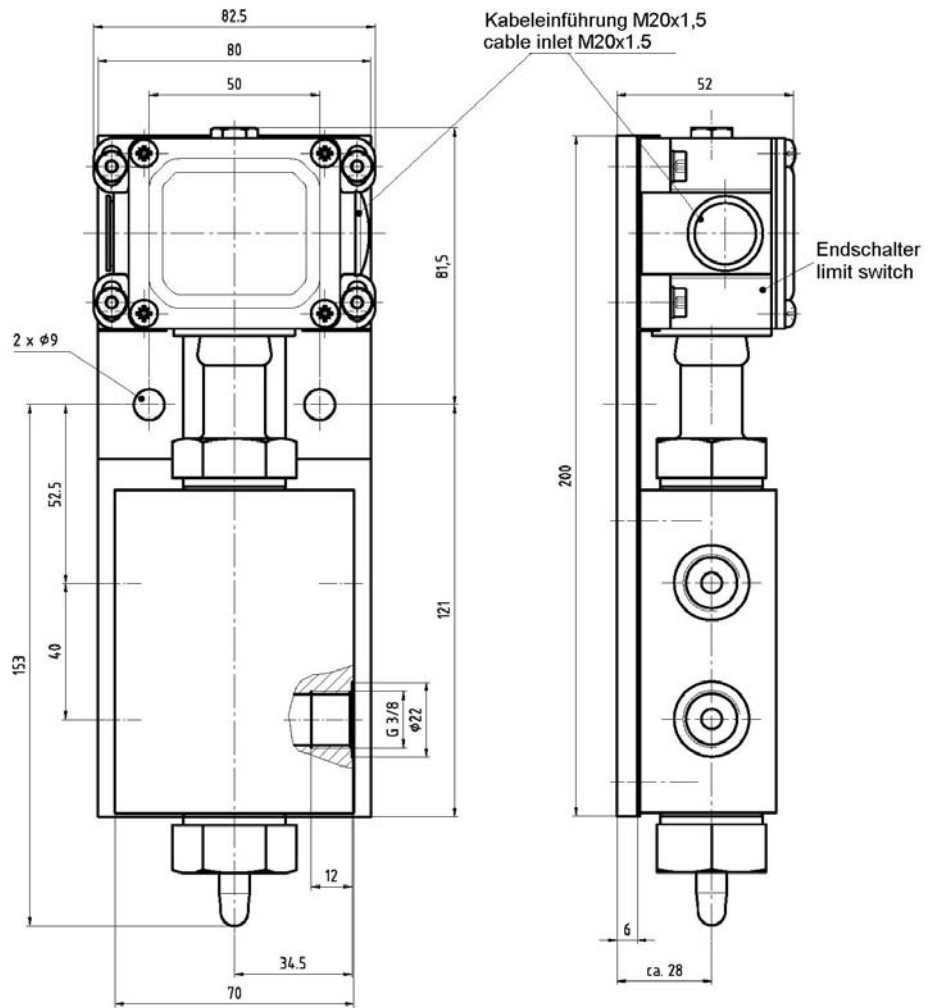
00

SPECIFICATION

Switching pressure difference : _____ 50 or 100 bar
 Working pressure : _____ max. 400 bar
 Output volume : _____ 0.7 cm³
 Rated voltage : _____ max. AC 240 V
 Contact rating : _____ min. 10 mA at DC 24 V
 Contact rating : _____ max. 3 A
 Power rating at 500 V : . _____ max. 7500 VA
 Protection system : _____ IP 65
 Suitable lubricants on mineral oil basis:
 Lubricant greases _____ NLGI class 000 up to 3 DIN 51818 (51825)
 Oils _____ with a viscosity from 190 mm²/s at operating temperature
 Synthetic lubricants _____ on request
 Ambient temperature : _____ between - 20°C and + 80°C
 Installation position : _____ optional
 Weight : _____ 3 kg
 Switching diagram:



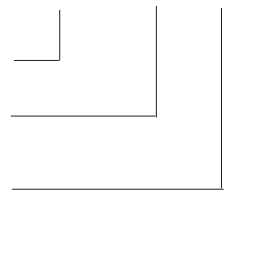
SPECIFICATION (Continuation)



EXAMPLE OF ORDER

Code							
S	G	A	0	5	A	0	0

Type of appliance SG-A	Code: SG A
Switching pressure difference 50 bar	Code: 05
Revision Status A	Code: A
Accessories without	Code: 00



DELIMON

Zentrale

Arminstraße 15
D-40227 Düsseldorf
Telefon: +49 211 7774 0
Telefax: +49 211 7774 210
kontakt@bijurdelimon.com
www.bijurdelimon.com

DELIMON

Niederlassung Beierfeld

Am Bockwald 4
D-08344 Grünhain-Beierfeld

DELIMON

Österreich

Lemböckgasse 49
Haus 2 / Stiege E 4.OG / Top E 4-3
A-1230 Wien
Telefon: +43 1 585 66 17
Telefax: +43 1 585 66 17 50
kontakt@bijurdelimon.com
www.bijurdelimon.com

LUBRIMONSA

Spain

Avda. Txori-Erri 38
48150 Sondica - (Vizcaya)
Teléfono: +34 94 453 20 00
Fax: +34 94 453 25 00
spain@bijurdelimon.com

DENCO Lubrication Ltd.

DELIMON-Cooling

United Kingdom

Ramsden Court, Ramsden Road
Rotherwas Industrial Estate
Hereford, HR2 6LR
Phone: +44 (0) 1432 365 000
Fax: +44 (0) 1432 365 001
info@delimon.co.uk
www.bijurdelimon.com

BIJUR Products, Inc.

France

P.O. Box 50
Z.I. de Courtabœuf
9, Avenue du Québec
91942 Courtabœuf Cedex
Tél.: +33 1 692 985 85
Fax: +33 1 690 776 27
contact@bijurdelimon.com
www.bijurdelimon.com

BIJUR Lubricating Ireland Ltd.

Gort Road
Ennis, County Clare
Tel.: +35 3 65 682 1543
Fax: +35 3 65 682 0327
www.bijurdelimon.com

*Für reibungslose Bewegung
For smooth motion*