

# MVSC/D-180 series

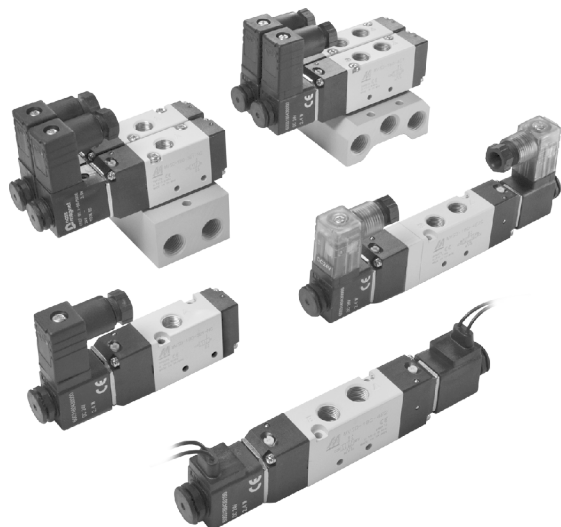
## SOLENOID VALVE



mindman

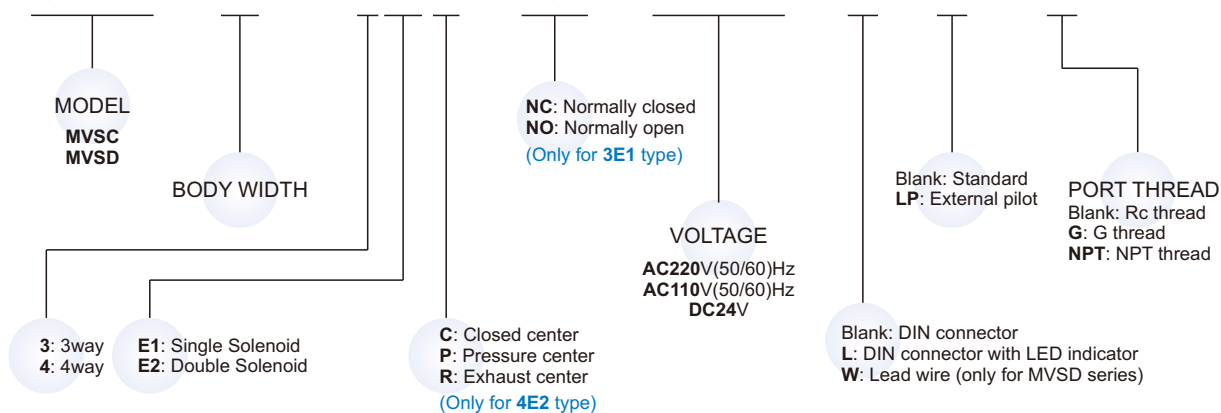
### Specification

Model	3E1	3E2	4E1	4E2	4E2C.P.R
Bore No.	6A				
Port size	Rc1/8				
No. of port	3		5		
No. of position	2			3	
Medium	Air				
Operating pressure range	0.15~0.8 MPa			0.2~0.7 MPa	
Operating pressure (LP)	0~0.8 MPa			0~0.7 MPa	
External pilot pressure (LP)	0.15~0.8 MPa			0.2~0.7 MPa	
Proof pressure	1 MPa				
Effective orifice	15 mm <sup>2</sup>		12 mm <sup>2</sup>	9 mm <sup>2</sup>	
Response time	30 ms				
Ambient temperature	-5~+50°C (No freezing)				
Voltage	AC110V, 220V (50/60)Hz, DC24V				
Power consumption	AC=3.7/ 3.1VA, DC=3W				
Available voltage range	±10%				
Insulation class	F class				
Weight	120 g	172 g	124 g	176 g	190 g



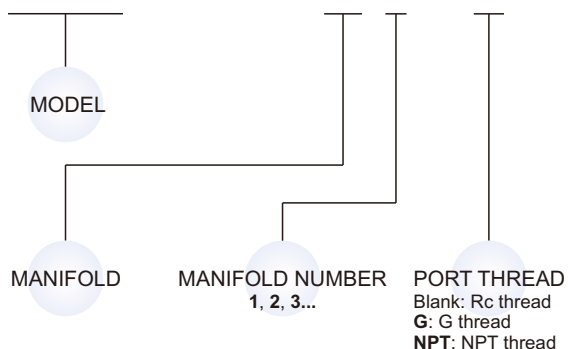
### Order example of valve

**MVSC – 180 – 4E2C – NC – AC110 – L – LP – G**

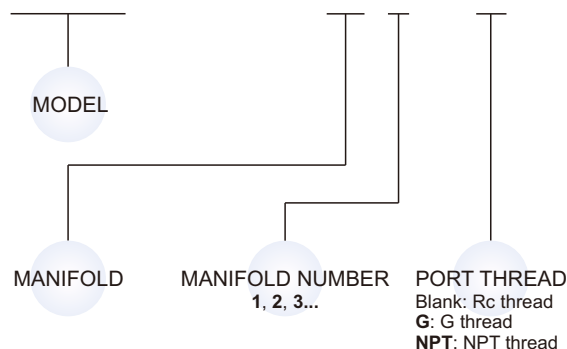


### Order example of manifold

**3 way**  
**MVSC – 180 – 3B3 – G**



**4 way**  
**MVSA – 180 – 5B3 – G**



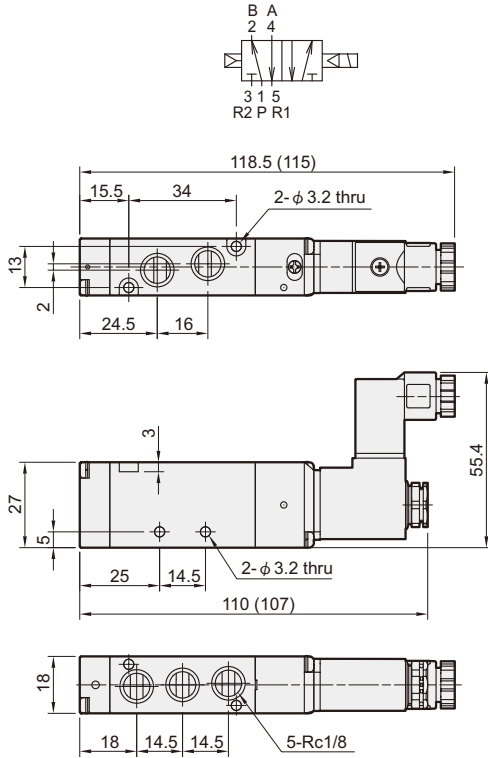
mindman

# MVSC/D-180 Dimensions

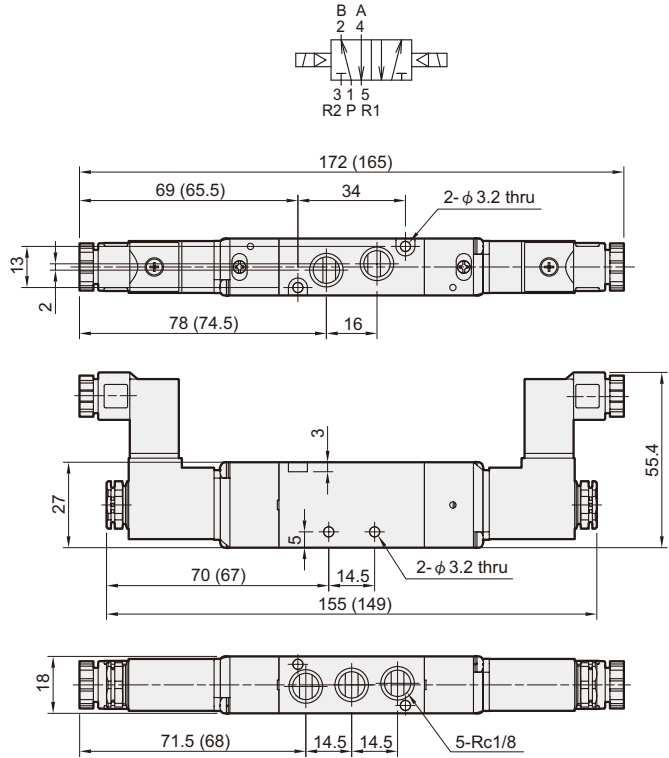
## SOLENOID VALVE



### MVSC/D-180-4E1

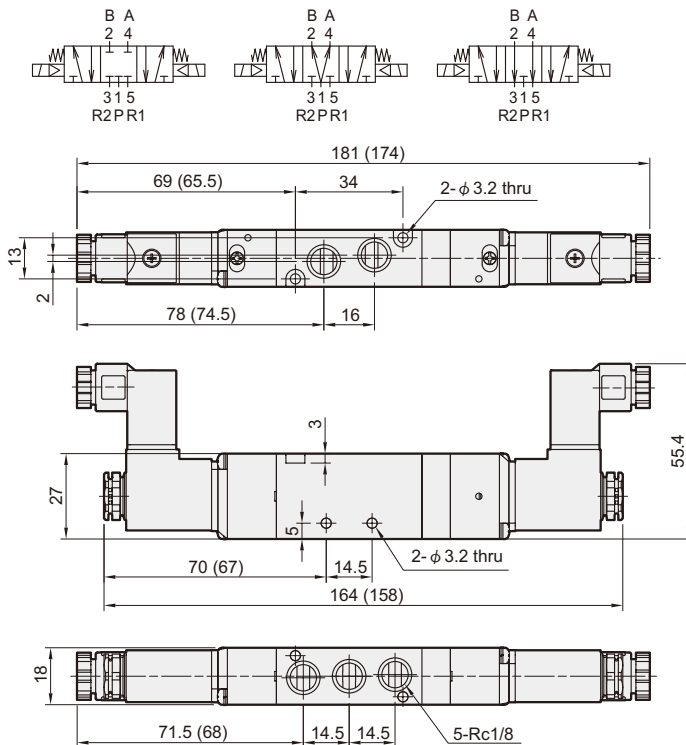


### MVSC/D-180-4E2

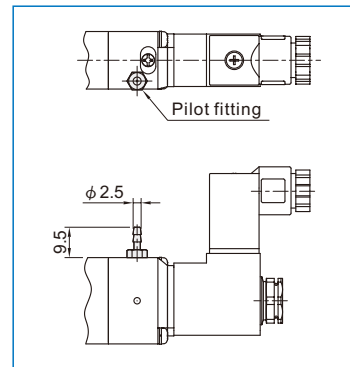


### MVSC/D-180-4E2C.P.R

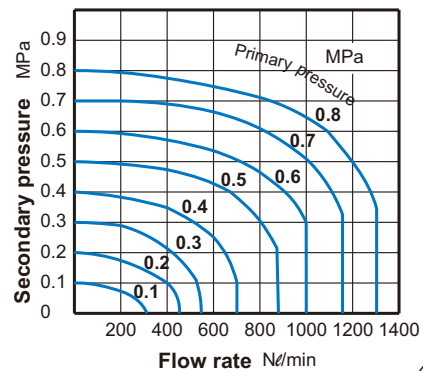
MVSC/D-180-4E2C MVSC/D-180-4E2P MVSC/D-180-4E2R



### LP



### Flow features:



( ): Dimension for MVSD

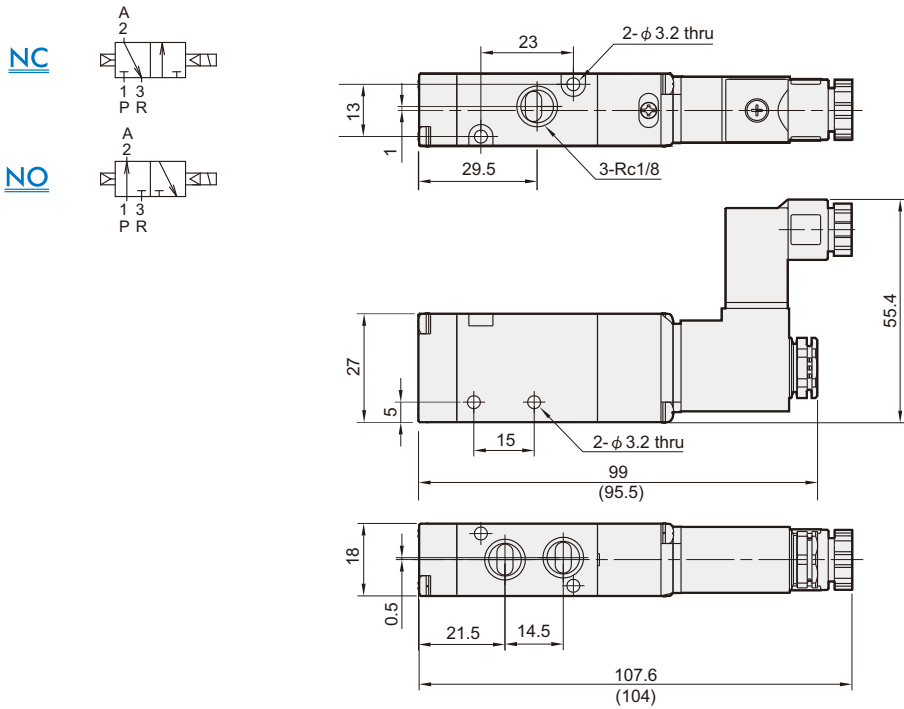


# MVSC/D-180 Dimensions

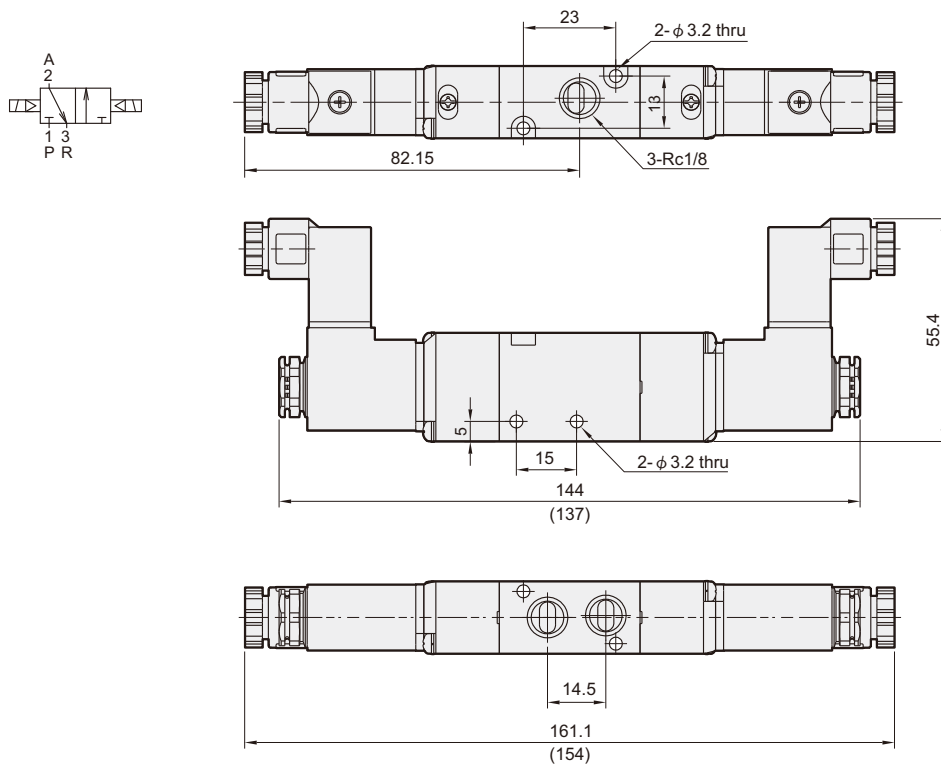
SOLENOID VALVE



## MVSC/D-180-3E1-NC/NO



## MVSC/D-180-3E2



( ): Dimension for MVSD

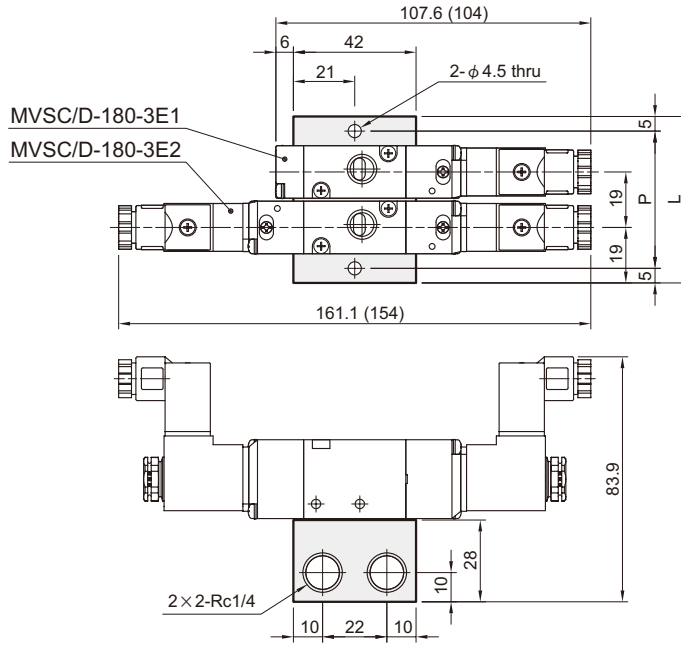


# MVSC/D-180 Manifold

SOLENOID VALVE

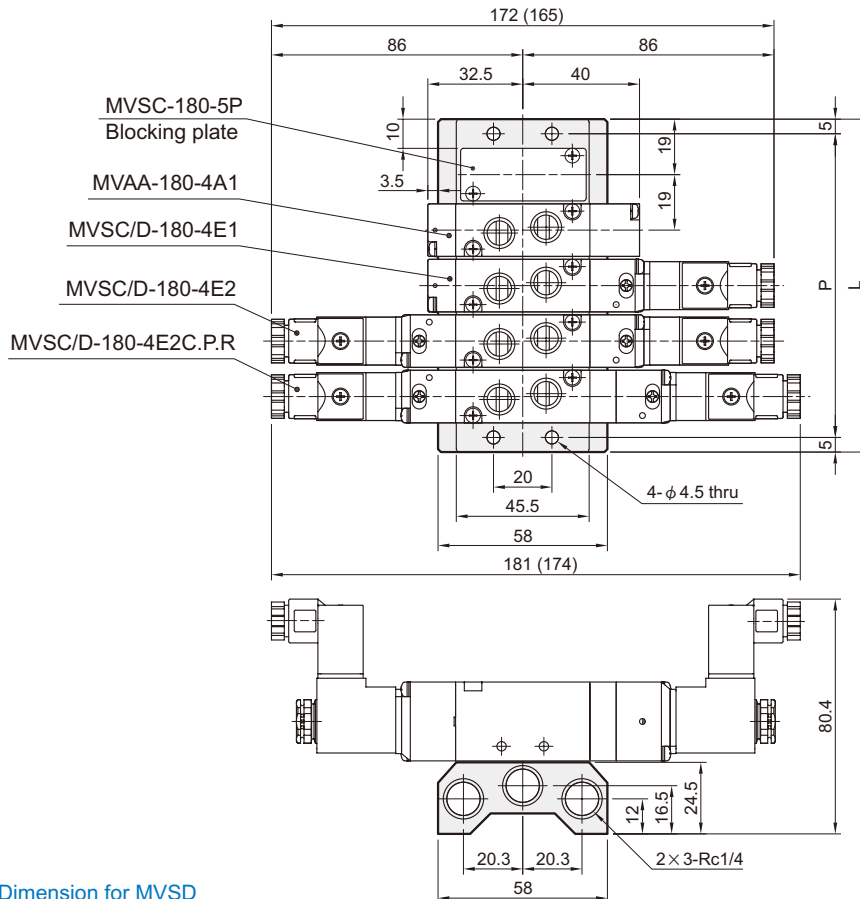


## MVSC/D-180-3B\*



No. of stations	P	L
2	47	57
3	66	76
4	85	95
5	104	114
6	123	133
7	142	152
8	161	171
9	180	190
10	199	209

## MVSC/D-180-5B\*



No. of stations	P	L
2	47	57
3	66	76
4	85	95
5	104	114
6	123	133
7	142	152
8	161	171
9	180	190
10	199	209

( ): Dimension for MVSD

