



COMMENT

MESSRS

### LINE FAULT DETECTOR

- LFD-10P
- LFD-6P
- LFD-3P

1. GENERAL SPECIFICATION
2. OUTSIDE DIMENSION
3. T.B LAYOUT
4. RESISTOR DIMENSION
5. BLOCK DIAGRAM
6. APPLICATION CIRCUIT

9 SHEETS WITH COVER



LUXCO CO., LTD.

980-17, Janggrim-dong, Saha-gu, Busan, 604-040, Korea

TEL : +82-51-262-8588

FAX : +82-51-262-8538

<http://www.luxco.co.kr>

CLASS

APPROVED BY

CHECKED BY

C. G. PARK

DESIGNED BY

J. A. JANG

DATE

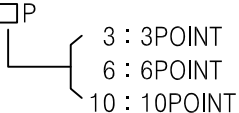
2003. 12. 22

DRAW No.

T209-20

F/N : T209-20001

## GENERAL SPECIFICATIONS

- |                                    |   |
|------------------------------------|---|
| 1. DEVICE NAME                     | : LINE FAULT DETECTOR   |
| 2. MODEL                           | : LFD - □P<br><div style="margin-left: 150px;">  </div>   |
| 3. CONTROL POWER INPUT RATING      | : AC85~264V 1PH 50/60Hz   |
| 4. USE PUSH BUTTON CONTACT         | : "a" CONTACT   |
| 5. ALARM OUTPUT                    | : "1c" DRY CONTACT ( AC250V 3A )  |
| 6. TRIP CIRCUIT OUTPUT ( INSTANT ) | : "1a" DRY CONTACT ( AC250V 3A )  |
| 7. FAULT ALARM DELAY TIME          | : 2Sec (±0.5Sec)  |
| 8. EXTERNAL CONNECTION             | : T.B   |
| 9. CABLE LENGTH                    | : LFD unit to EM,CY $\overline{PB}$ BOX<br>( 5KM WITH above 1.25SQ )  |
| 10. DIELECTRIC STRENGTH            |   |
|                                    | <ul style="list-style-type: none"> <li>- 1.5KV between input/output circuit and enclosure for 1 min.</li> <li>- Above 200Mohm between all circuit and enclosure by 1000v megger tester</li> </ul> |
| 11. OPERATING TEMPERATURE RANGE    | : -20°C ~ +60°C   |

Title

GENERAL SPECIFICATIONS



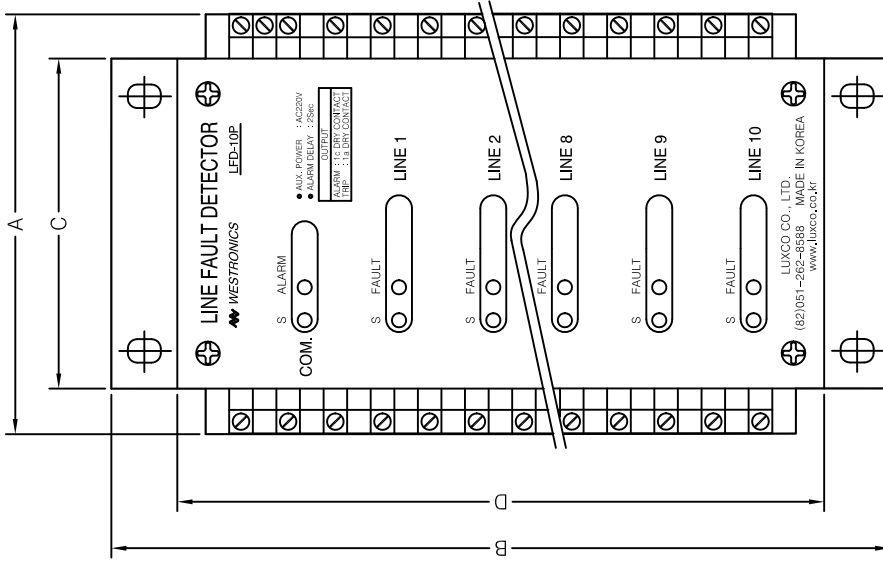
LUXCO CO., LTD.

DWG. No.  
T209-20

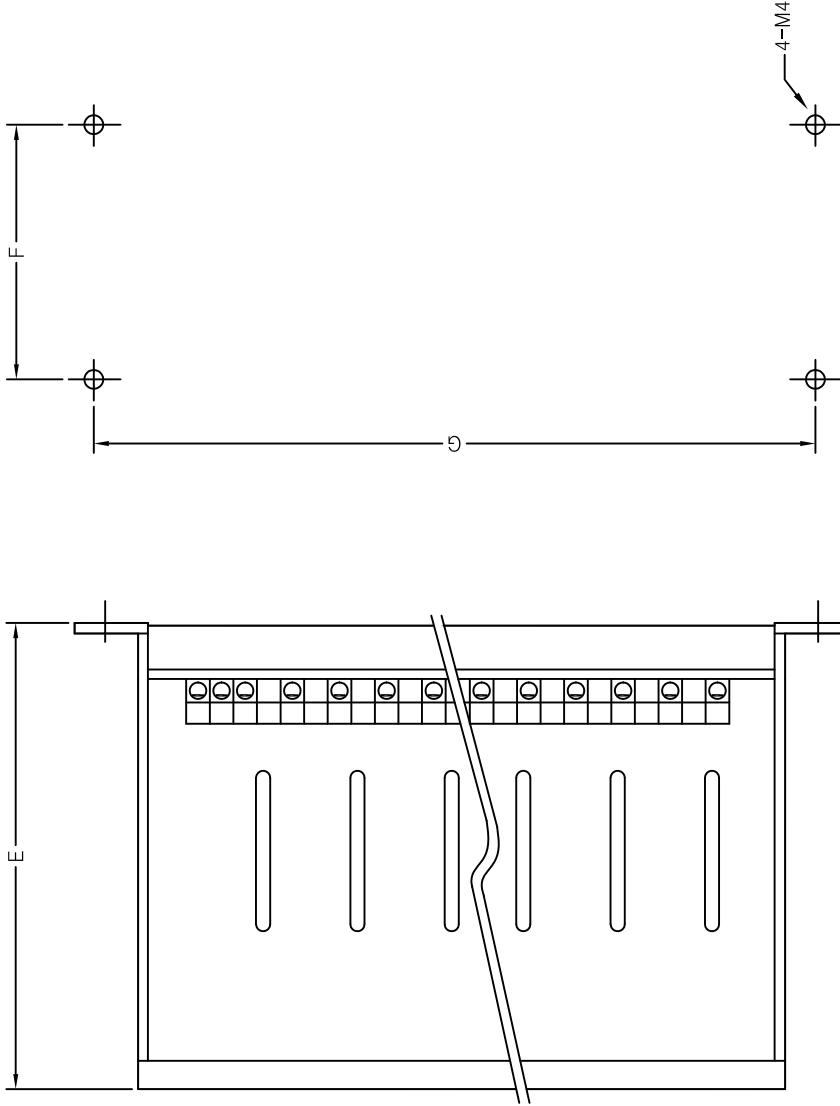
Edition

Sheet  
1 / 8

TOP VIEW



SIDE VIEW



MOUNTING

MODEL	DIMENSION (m/m)						
	A	B	C	D	E	F	G
LFD-3P	94	130	70	102	98.5	54	116
LFD-6P	94	190	70	162	98.5	54	176
LFD-10P	94	270	70	242	98.5	54	256

Title

OUTLINE DIMENSION FOR LINE FAULT DETECTOR



LUXCO CO., LTD.

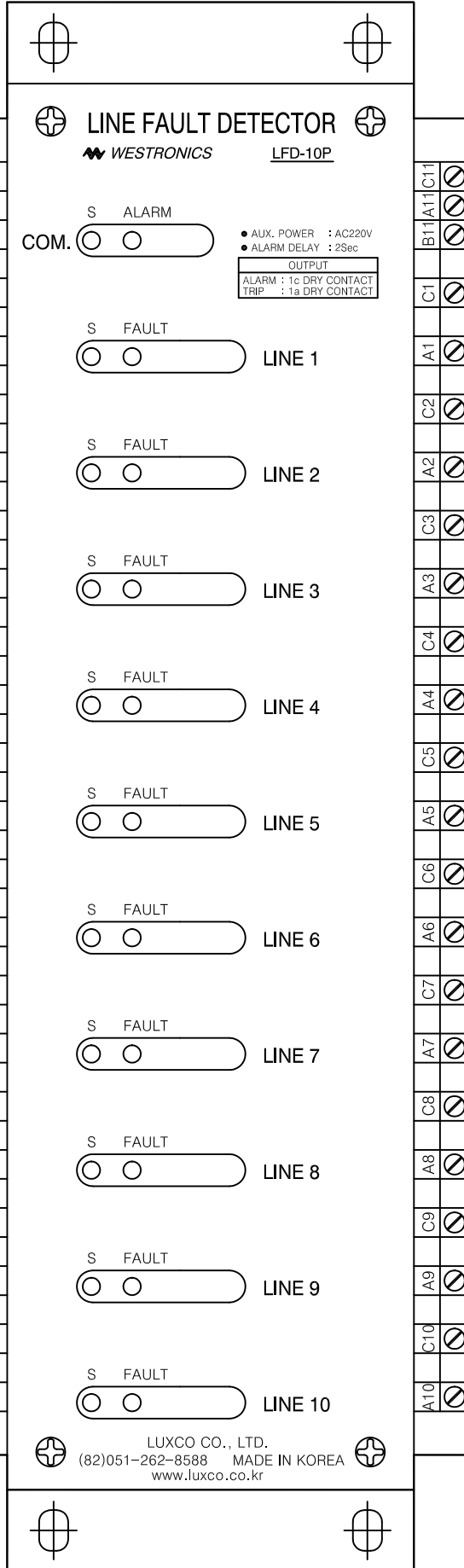
DWG. No. T209-20

Edition

Sheet 2 / 8

INPUT SIDE

OUTPUT SIDE



Title

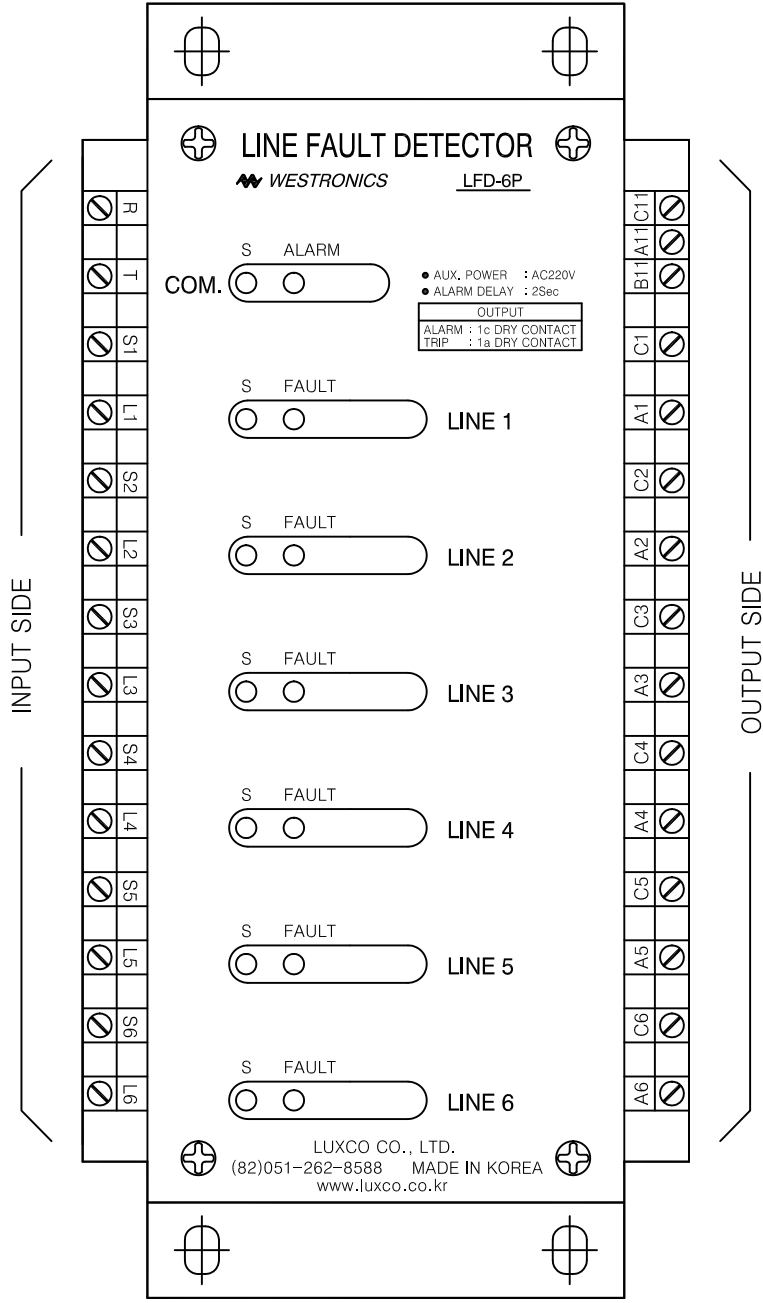
T.B LAYOUT FOR LINE FAULT DETECTOR (LFD-10P)

LUXCO LUXCO CO., LTD.

DWG. No. T209-20

Edition

Sheet 3 / 8



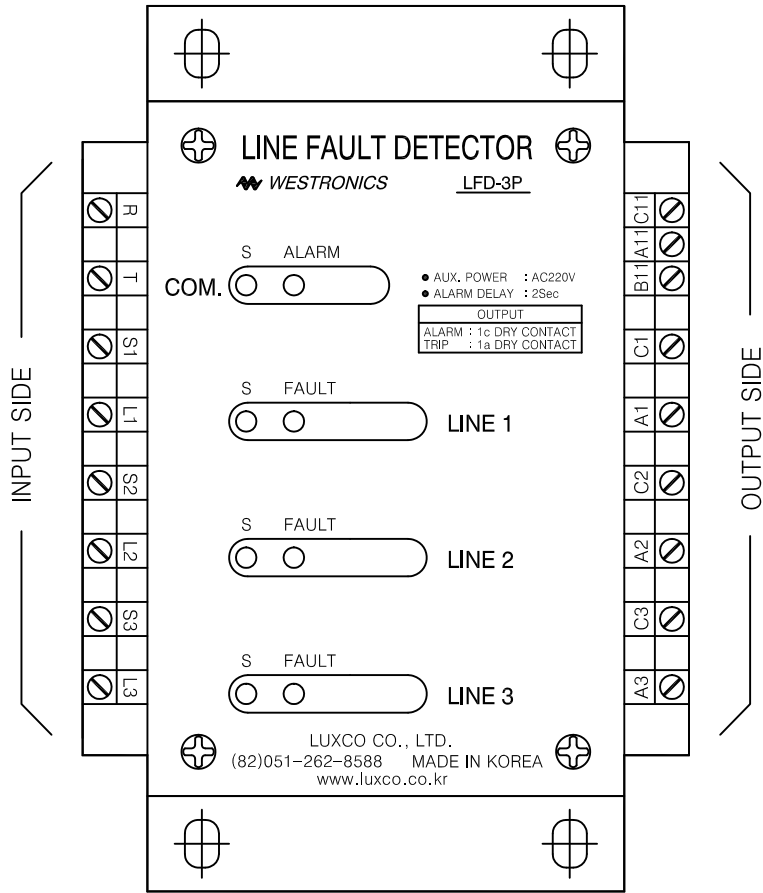
Title

T.B LAYOUT FOR LINE FAULT DETECTOR (LFD-6P)

DWG. No. T209-20  
Edition

Sheet 4 / 8

LUXCO CO., LTD.




Title

T.B LAYOUT FOR LINE FAULT DETECTOR (LFD-3P)

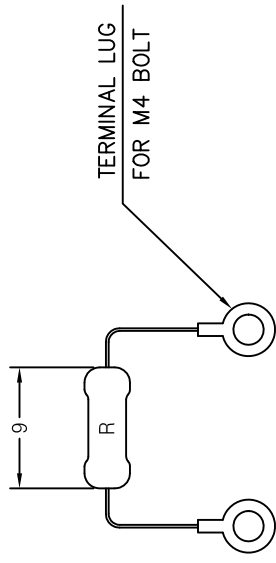
DWG. No.  
T209-20

Edition

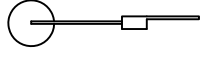
Sheet  
5 / 8

 LUXCO CO., LTD.

TOP VIEW



SIDE VIEW



Title

RESISTOR OUTLINE

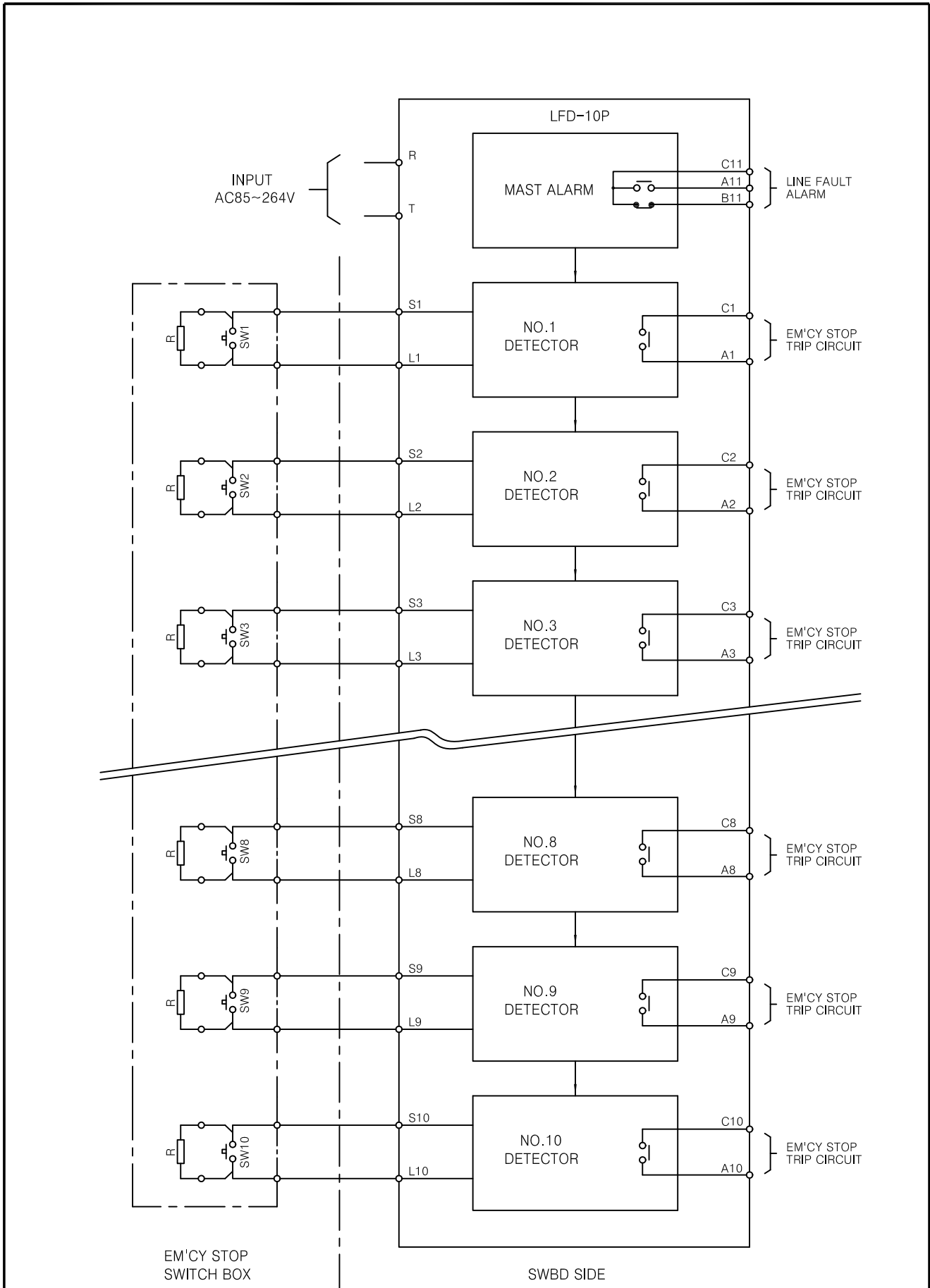



LUXCO CO., LTD.

DWG. No.  
T209-20

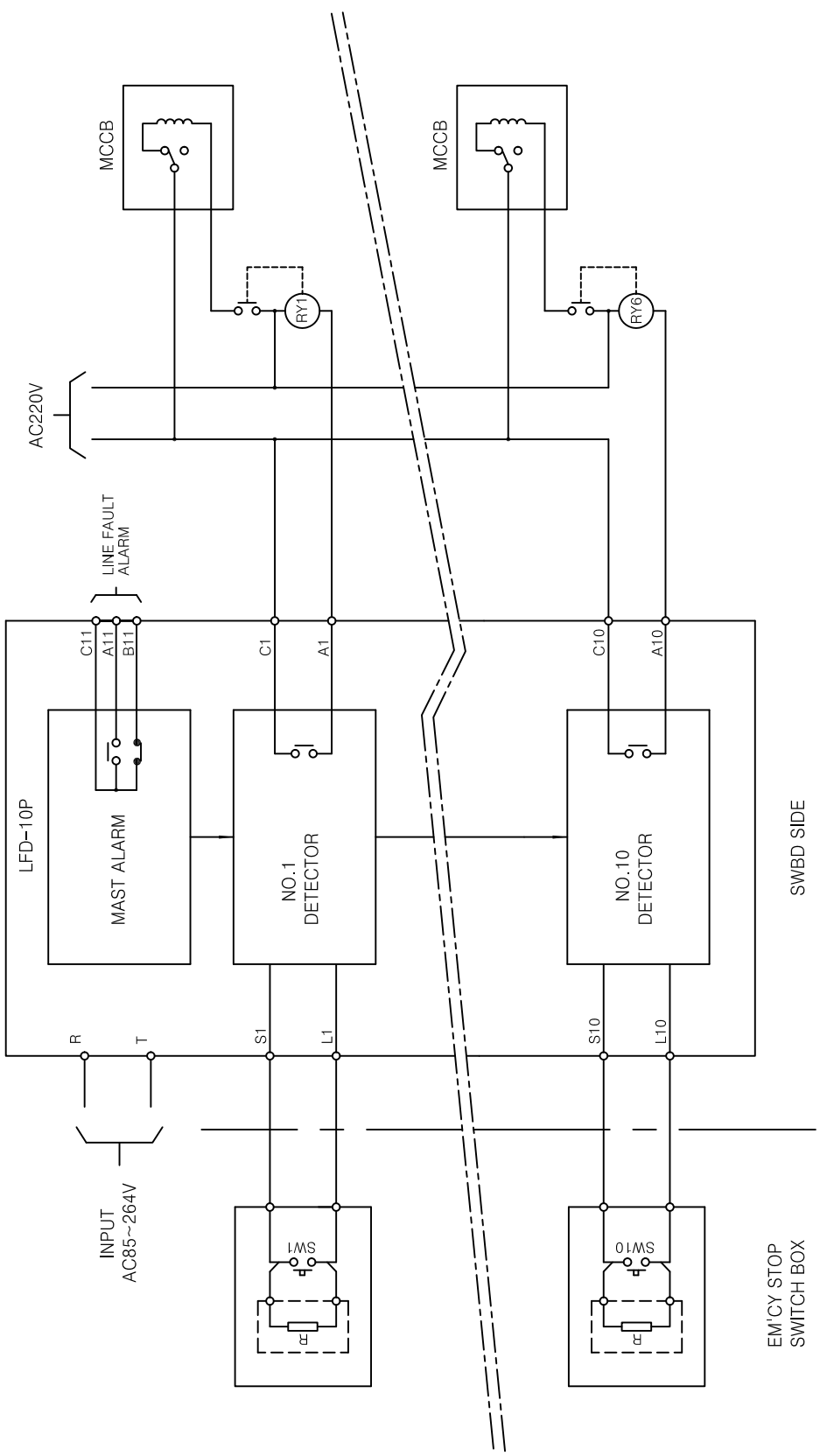
Edition

Sheet  
6 / 8



Title			
BLOCK DIAGRAM FOR LINE FAULT DETECTOR			
	LUXCO CO., LTD.	DWG. No.	Edition
		T209-20	
		Sheet	7 / 8





Title

APPLICATION CIRCUIT FOR LINE FAULT DETECTOR



LUXCO CO., LTD.

DWG. No.  
T209-20

Edition

Sheet  
8 / 8