

Fig no. V-105B Full Bore
1/4" ~ 4" DN 8- DN 100



Features :

- Investment Casting
- Blow out proof stem, In-line Maintenance
- For Chemical, Industrial Application
- Carbon Steel or Super Alloy upon request

Standard Compliance :

- Body wall thickness : EN 12516-1/2/3
- Butt Weld : B16.25
- Face to Face : MD's standard
- Body material : EN1503-1
- Pressure testing : EN 12266

Specification :

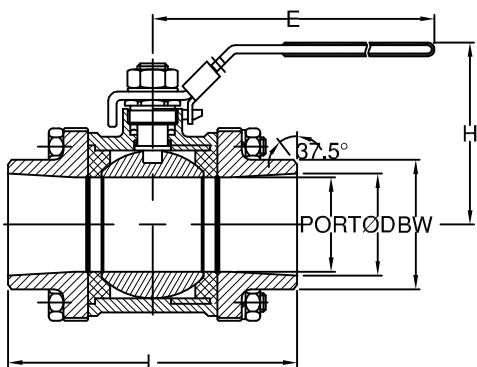
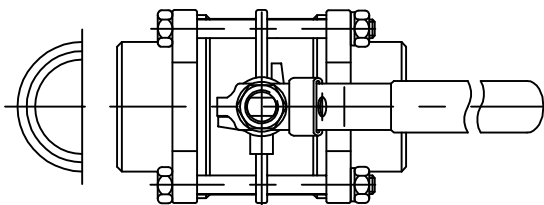
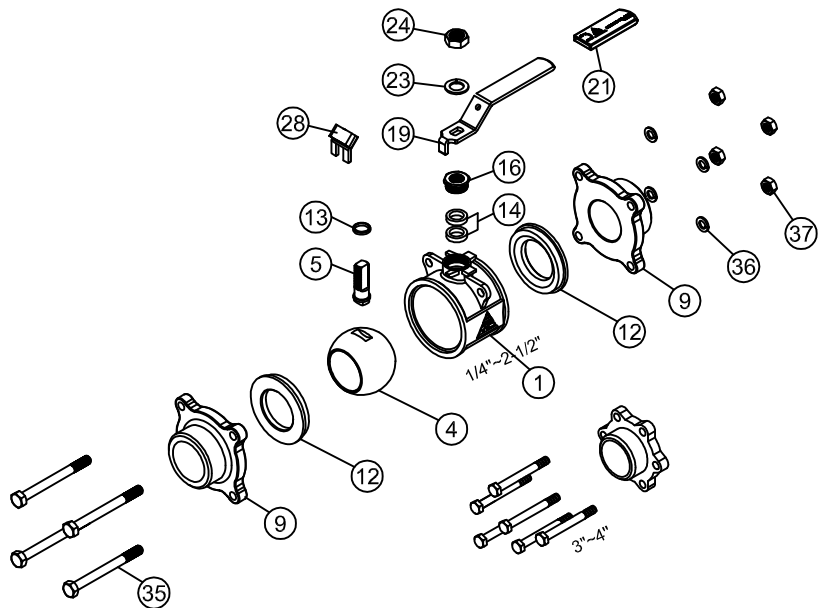
- End connection : Butt Weld end
- Working Pressure : 63 bar (CWP) for DN8-50
 40 bar (CWP) for DN65-100
- Temperature : -20 to 180°C

Option :

- Locking Device Handle
- F to F Length : DIN 3203 S13

MATERIALS LIST

NO.	PART NAME	MATERIAL
1	BODY	1.4408/EN1503-1
4	BALL	ASTM A351 Gr.CF8M
5	STEM	SS316
9	END CAP	1.4408/EN1503-1
12	SEAT	PTFE.
13	THRUST WASHER	PTFE.
14	STEM PACKING	PTFE.
16	GLAND NUT	SS304
19	HANDLE	SS304
21	HANDLE COVER	PLASTIC
23	HANDLE WASHER	SS304
24	HANDLE NUT	SS304
28	LOCKING DEVICE	SS304 (OPTION)
35	BODY BOLT	SS304
36	BOLT WASHER	SS304
37	BOLT NUT	SS304



DIMENSIONS

unit:mm

SIZE	PORT	L	E	ØD	H	BW
DN8	1/4"	11.0	54.0	97.4	11.0	49.0
DN10	3/8"	12.5	54.0	97.4	12.5	49.0
DN15	1/2"	15.0	63.5	122.9	15.8	58.0
DN20	3/4"	20.0	72.5	122.9	20.9	61.0
DN25	1"	25.0	81.0	144.9	26.6	68.0
DN32	1-1/4"	32.0	94.5	144.9	35.1	73.5
DN40	1-1/2"	38.1	108.0	188.9	40.9	84.5
DN50	2"	50.0	121.5	188.9	52.5	93.2
DN65	2-1/2"	62.7	157.5	255.3	65.0	131.8
DN80	3"	77.9	190.0	260.8	77.9	140.0
DN100	4"	100.0	225.0	322.2	102.3	173.6