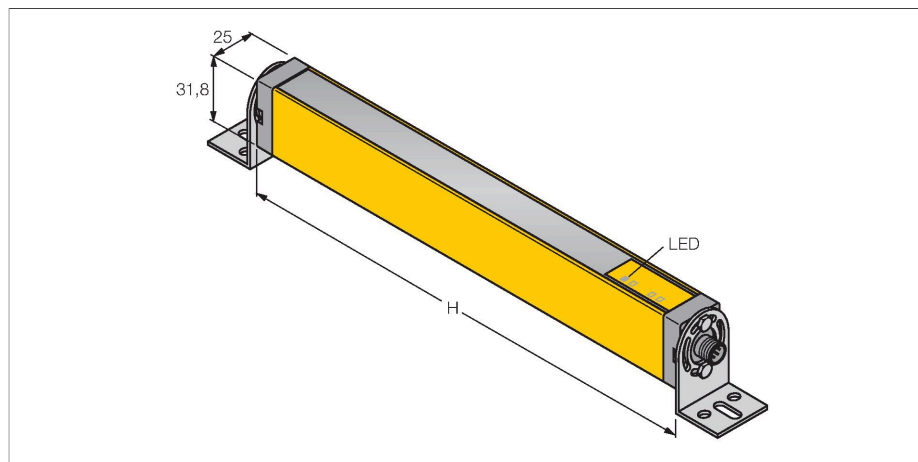


# LS2E30-1350Q8

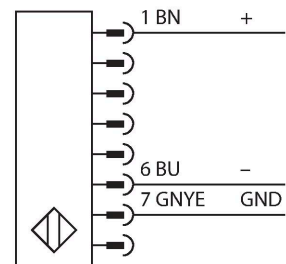
## Light Screen for Machine Safety Applications – Emitter



### Features

- Male M12 × 1, 8-pin
- Protection class IP65
- Scan field 1350 mm
- Resolution 30 mm
- Internal testing in 500 ms cycle
- Range 15 m
- Operating voltage 24 VDC ±15 %
- Type 2 acc. to IEC 61496-1,-2; category 2  
PLd acc. to EN ISO 13849-1; SIL2 acc. to IEC 61508

### Wiring diagram



### Technical data

Type	LS2E30-1350Q8
ID	3073532
<b>Optical data</b>	
Function	Light screen
Light type	IR
Wavelength	950 nm
Optical resolution	30 mm
Range	200...15000 mm
Scan field	1350 mm
Number of beams	72
With muting function	no
Scan Code	None
<b>Electrical data</b>	
Operating voltage	20...28 VDC
Residual ripple	< 15 % U <sub>ss</sub>
DC rated operational current	≤ 50 mA
No-load current	≤ 50 mA
Response time typical	< 24 ms
Blanking function	no
<b>Mechanical data</b>	
Design	Rectangular, EZ-Screen
Dimensions	31.8 x 25.2 x 1414 mm
Housing material	Metal, AL, Yellow polyester
Lens	plastic, Acrylic
Cascadable	No
Electrical connection	Connector, M12 × 1
Number of cores	8

### Functional principle

The safety light curtain consists of an emitter and a receiver. The system is optically synchronized, making the wiring between emitter and receiver redundant. The receiver's safety switching outputs are directly connected to a load relay and trigger an immediate stop of the dangerous machine cycle. Due to the dual-channel design of the switching device, personal safety degree type 2 acc. to IEC 61496 and category 2 acc. to EN 9541 are fulfilled.

## Technical data

Ambient temperature	0...+55 °C
Protection class	IP65
Power-on indication	LED, Green
<b>Tests/approvals</b>	
Vibration resistance	10-55 Hz at 0.35 mm
Shock test	10 g at 16 ms (6000 cycles)
Approvals	CE, cULus listed