



HT



HT 25...63



HT 71...100

Roof-mounted helical extractor fans with flat bases

Roof-mounted helical extractor fans with fibreglass reinforced plastic rotor and flat base for installing on roof.

Fan:

- Painted, galvanised sheet steel support base.
- Fibreglass reinforced polyamide-6 rotors, except for 100 models which have 4 poles in aluminium.
- Bird control grille
- Rain cap made of painted galvanised sheet steel, with protection against corrosion.
- Motor-rotor airflow direction.

Motor:

- IE2 efficiency motors for powers equal to or greater than 0.75kW and lower than 7.5kW, except single-phase, 2-speed and 8-pole.
- IE3 efficiency motors for powers equal to or greater than 0.75kW except single-phase, 2-speed and 8-pole.
- Class F motors with ball bearings, IP55 protection, except single-phase models from size 45 to size 63, IP54 protection.
- Single-phase 220-240V-50Hz and three-phase 220-240V/380-415V-50Hz (up to 4kW) and 400/690V-50Hz (powers greater than 4kW)
- Maximum temperature of air to be carried: -25°C +60°C

with phosphate-free nanotechnological treatment.

On request:

- IE2 and IE3 efficiency motors for all powers.
- Option of supply in the form of DISCHARGE FANS
- Rotors made of cast aluminium.
- Special windings for different voltages
- ATEX-certified Category 2

Finish:

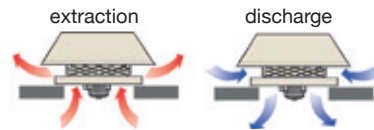
- Corrosion-proof finish of polyester resin polymerised at 190°C, previously degreased



Order code



- HT: Roof-mounted helical extractor fans with flat bases
- 25: Rotor diameter in cm
- 4T: Number of motor poles
2=2900 r/min. 50 Hz
4=1400 r/min. 50 Hz
6=750 r/min. 50 Hz
- I: M=Single-phase
T=Three-phase
- BS: BS: Raised support base
BSS: Raised support base with silencer



Technical characteristics

Model	Speed (r/min)	Maximum admissible current (A)			Installed power (kW)	Maximum flow rate (m³/h)	Sound pressure level dB(A)		Approx. weight (Kg)
		230V	400V	690V			Aspiration	Discharge	
HT-25-4T	1320	0.65	0.38	0.09	1080	41	40	12.5	
HT-25-4M	1380	0.65		0.10	1080	41	40	12.5	
HT-31-4T	1320	0.65	0.38	0.09	1800	47	46	13.3	
HT-31-4M	1370	0.83		0.09	1800	47	46	13.5	
HT-35-4T	1320	0.65	0.38	0.09	2600	48	47	17.5	
HT-35-4M	1370	0.83		0.09	2600	48	47	17.5	
HT-40-4T	1350	1.66	0.96	0.25	4600	51	50	21.0	
HT-40-4M	1370	2.00		0.25	4600	51	50	21.0	
HT-45-4T	1370	2.02	1.17	0.37	6500	55	53	29.0	
HT-45-4M	1400	2.76		0.37	6500	55	54	30.5	
HT-50-4T	1380	2.92	1.69	0.55	8500	59	57	36.0	
HT-50-4M	1350	4.40		0.55	8500	59	57	39.0	

ROOF-MOUNTED HELICAL EXTRACTOR FANS

Technical characteristics

Model	Speed (r/min)	Maximum admissible current (A)			Installed power (kW)	Maximum flow rate (m³/h)	Sound pressure level dB(A)		Approx. weight (Kg)
		230V	400V	690V			Aspiration	Discharge	
HT-56-4T	1410	3.10	1.79		0.75	9800	61	57	35.0
HT-56-4M	1410	5.05			0.75	9800	61	57	37.0
HT-56-6T	900	1.51	0.87		0.25	6600	48	46	46.0
HT-56-6M	900	2.07			0.25	6600	48	46	46.0
HT-63-4T	1400	4.03	2.32		1.10	14000	63	59	65.8
HT-63-6T	900	2.24	1.30		0.37	9200	52	49	61.8
HT-63-6M	900	2.69			0.37	9200	52	49	61.8
HT-71-4T	1430	5.96	3.44		1.50	18000	69	67	64.0
HT-71-6T	900	2.99	1.73		0.55	12200	58	56	64.9
HT-71-6M	900	3.84			0.55	12200	58	56	64.9
HT-80-4T	1445	8.36	4.83		2.20	26200	73	70	87.8
HT-80-6T	945	4.88	2.82		1.10	18000	64	61	81.8
HT-90-4T	1445	10.96	6.33		3.00	31500	77	74	94.0
HT-90-6T	955	6.42	3.71		1.50	21200	68	65	91.0
HT-100-4T-7,5	1440		11.60	6.72	5.50	37000	80	77	114.0
HT-100-4T-10 IE3	1465		13.90	8.06	7.50	44000	84	81	141.0
HT-100-6T-2	955	6.42	3.71		1.50	25000	71	68	102.0
HT-100-6T-3	955	9.30	5.30		2.20	28200	75	72	106.0



Erp. Best efficiency point (BEP) characteristics

MC	Measurement category	ηe[%]	Efficiency
EC	Efficiency category	N	Efficiency grade
S	Static	[kW]	Electric power
T	Total	[m³/h]	Flow rate
VSD	Variable speed drive	[mmH₂O]	Static or total pressure (based on EC)
SR	Specific ratio	[RPM]	Speed

Model	MC	EC	VSD	SR	ηe[%]	N	[kW]	[m³/h]	[mmH ₂ O]	[RPM]
HT-25-4T	-	-	-	-	-	-	0.099	586	3.45	1358
HT-25-4M	-	-	-	-	-	-	0.102	566	3.59	1386
HT-31-4T	-	-	-	-	-	-	0.103	1013	4.06	1397
HT-31-4M	-	-	-	-	-	-	0.111	1004	4.09	1418
HT-35-4T	-	-	-	-	-	-	0.125	1857	6.94	1375
HT-35-4M	A	S	NO	1.00	28.0%	40.0	0.126	1851	6.96	1422
HT-40-4T	A	S	NO	1.00	32.0%	41.7	0.289	3401	10.00	1396
HT-40-4M	A	S	NO	1.00	31.0%	40.6	0.299	3399	10.01	1405
HT-45-4T	A	S	NO	1.00	33.4%	41.8	0.475	4228	13.80	1392
HT-45-4M	A	S	NO	1.00	32.3%	40.5	0.494	4257	13.73	1417
HT-50-4T	B	T	NO	1.00	53.4%	60.6	0.733	9635	14.91	1395
HT-50-4M	B	T	NO	1.00	51.3%	58.4	0.763	9642	14.90	1411
HT-56-4T	B	T	NO	1.00	66.7%	74.0	0.700	12713	13.47	1433
HT-56-4M	B	T	NO	1.00	56.7%	63.6	0.824	12698	13.49	1445
HT-56-6T	A	S	NO	1.00	31.4%	41.7	0.237	3564	7.69	919
HT-63-4T	C	S	NO	1.00	45.3%	51.1	1.179	10593	18.50	1412
HT-63-6T	C	S	NO	1.00	32.7%	41.1	0.474	6417	8.88	921
HT-63-6M	C	S	NO	1.00	32.2%	40.6	0.482	6339	8.99	915
HT-71-4T	C	S	NO	1.00	50.1%	55.3	1.508	13256	20.95	1442
HT-71-6T	C	S	NO	1.00	35.7%	43.0	0.710	8036	11.60	913
HT-71-6M	C	S	NO	1.00	33.6%	40.7	0.755	7945	11.73	908
HT-80-4T	C	S	NO	1.00	56.7%	60.7	2.309	16178	29.73	1451
HT-80-6T	C	S	NO	1.00	46.7%	52.1	1.380	15312	15.45	946
HT-90-4T	C	S	NO	1.00	58.1%	61.1	3.362	20308	35.36	1447
HT-90-6T	C	S	NO	1.00	50.9%	55.7	1.777	18106	18.37	957
HT-100-4T-7,5	C	S	NO	1.00	51.0%	52.4	5.965	27281	40.95	1443
HT-100-4T-10 IE3	C	S	NO	1.00	48.4%	49.1	7.832	36164	38.48	1467
HT-100-6T-2	C	S	NO	1.00	47.5%	52.5	1.619	19961	14.14	953
HT-100-6T-3	C	S	NO	1.00	47.3%	51.1	2.461	23849	17.92	959

Data on the best efficiency point of the internal fan

Acoustic characteristics

The indicated values are determined by measuring the pressure and noise level in dB(A) obtained in a free field at a distance of 6 m.

Noise power spectrum Lw(A) in dB(A) frequency band in [Hz]

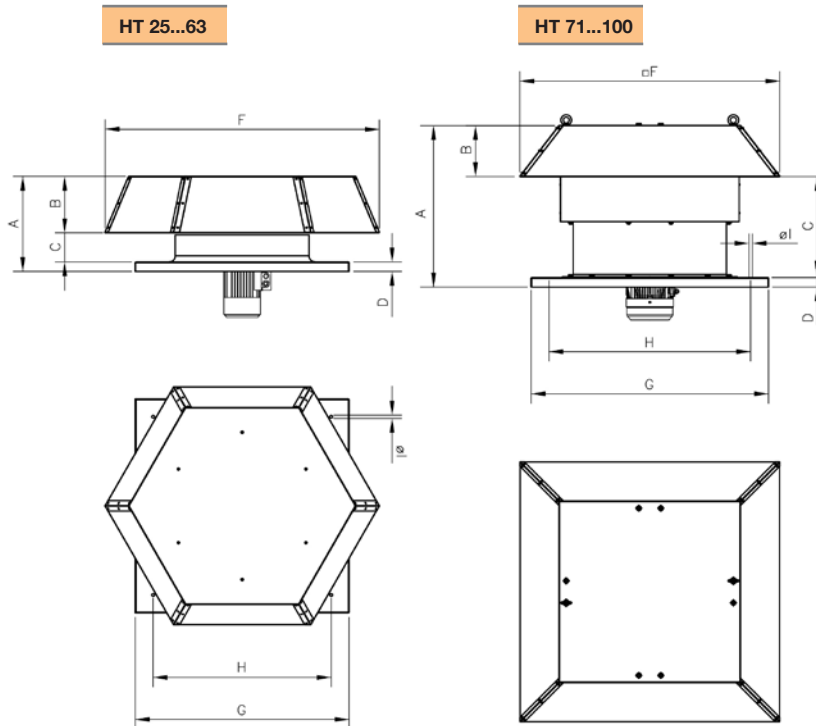
Values taken during aspiration with maximum flow rate (Qmax)

Model	63	125	250	500	1000	2000	4000	8000
25	27	37	54	54	62	58	51	42
31	33	43	60	60	68	64	57	48
35	34	44	61	61	69	65	58	49
40	28	45	57	65	70	70	66	59
45	32	49	61	69	74	74	70	63
50	36	53	65	73	78	78	74	67
56-4	38	55	67	75	80	80	76	69
56-6	25	42	54	62	67	67	63	56
63-4	40	57	69	77	82	82	78	71
63-6	29	46	58	66	71	71	67	60
71-4	46	63	75	83	88	88	84	77
71-6	35	52	64	72	77	77	73	66
80-4	57	78	85	90	93	89	82	71
80-6	48	69	76	81	84	80	73	62
90-4	61	82	89	94	97	93	86	75
90-6	52	73	80	85	88	84	77	66
100-4-7,5	64	85	92	97	100	96	89	78
100-4-10	68	89	96	101	104	100	93	82
100-6-2	55	76	83	88	91	87	80	69
100-6-3	59	80	87	92	95	91	84	73

Values taken during discharge with maximum flow rate (Qmax)

Model	63	125	250	500	1000	2000	4000	8000
25	26	36	53	53	61	57	50	41
31	32	42	59	59	67	63	56	47
35	33	43	60	60	68	64	57	48
40	27	44	56	64	69	69	65	58
45	30	47	59	67	72	72	68	61
50	34	51	63	71	76	76	72	65
56-4	34	51	63	71	76	76	72	65
56-6	23	40	52	60	65	65	61	54
63-4	36	53	65	73	78	78	74	67
63-6	26	43	55	63	68	68	64	57
71-4	44	61	73	81	86	86	82	75
71-6	33	50	62	70	75	75	71	64
80-4	54	75	82	87	90	86	79	68
80-6	45	66	73	78	81	77	70	59
90-4	58	79	86	91	94	90	83	72
90-6	49	70	77	82	85	81	74	63
100-4-7,5	61	82	89	94	97	93	86	75
100-4-10	65	86	93	98	101	97	90	79
100-6-2	52	73	80	85	88	84	77	66
100-6-3	56	77	84	89	92	88	81	70

Dimensions mm



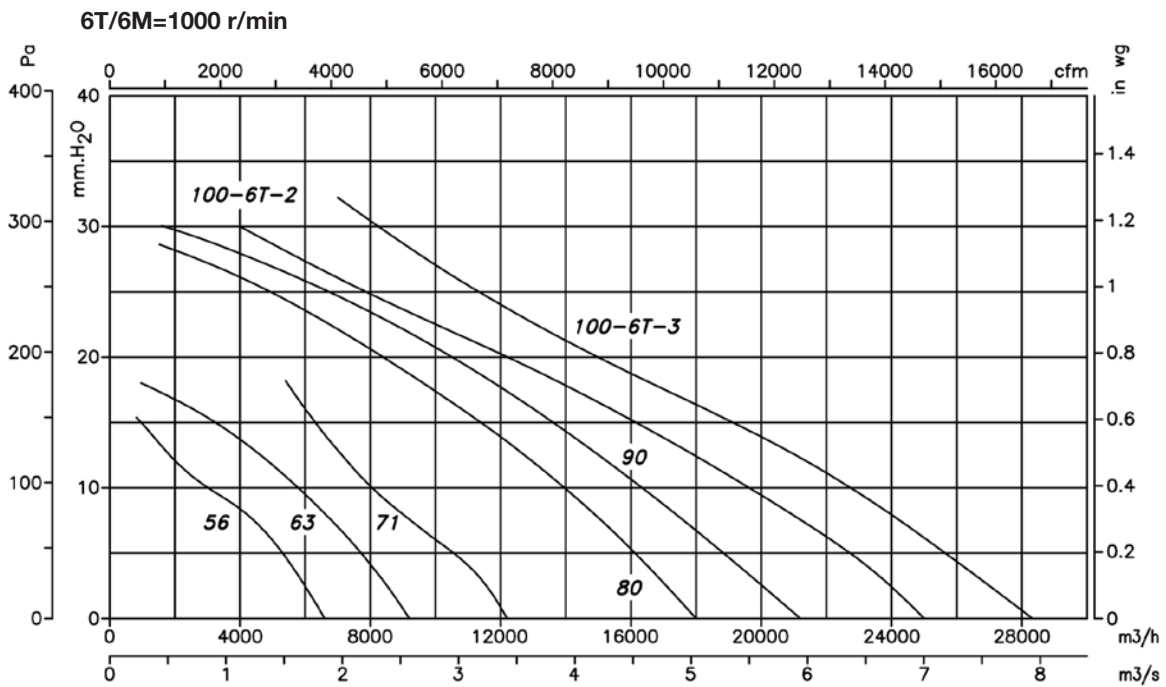
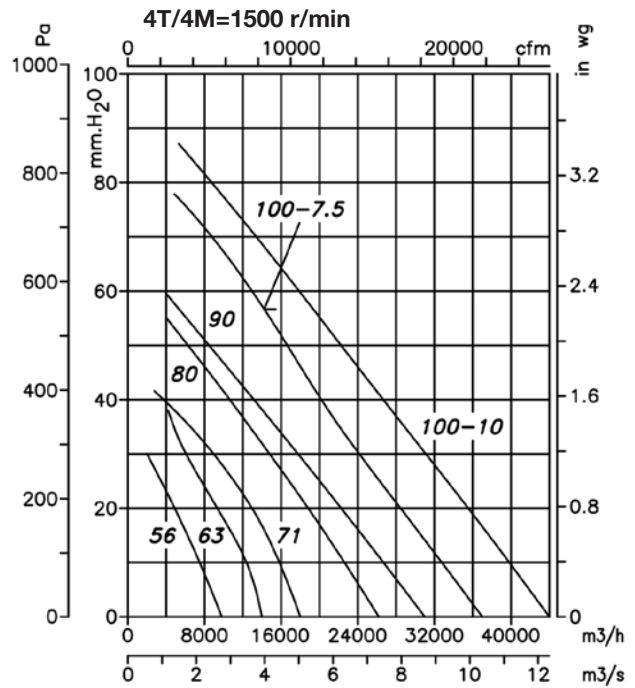
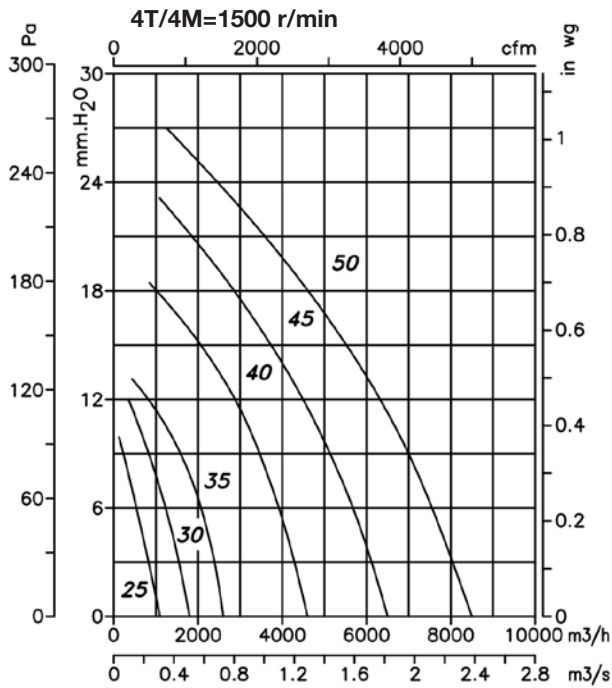
Model	A	B	C	D	F	G	H	I
HT-25	223	140	43	40	634	450	360	12
HT-31	245	140	65	40	634	500	410	12
HT-35	270	184	61	40	808	560	450	12
HT-40	295	184	86	40	808	630	530	12
HT-45	342	202	90	50	923	710	590	12
HT-50	373	238	85	50	1154	880	680	12
HT-56	402	238	124	40	1154	900	750	14
HT-63	457	277	141	40	1384	1000	850	14
HT-71	760	195	565	40	1120	1000	850	14
HT-80	790	215	575	50	1252	1150	1000	14
HT-90	910	232	678	50	1380	1150	1000	14
HT-100	1055	252	803	50	1527	1250	1100	14

ROOF-MOUNTED HELICAL EXTRACTOR FANS

Characteristic curves

Q= Flow rate in m³/h, m³/s and cfm.

Pe= Static pressure in mmH₂O, Pa and inwg.



Accessories

