

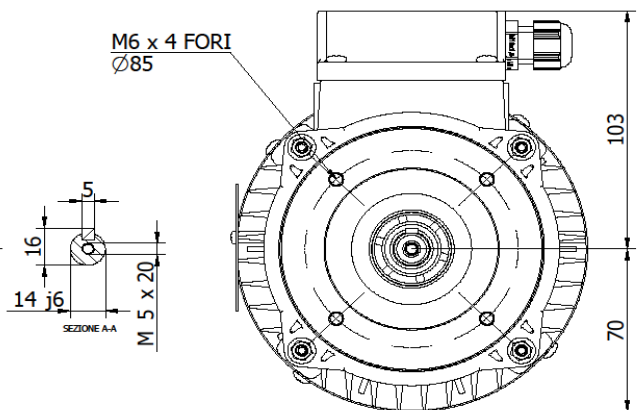
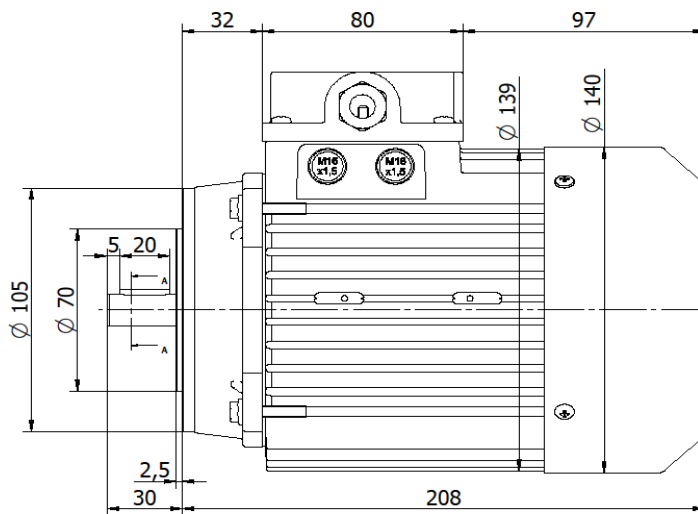
MOTOR SPECIFICATION SHEET**THREE-PHASE ASYNCHRONOUS MOTOR**

SPECIFIC.N°: DSD200094

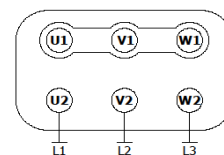
BONANI
MOTORI ELETTRICI

by BONANI S.P.A.

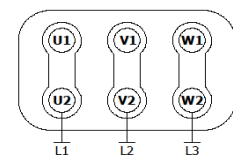
BONANI PART NUMBER :	T4CCC02U	FRAME :	IEC 71	
CUSTOMER PART NUMBER :		MOUNTING / POSITION :	IMB14 / HORIZONTAL	
MOTOR TYPE :	TR71C4	MATERIAL FLANGE/END SHILD :	alluminium	
PROTECTION DEGREE :	IP55	MATERIAL TERMINAL BOX :	alluminium	
VOLTAGE :	230 / 400 (50Hz) 277 / 480 (60Hz)	MATERIAL FAN :	Nylon polyamide 6 UL V0	
VOLTAGE TOLLERANCE :	+/- 5%	MATERIAL COVER FAN :	galvanized steel	
POLES :	4	MATERIAL SHAFT :	C 43	
NOMINAL POWER [Kw] :	0,55 (50Hz) - 0,66 (60Hz)	DE BEARING TYPE :	6202 ZZ	
LOAD CURRENT [Amp] :	2,60 / 1,50 Amp (50Hz) 2,60 / 1,50 Amp (60Hz)	NDE BEARING TYPE :	6202 ZZ	
STARTING CURRENT [Amp] :	10,4 / 6	MOTOR COLOUR :		
COS FI :	0,80	SPECIAL CHARACTERISTICS :	UL/CSA CERTIFICATED	
EFFICIENCY :				
SPEED [rpm] :	1400 (50Hz) - 1680 (60Hz) RPM			
DIRECTION OF ROTATION :	BIDIRECTIONAL			
ENVIROMENT CONDITION :	-15/+40°C	NAME PLATE POSITION		LEFT (STD)
ALTITUDE OF DUTY :	MAX. 1000m	TERMINAL BOX POSITION :		"A" POS. (STANDARD)
DUTY :	S1	CABLE GLAND TYPE :		M16x1,5
INSULATION CLASS :	F	CABLE GLAND POSITION :		RIGHT
TYPE OF WINDING :	UL/CSA WITH PHASE INSULATED	POSITION OF TERMINAL BOX :		TOP
ANTICONDENSATION HEATER :	/	WEIGHT [Kg] :		6 Kg

OVERALL DIMENSIONS**OTHER CARACTERISTIC****MOTOR COMPLIES WITH FOLLOWING STANDARDS**

RATING AND PERFORMANCE EN60034-1
 EFFICIENCY CLASS IEC/EN 60034-30-1
 TEST METHODS SPECIFIED IN IEC 60034-2-1
 VOLTAGE STANDARDS IEC60038
 MOUNTING CHARACTERISTICS (IM Code) IEC/EN60034-7
 PROTECTION DEGREE (IP Code) IEC60034-5
 DIMENSIONAL IEC/EN60072-1
 LOW VOLTAGE DIRECTIVE 2014/30/EU (LVD)
 ELECTROMAGNETIC COMPATIBLY DIRECTIVE 2014/30/EU (EMC)
 MACHINE DIRECTIVE 2006/42/EC
 SAFETY OF MACHINERY IEC/EN60204-1:2016
 DIELECTRIC STRENGHT TEST & INSULATION: COMPLY CITH EN60204-1:2016
 DIRECTIVE (RoHS 3) 2015/863/EU

ELECTRICAL CONNECTION

Y stella / star
(Higher voltage)



Δ triangolo / triangle
(Lower voltage)

Le informazioni riportate sono di proprietà esclusiva di Bonani S.P.A.

The information provided is the only property of Bonani S.P.A.