

**Technical Data - General**

Operating pressure: without  
 Temperature range: 0...90 °C  
 Insertion position: vertically ± 20°  
 Material:  
 Float: see order designation  
 Pipe: Al-alloy  
 Flange: Al-alloy  
 Weight: at L=300 ca. 1,0 kg

**Technical Data - Reed Contact**

**Plug-in connection Z3N; Z6BN**  
 Connection: DIN 43650  
 Connection: DIN 43651  
 Protection type: IP 65  
 Switching voltage: 10...250 VUC  
 Switching current max.: 0,5 A  
 Switching capacity max.: 40/40 W/VA

**Technical Data - Reed Contact**

**Plug-in connection Z4N**  
 Connection: M12x1; 4pol.  
 Protection type: IP 67  
 Switching voltage max.: 24VDC  
 Switching current max.: 0,5 A  
 Switching capacity max.: 40/40 W/VA

For inductive and capacitive loads, suppressor circuits shall be provided for.  
 (Diode, RC element, varistor)

**Order example:**

Level switch KFW-D  
 Float C  
 L1 Opener at 350mm,  
 L2 Opener at 330mm,  
 L3 Closer at 170mm  
 Plug-and-socket connection  
 6pol.+PE DIN 43651  
 Differential measure  
 $L1-L3 = 350-170 = 180\text{mm}$   
 Next differential measure range = 200mm  
 Total length  $L=(L1+60) = 350+60 = 410$

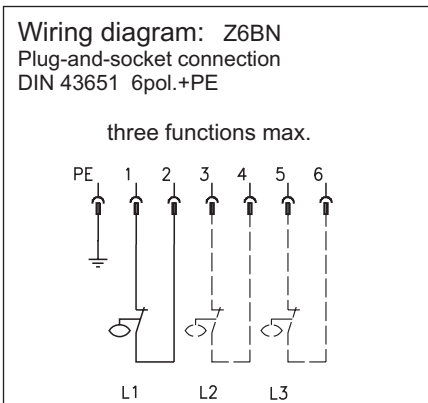
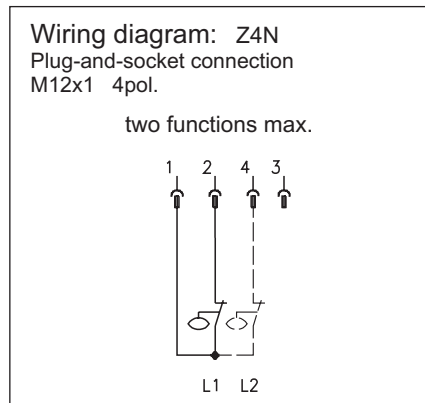
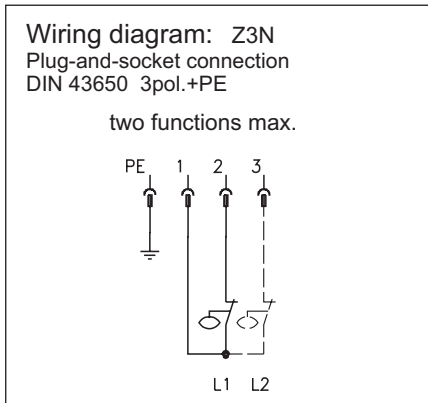
**KFW-D**

200/C/O/O/S/Z6BN/410/350/330/170

The cable jacks are not parts of the delivery extent.

**Spare parts:**

Switching element L1 red	477.127-60
Switching element L2 orange	477.128-60
Switching element L3 violett	477.215-60
Cable jack DIN 43650	913.400-20
Sealing for DIN 43650	913.400-22
Cable jack DIN 43651	913.400-27
Socket-contact for cable jack DIN 43651	913.400-29
Plug-contact	913.400-28



- Subject to modifications -