

Proximity Sensors Capacitive Flat pack Polycarbonate Housing Type EC 5525

TRIPLESIELD™



- Featuring **TRIPLESIELD™** Sensor Protection
- Adjustable sensing distance 2-25 mm
- Rated operational voltage: 10 to 40 VDC
- Output: DC 200 mA, NPN or PNP
- Make and break switching function, LED indication
- Capacitive, Inductive and Photoelectric flat pack series in PC housing, IP 67
- Cable and plug versions
- Can be flush or non-flush mounted

Product Description

Capacitive proximity switch with sensing distance 16 mm flush mounted in metal or 25 mm non-flush mounted. 4-wire with both make (NO) and break (NC) switching. Flat pack housing size (W x H x D) 35 x 55 x 15 mm made in polycarbonate. Easy mounting with only two M 3.5 screws. Ideal for use in material handling applications.

Ordering Key

EC 55 25 NPA P-1

Type	_____
Housing	_____
Range	_____
Output type	_____
Housing material	_____
Connection type	_____

Type Selection

Housing dimensions W x H x D	Rated operating dist. (S _n)	Ordering no. NPN/cable Make & break swit.	Ordering no. NPN/plug Make & break swit.	Ordering no. PNP/cable Make & break swit.	Ordering no. PNP/plug Make & break swit.
35 x 55 x 15	25 mm	EC 5525 NPAP	EC 5525 NPAP-1	EC 5525 PPAP	EC 5525 PPAP-1

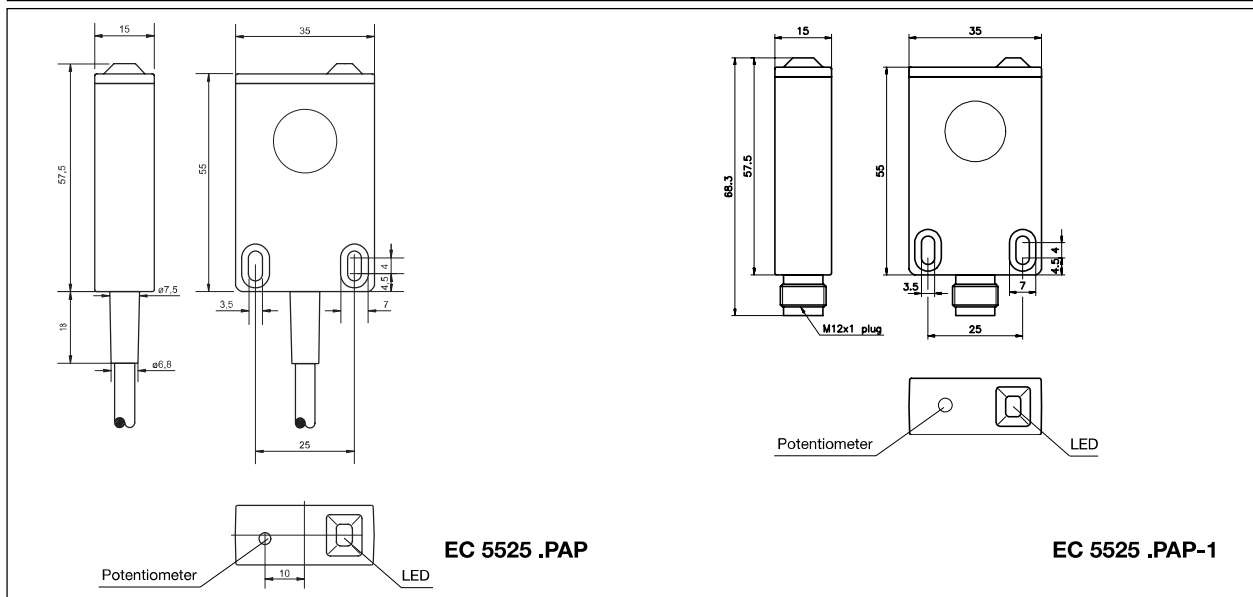
Specifications

Rated operational volt. (U _e)	12 to 36 VDC	Environment	Degree of protection	IP 67 (Nema 1, 3, 4, 6, 13)
(U _B)	10 to 40 VDC (ripple included)		Operating temperature	-25° to +70°C (-13° to +158°F)
Ripple	≤ 10%	Storage temperature	-30° to +80°C (-22° to +176°F)	
Rated operational current (I _o)	≤ 200 mA	Housing material	Polycarbonate, grey	
Continuous		Cable	2 m, 4 x 0.3 mm ² grey PUR, oil proof	
No-load supply current (I _o)	≤ 15 mA	Weight	125 g cable version 40 g plug version	
Voltage drop (U _d)	≤ 2 VDC at max. load	EMC ratings	Acc. to EN 50 082-2	
Protection	Reverse polarity, short-circuit	ENV 50 140 RF Electromagnetic field AM, 80-1000 MHz, Level 3	10 V/m	
Power ON delay	≤ 300 ms	ENV 50 204 RF Electromagnetic field PM, 80-900 MHz, Level 3	10 V/m	
Frequency of operating cycles (f)	100 Hz	EN 61000-4-2 ESD Contact discharge, Level 4	8 kV	
Indication for output ON	LED, yellow	Air discharge, Level 4	17 kV	
Assured operating dist. (S _a)	0 ≤ S _a ≤ 0.81 S _n	EN 61000-4-4 Fast transient Rep. freq. 5 kHz, Level 3	1 kV	
Repeat accuracy (R)	≤ 5%	IEC 60947-5-2 Surges common mode, Gen. Imp. 500E, Level 3	2.5 kV	
Hysteresis (H) (Differential travel)	4 to 20% of sensing distance			
Effective operating dist. (S _r)	0.9 x S _n ≤ S _r ≤ 1.1 x S _n			
Usable operating dist. (S _u)	0.8 x S _r ≤ S _u ≤ 1.2 x S _r			

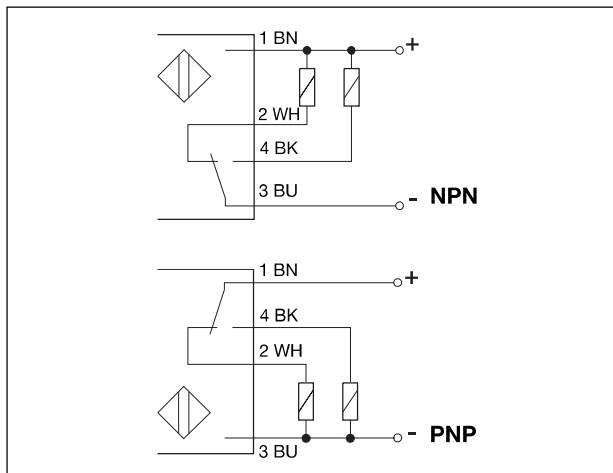
Specifications are subject to change without notice

1

Dimensions



Wiring Diagrams



Accessories

- Plugs CONH1A.. serie, please refer to "Accessories".

Delivery Contents

- Capacitive switch: EC 5525
- Screw driver
- **Packaging:** plastic bag