

Liquid Drainers

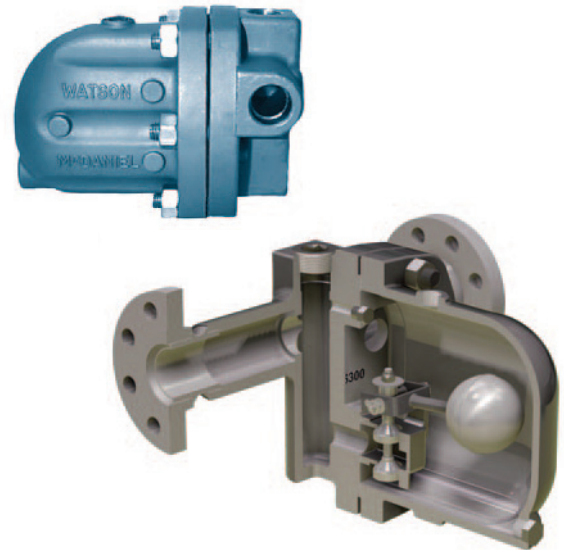
Float Type Liquid Drainer

WLD600 • Carbon Steel
WLD601 • 316 SS

Model	WLD600 & WLD601
Sizes	3/4", 1", 1 1/2", 2", 3", 4"
Connections	NPT, SW, Flanged
Body Material WLD600	Carbon Steel
Body Material WLD601	316 Stainless Steel
PMO Max. Operating Pressure	450 PSIG
TMO Max. Operating Temperature	750°F
PMA Max. Allowable Pressure	* 990 PSIG @ 100°F
TMA Max. Allowable Temperature	* 750°F @ 670 PSIG

* 3/4" - 2" only.

Note: For dimensions and capacities of 3" & 4" liquid drain traps, refer to model FT600 in the Steam Trap section.



Typical Applications

The **WLD600/WLD601 Series** are used in applications where immediate and continuous discharge of large amounts of liquid is required. Typically used in heavy industrial process applications for draining condensate from air or other gases.

How It Works

The **WLD600/WLD601 Series** liquid drainers contain a float-operated valve. When liquid enters the drainer, the float rises opening the valve which allows liquid to be drained.

Features

- All stainless steel internals for long service life
- Body & cover available in Carbon Steel or 316 SS
- Rugged construction designed for heavy industrial applications
- In-line repairable

Sample Specification

The liquid drain trap shall be float operated with a cast steel body (or stainless steel body for WLD601) and all stainless steel internals. The unit shall be in-line repairable and equipped with a FNPT threaded connection for the use of a balance line.

Installation

The installation should include isolation valves to facilitate maintenance and an in-line strainer. The trap must be level and upright for the float mechanism to operate. Trap must be adequately sized and properly located in the system. Installation may require an equalizing or balancing line connected from top of drainer body to the above piping, for proper drainage.

Maintenance

All working components can be replaced with the drain trap remaining in the pipeline. Repair kits include float, valve seat & disc and gaskets. For full maintenance details see Installation and Maintenance Manual.

Options

316 SS Body & Cover: use Model **WLD601**.

MATERIALS

Body & Cover WLD600	Cast Steel, ASTM A-216 WCB
Body & Cover WLD601	Cast 316 SS
Cover Studs	Steel, SA 193, Gr B7
Cover Nuts	Steel, SA 194, Gr 2H
Cover Gasket	Stainless Steel Reinforced Grafoil
Valve Assembly	Stainless Steel, AISI 431
Gasket, Valve Assembly	Stainless Steel Reinforced Grafoil
Pivot Assembly	Stainless Steel, 17-4 PH
Mounting Screws	Stainless Steel Hex Head, 18-8
Float	Stainless Steel, ASTM 240 TY 304

How to Size / Order

Determine the capacity (lbs/hr) required at the specified differential pressure. Locate differential pressure on capacity chart; move down column to capacity required. Make sure to select the correct model based on the maximum inlet pressure.

Example:

Required to drain 2,000 lbs/hr at a differential pressure of 300 PSI. The maximum inlet pressure is 325 PSIG.

Select Model: **WLD600-450-14-N**, 1" NPT, capacity up to 2,250 lbs/hr based on 300 PSI differential pressure

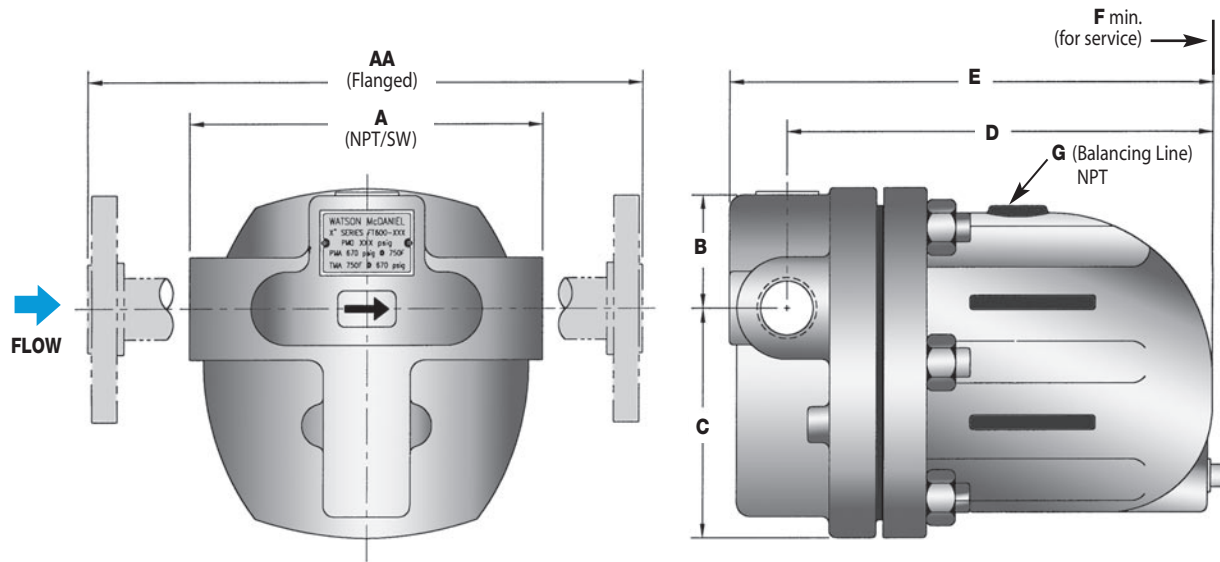
Connections: (N=NPT, SW=Socket Weld, F150=150# FLG, F300=300# FLG, F600=600# FLG)

Example Models: **WLD600-450-14-SW** = 1" Socket Weld
WLD600-450-14-F600 = 1" 600# FLG

Liquid Drainers

Float Type Liquid Drainer

WLD600 • Carbon Steel
WLD601 • 316 SS



DIMENSIONS & WEIGHTS – inches/pounds										Weight (lbs)	
Size	A	AA	B	C	D	E	F	G *	Weight (lbs)		
									NPT/SW	FLG	
3/4"	6 1/8	10 1/8	2 1/8	37/16	77/16	87/16	5 13/16	3/8	25	31	
1"	6 1/2	10 7/16	2 1/2	5 1/2	87/16	9 1/2	6 5/16	3/8	31	36	
1 1/2"	9 13/16	14	3 7/16	9	10 7/16	11 15/16	7 13/16	1/2	82	91	
2"	11 13/16	16	3 1/8	7 7/16	11 1/8	13 5/16	6 13/16	1/2	93	107	

* Balancing Port available with 1/2" flanged connection. Specify on order.

Capacity in lbs/hr is based on differential pressure across the drainer. Select a model with an equal or higher PMO (max. operating pressure) than the maximum inlet pressure to the drainer. If the pressure to the drainer exceeds the PMO, the drainer may not open. If discharging to atmosphere, the differential pressure is equal to the inlet pressure.

CAPACITIES – Cold Water (lbs/hr)			For WLD600 & WLD601														
Model Code PMO* (PSIG)	Pipe Size	Orifice Size	Differential Pressure (PSI)														
			2	5	10	20	30	40	65	70	80	100	145	200	300	350	450
WLD600-65-13-N	3/4"	.156	340	520	730	1010	1220	1440	1770								
WLD600-65-14-N	1"	.276	1390	2140	2970	4130	5000	5730	7210								
WLD600-65-16-N	1 1/2"	.689	4160	6430	8920	12380	15000	17190	21630								
WLD600-65-17-N	2"	1.122	14730	22720	31540	43790	53060	60790	76500								
WLD600-145-13-N	3/4"	.126	210	320	450	620	760	870	1090	1130	1200	1340	1590				
WLD600-145-14-N	1"	.205	690	1070	1490	2060	2500	2870	3610	3740	3980	4420	5270				
WLD600-145-16-N	1 1/2"	.591	2360	3630	5050	7010	8490	9730	12240	12670	13500	15000	17890				
WLD600-145-17-N	2"	.807	5840	9010	12510	17370	21040	24110	30340	31420	33470	37200	44360				
WLD600-200-13-N	3/4"	.106	170	260	360	500	600	690	870	900	960	1060	1270	1480			
WLD600-200-14-N	1"	.185	450	690	960	1330	1620	1850	2330	2410	2570	2860	3410	3970			
WLD600-200-16-N	1 1/2"	.531	1650	2550	3540	4910	5950	6820	8580	8890	9470	10520	12540	14610			
WLD600-200-17-N	2"	.657	2890	4460	6190	8590	10410	11930	15010	15540	16560	18400	21940	25540			
WLD600-300-13-N	3/4"	.079	80	130	180	250	300	340	430	450	480	530	630	730	890		
WLD600-300-14-N	1"	.156	340	520	730	1010	1220	1400	1770	1830	1950	2160	2580	3010	3640		
WLD600-300-16-N	1 1/2"	.531	1650	2550	3540	4910	5950	6820	8580	8890	9470	10520	12540	14610	17700		
WLD600-300-17-N	2"	.657	2890	4460	6190	8590	10410	11930	15010	15540	16560	18400	21940	25540	30950		
WLD600-450-13-N	3/4"	.063	50	70	100	140	160	190	240	250	260	290	350	400	490	530	590
WLD600-450-14-N	1"	.126	210	320	450	620	760	870	1090	1130	1200	1340	1590	1860	2250	2420	2720
WLD600-450-16-N	1 1/2"	.531	1650	2550	3540	4910	5950	6820	8580	8890	9470	10520	12540	14610	17700	19040	21440
WLD600-450-17-N	2"	.657	2890	4460	6190	8590	10410	11930	15010	15540	16560	18400	21940	25540	30950	33290	37490

* PMO based on a liquid with a specific gravity of 1.0. Consult factory for the PMO of a liquid with specific gravity less than 1.0.