

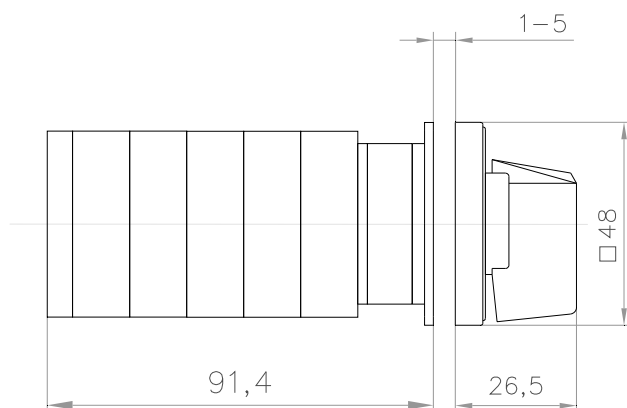
1. RATED DATA

Type, diagram No. and mounting form (KONCAR)	GN25-6975-U
Customer	Impexron GmbH - Germany
Mounting form	Front mounting " U"
Rated insulation voltage	Ui 690V AC
Rated thermal current	Ith 25A
Rated operational current	Ie 25A
AC1, AC21 690V	Ie 12A
AC15 230V	7,5 kW
Motor switch in utilization category AC3 3x400V	Icw 400 A
Rated short time withstand current 1sec	
Turning angle	60 deg
No. of control position	3
Contact unit material	Melopas MP183 – Rashing
Switch weight	0,19 kg
Comply with standards:	IEC 60947-1, 3; DIN EN 61058; UL 508; C22.2 No.14

2. ROUTINE TEST DATA

- Mechanical test carried out with	5 cycles
- Voltage test	2,8 kV, 50Hz, 1s
- Connection diagram test	per one piece

3. DIMENSION DRAWING



KONČAR - NISKONAPONSKE
SKLOPKE I PREKIDAČI d.o.o.
ZAGREB 12

Zagreb, 06.12.2017.

Approved by: Davor Prusa