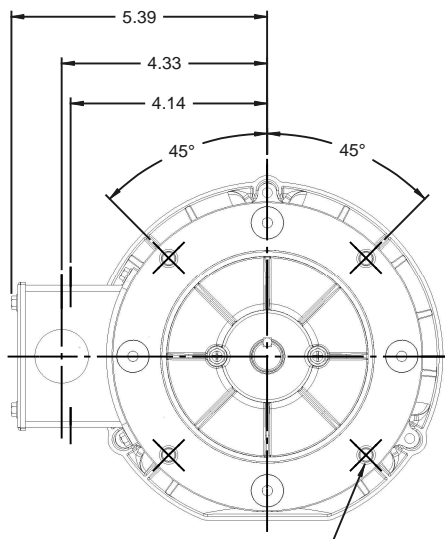
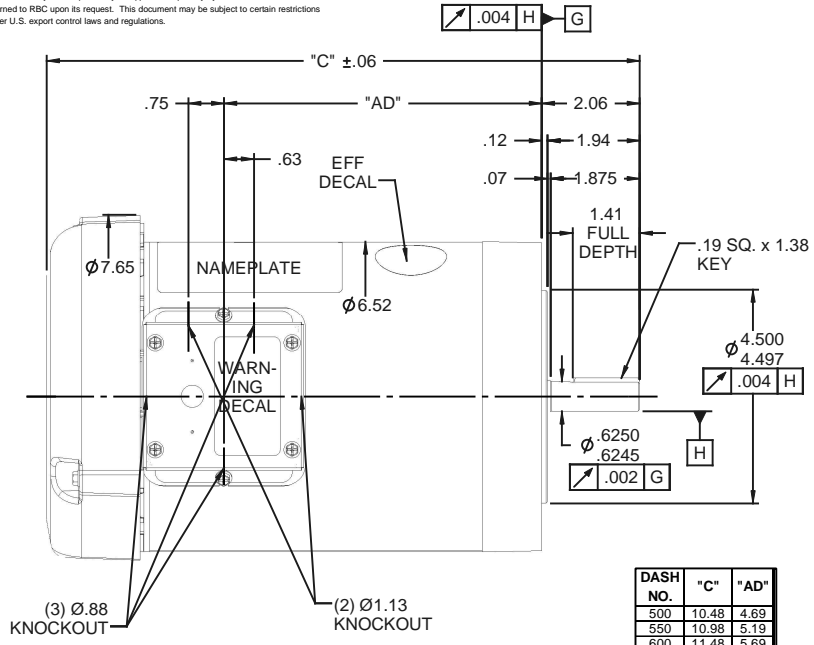


RBC PROPRIETARY AND CONFIDENTIAL INFORMATION
 This document is the property of REGAL BELOIT CORPORATION ("RBC") including its subsidiaries and divisions and contains proprietary information of RBC. This document is loaned on the express condition that neither it nor the information contained therein shall be disclosed to others without the express written consent of RBC, and that the information shall be used by the recipient only as approved expressly by RBC. This document shall be returned to RBC upon its request. This document may be subject to certain restrictions under U.S. export control laws and regulations.



(4) 3/8-16 UNC-2B x .56 DP.
 ON A Ø5.875 B.C.

(3) Ø.88 KNOCKOUT
 (2) Ø1.13 KNOCKOUT

DASH NO.	"C"	"AD"
500	10.48	4.69
550	10.98	5.19
600	11.48	5.69
625	11.73	5.94
650	11.98	6.19
700	12.48	6.69
750	12.98	7.19
800	13.48	7.69

NOTE:
 1) GASKETS THROUGHOUT

		TOLERANCES UNLESS SPECIFIED		LEESON	ELECTRIC MOTORS GEARMOTORS AND DRIVES	DRAWN KMM 08/01/07	
		DEC	INCHES			CHK	APPR
03	ADDED ITEMS #750 (116743), #800 (116744)	GRB 9/8/2008	RVD .xx ±.03	TITLE OUTLINE - 56C FRAME TEFC - "C" FACE		SCALE 3:8	
02	ADDED DASH #625 (110125) PER ISAAC:08-1939	VS 7/23/08	.xxx ±.005			REF 028505.00	
01	REVISED DECAL REPRESENTATION	JJK 3/27/2008	.xxxx ±.0005	MATL		FMF 110451.00	
NO	REVISION	BY & DATE	CHK ANG ±1/2°	FINISH GENERAL PURPOSE		PAGE OF	
THIRD ANGLE PROJECTION			RFP	PREV	SIZE A	DRAWING NO 028776	REV 03
				NETWORK FILE NAME 028776			