

31112

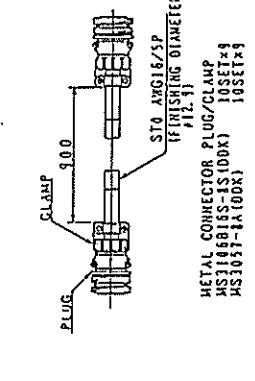
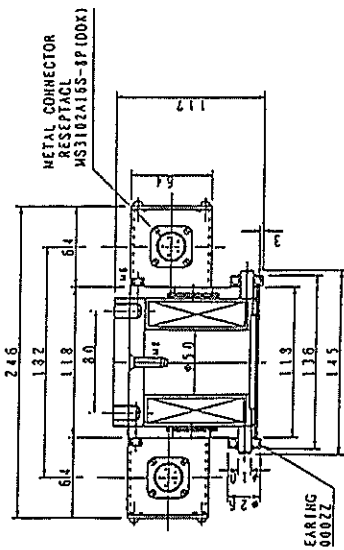
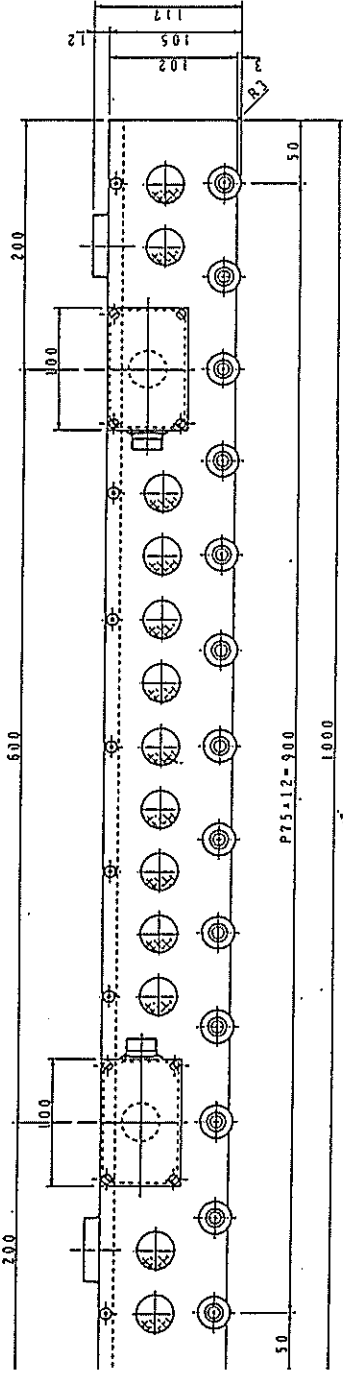
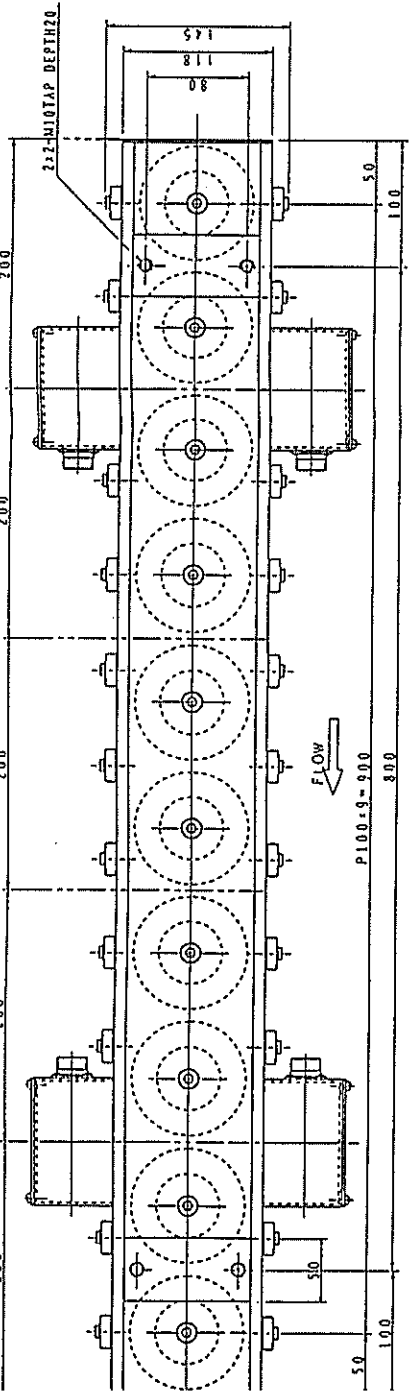
DC80V/1.4A
BLOCK
200

DC80V/1.4A
BLOCK
200

DC80V/1.4A
BLOCK
200

DC80V/1.4A
BLOCK
200

DC80V/1.4A
BLOCK
200



MANUFACTURE SPECIFICATIONS
 ELECTRIC CAPACITY DC80V/7.0A (1RA1L)
 COOL/ABOUT 500W
 ELECTRIC POWER TYPE B
 INSULATION SYSTEM TYPE B
 INSULATION RESISTANCE COIL 1MΩ
 INSULATION PROOF STRESS AC1500V/1min
 RATING CABLE 100X6S
 WIRING CABLE ST0 AWG16/5P
 * STANDARD ROUND COIL

METAL CONNECTOR RECEPTACLE (100X)
MS3102A165-4P100X 3SETX10

METAL CONNECTOR PLUG/CLAMP (112.5)
MS3106165-1S100X 3SETX10

ST0 AWG16/5P 100-FITTING (112.5)

No.	BLOCK NO.	METAL CONNECTOR	PIN NO.
B-1	101	PIN NO.3 P101	PIN NO.3 P102
B-2	102	PIN NO.3 P104	PIN NO.3 P105
B-3	103	PIN NO.2 N101	PIN NO.2 N102
C-1	106	PIN NO.3 P106	PIN NO.3 P107
C-2	107	PIN NO.3 P109	PIN NO.3 P110
C-3	108	PIN NO.3 N106	PIN NO.3 N107
D-1	111	PIN NO.3 P111	PIN NO.3 P112
D-2	112	PIN NO.3 P114	PIN NO.3 P115
D-3	113	PIN NO.2 N111	PIN NO.2 N112
E-1	117	PIN NO.3 P116	PIN NO.3 P117
E-2	118	PIN NO.3 N116	PIN NO.3 N117
E-3	120	PIN NO.2 N119	PIN NO.2 N120
F-1	122	PIN NO.3 P121	PIN NO.3 P122
F-2	123	PIN NO.2 N121	PIN NO.2 N122
F-3	124	PIN NO.3 P131	PIN NO.3 P132
B-4	131	PIN NO.3 P131	PIN NO.3 P132
B-5	132	PIN NO.3 P134	PIN NO.3 P135
B-6	133	PIN NO.3 N131	PIN NO.3 N132
C-4	136	PIN NO.3 P136	PIN NO.3 P137
C-5	137	PIN NO.3 P139	PIN NO.3 P140
C-6	138	PIN NO.2 N136	PIN NO.2 N137
D-4	142	PIN NO.3 P141	PIN NO.3 P142
D-5	143	PIN NO.3 N141	PIN NO.3 N142
D-6	144	PIN NO.3 P144	PIN NO.3 P145
E-4	146	PIN NO.3 P146	PIN NO.3 P147
E-5	147	PIN NO.3 P149	PIN NO.3 P150
E-6	148	PIN NO.3 N146	PIN NO.3 N147
F-4	151	PIN NO.3 P151	PIN NO.3 P152
F-5	152	PIN NO.3 P154	PIN NO.3 P155
F-6	153	PIN NO.3 N151	PIN NO.3 N152
J-1	201	PIN NO.3 P201	PIN NO.3 P202
J-2	201	PIN NO.3 N201	PIN NO.3 N202
J-3	201	PIN NO.3 P204	PIN NO.3 P205
J-4	201	PIN NO.3 N204	PIN NO.3 N205
J-5	201	PIN NO.3 P206	PIN NO.3 P207
J-6	201	PIN NO.3 N206	PIN NO.3 N207
K-1	211	PIN NO.3 P211	PIN NO.3 P212
K-2	211	PIN NO.3 N211	PIN NO.3 N212
K-3	211	PIN NO.3 P214	PIN NO.3 P215
L-1	216	PIN NO.3 P216	PIN NO.3 P217
L-2	216	PIN NO.3 N216	PIN NO.3 N217
L-3	216	PIN NO.3 P219	PIN NO.3 P220
M-1	221	PIN NO.3 P221	PIN NO.3 P222
M-2	221	PIN NO.3 N221	PIN NO.3 N222
M-3	221	PIN NO.3 P224	PIN NO.3 P225
M-4	221	PIN NO.3 N224	PIN NO.3 N225

RAIL NO. B, C, D, E, F, I, J, K, L, M1-6

11617-1-03	50	FOR CHRYSLER MOTORS MEXICO PILER MAGNET ELECTRO MAGNET RAIL ECP-RN-1000-58	KOMATSU LTD. 19PL218
DATE	REV.	DESCRIPTION	APPROVED
28.MAR.95	1/3	REVISED	
DESIGNED BY	CHECKED BY	APPROVED BY	
SAKASHI	YAMAMOTO	SAKASHI	
PRODUCT NAME	MATERIAL	REMARKS	

029-3-008160

SAKASHI KINZOKU KOGYO CO., LTD.