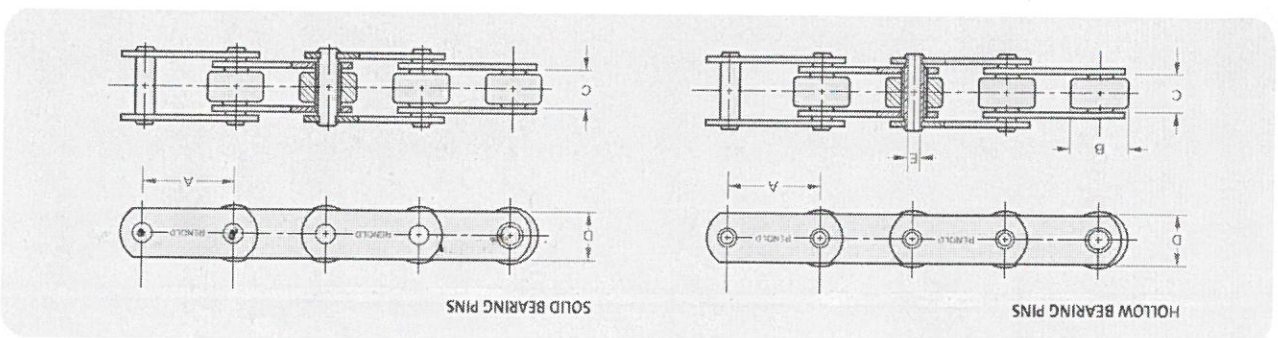


# Palm Oil Industry



Chain Ref.	Pitch		Breaking Load		Roller Dia		Inside Width		Plate Depth		Hollow Pin Bore Dia		Pin/Bush Bearing Area		Mass kg/m
	inch	mm	lbf	Newtons	inch	mm	inch	mm	inch	mm	inch	mm	sq inch	sq mm	
545161	4.0	101.6	18000	80000	1.875	47.6	0.75	19.0	1.50	38.1	-	-	0.94	603	6.43
545141	4.0	101.6	26000	116000	1.875	47.6	0.75	19.0	1.50	38.1	-	-	0.94	603	6.43
545162	4.0	101.6	36000	160000	2.625	66.7	1.00	25.4	2.00	50.8	-	-	1.75	1128	14.22
545242	6.0	152.4	44000	196000	3.500	88.9	1.50	38.1	2.40	61.0	-	-	2.88	1856	24.15

Chain Ref.	Pitch		Breaking Load		Roller Dia		Inside Width		Plate Depth		Hollow Pin Bore Dia		Pin/Bush Bearing Area		Mass kg/m
	inch	mm	lbf	Newtons	inch	mm	inch	mm	inch	mm	inch	mm	sq inch	sq mm	
505161	4.0	101.6	26000	116000	1.875	47.6	0.75	19.0	1.50	38.1	-	-	0.94	603	6.43
505242	6.0	152.4	26000	116000	2.625	66.7	1.00	25.4	2.00	50.8	-	-	1.75	1128	14.22
505243	6.0	152.4	44000	196000	3.500	88.9	1.50	38.1	2.40	61.0	-	-	2.88	1856	24.15

Chain Ref.	Pitch		Breaking Load		Roller Dia		Inside Width		Plate Depth		Hollow Pin Bore Dia		Pin/Bush Bearing Area		Mass kg/m
	inch	mm	lbf	Newtons	inch	mm	inch	mm	inch	mm	inch	mm	sq inch	sq mm	
445161	4.0	101.6	26000	116000	1.875	47.6	0.75	19.0	1.50	38.1	-	-	0.94	603	6.43
445162	4.0	101.6	50000	222000	2.625	66.7	1.00	25.4	2.00	50.8	-	-	1.75	1128	14.22
445242	6.0	152.4	50000	222000	2.625	66.7	1.00	25.4	2.00	50.8	-	-	1.75	1128	14.22

Chain Ref.	Pitch		Breaking Load		Roller Dia		Inside Width		Plate Depth		Hollow Pin Bore Dia		Pin/Bush Bearing Area		Mass kg/m
	inch	mm	lbf	Newtons	inch	mm	inch	mm	inch	mm	inch	mm	sq inch	sq mm	
402161	4.0	101.6	24000	107000	1.875	47.6	0.75	19.0	1.50	38.1	-	-	0.94	603	6.43
402242	6.0	152.4	24000	107000	2.625	66.7	1.00	25.4	2.00	50.8	-	-	1.75	1128	14.22

For standard range of K attachments see page 14.