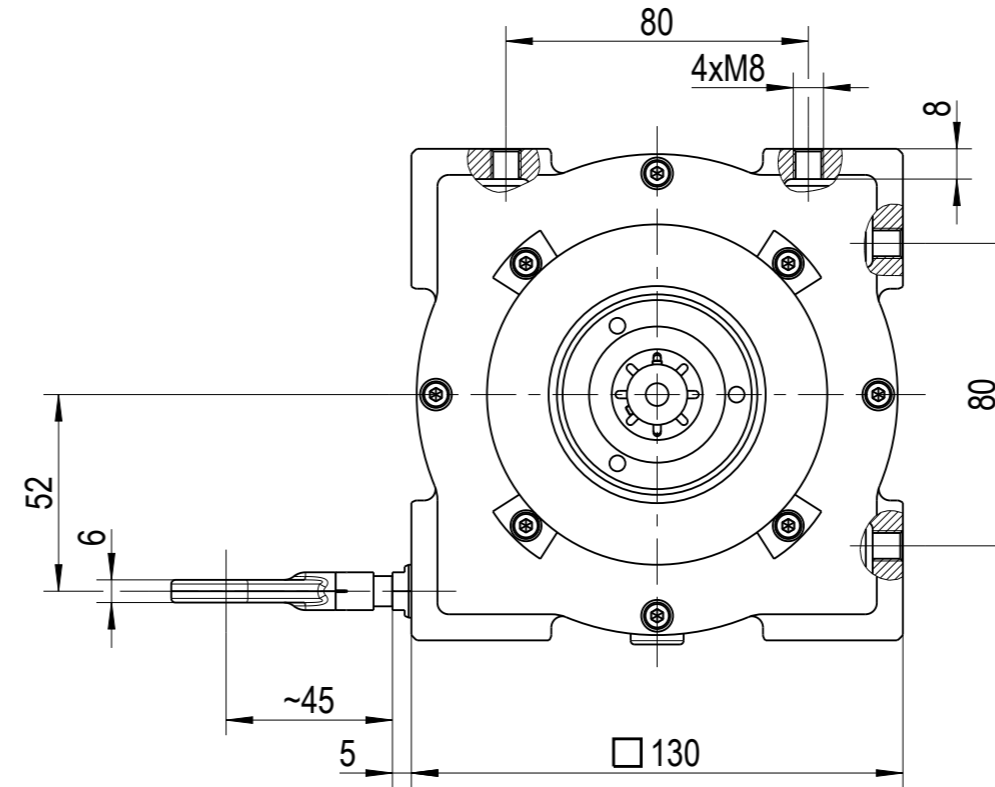
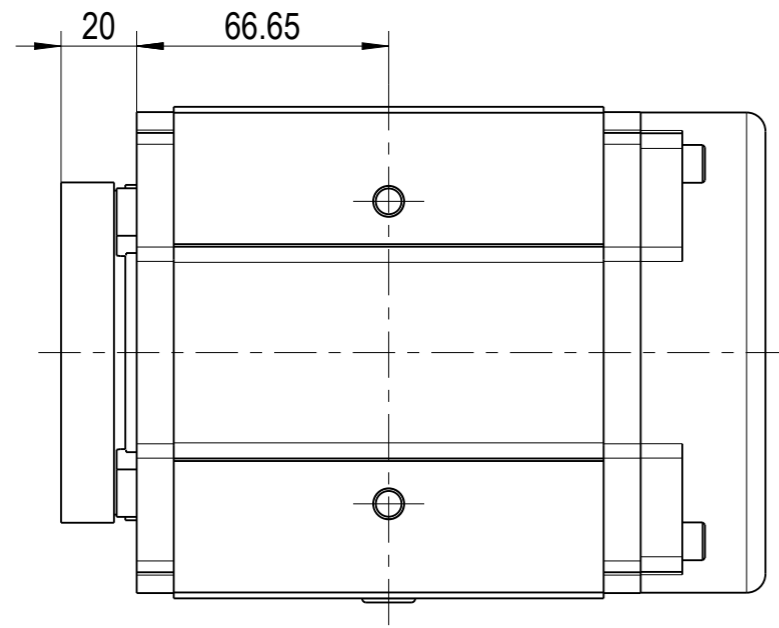


rope length transmitter of series SL3000 - type: SL3010-X1/GS130/K-01

FSG Fernsteuergeräte
Mess- und Regeltechnik GmbH
D-15712 Königs-Wusterhausen
OT Kablov, Mühlenweg 2-3



technical details:

measuring range : 0 - 10000mm
max. pull-off length : 10200mm
casing material : aluminium anodized
spring casing : plastic (Noryl black)

wire diameter : \varnothing 1,35mm (high-grade steel 1.4401)
circumference of drum : 327,68mm
measuring accuracy : $\pm 0,05\%$

spring return : 1 spring cartridge
-initial force : 15N
-ultimate power : 21N

temperature range : $-30^{\circ}\text{C} \dots +70^{\circ}\text{C}$
max. adjustment speed : 4 m/sec.
lifetime (*) : 1 mio. cycle
protection class : IP 64
weight : approx. 3,5kg

(*) correspond to the application

applicable for adding
the encoders with:

- clamp flange $\varnothing 50_{h7}$
- 3x M4 on pitch circle diameter 42
- shaft $\varnothing 6_{h7}$, Length 10mm
- shipment inclusive coupling

