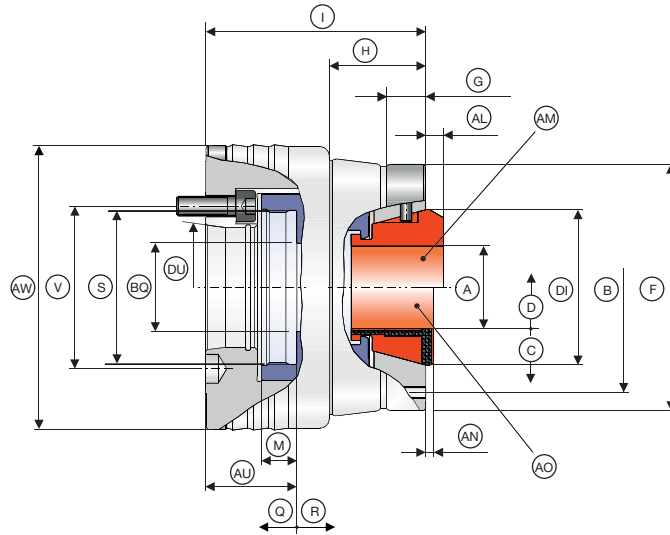




SPANNTOP nova modular size 32. Technical data



Size	32		
Variant	Modular		
Spindle nose	DU	A2-4	A2-5
Concentricity [mm]			0,010
Max. radial clamping force [kN]			70
Max. axial drawtube force [kN]			25
RPM n max. [1/min.]			8000
Clamping range [mm]	A		4 – 32
Release stroke in Ø [mm]	C		0,6
Reserve stroke in Ø [mm]	D		1
Range / recommended workpiece tolerance [mm]			± 0,5
Ø Capacity [mm]	BQ		34
Location front end-stop	F		Ø 75 f7
Centering length [mm]	G		14
Bolt hole circle end-stop	B		LK Ø 67 [3 x M4]
Length [mm]	H		45
Total length [mm]	I		107
Connecting thread inside	S		M55 x 1,5
Depth of thread [mm]	M		18
Position in clamped position [mm]	AU		48
Reserve stroke axial [mm]	Q		2,5
Release stroke axial [mm]	R		3
Clamping head serrated	AM		SK 32 BZI
Clamping head protrusion length serrated [mm]	AL		6
Clamping head smooth	AO		SK 32 BZIG
Clamping head protrusion length smooth [mm]	AN		3
Head Ø [mm]	DI		58
Bolt hole circle	V	LK Ø 82,6 [3 x M10]	LK Ø 104,8 [6 x M10]
Outer Ø [mm]	AW	115	135
Weight [kg]		5	6
In stock		✓	✓
Order no.		2701/0001	2701/0002

Machine spindle standard DIN 55026
Total length can be extended via flange.

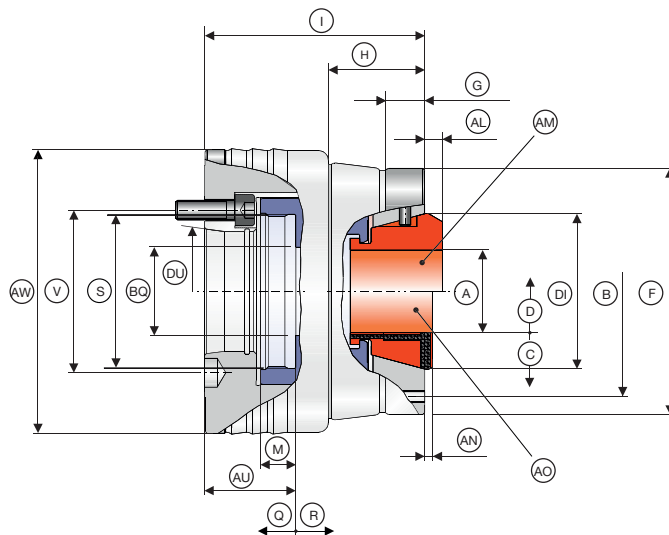


STANDARD CHUCKS

SPANNTOP nova chuck



SPANNTOP nova modular size 42. Technical data



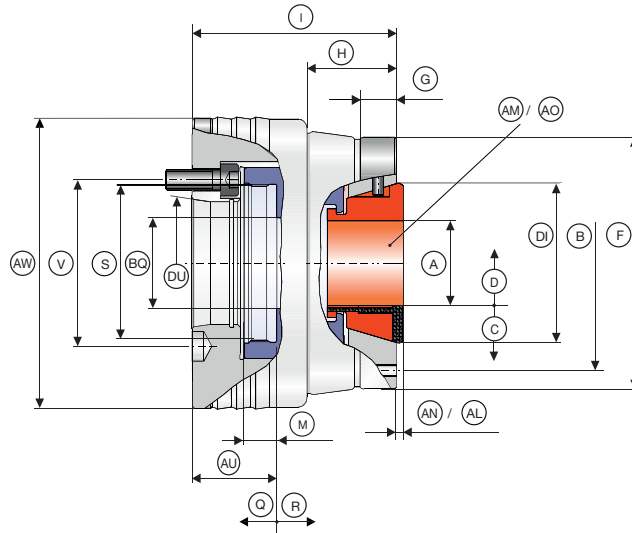
Size	42				
Variant	Modular				
Spindle nose	DU	A2-5	A2-6	AP120	AP140
Concentricity [mm]				0,010	
Max. radial clamping force [kN]				80	
Max. axial drawtube force [kN]				35	
RPM n max. [1/min.]				7000	
Clamping range [mm]	A			4 – 42	
Release stroke in Ø [mm]	C			0,6	
Reserve stroke in Ø [mm]	D			1	
Range / recommended workpiece tolerance [mm]				± 0,5	
Ø Capacity [mm]	BQ			45	
Location front end-stop	F			Ø 125 f7	
Centering length [mm]	G			17	
Bolt hole circle end-stop	B			LK Ø 107 [3 x M6]	
Length [mm]	H			49	
Total length [mm]	I	112			105
Connecting thread inside	S			M78 x 1,5	
Depth of thread [mm]	M			18	
Position in clamped position [mm]	AU	46,5			39,5
Reserve stroke axial [mm]	Q			2	
Release stroke axial [mm]	R			2,5	
Clamping head serrated	AM			SK 42 BZI	
Clamping head protrusion length serrated [mm]	AL			9	
Clamping head smooth	AO			SK 42 BZIG	
Clamping head protrusion length smooth [mm]	AN			4	
Head Ø [mm]	DI			80	
Bolt hole circle	V	LK Ø 104,8 [6 x M10]	LK Ø 133,4 [6 x M12]		LK Ø 104,8 [6 x M10]
Outer Ø [mm]	AW	144	165	144	150
Weight [kg]		9	11		9
In stock		✓	✓	✓	✓
Order no.		2701/0003	2701/0004	2701/0013	2701/0014

Machine spindle standard DIN 55026
Total length can be extended via flange.

Clamping heads Page 368	Changing fixtures Page 419	Front end-stop blanks Page 412	Adaptations I.D. clamping Page 268	Face driver Page 320



SPANNTOP nova modular size 52. Technical data



Size	52				
Variant	Modular				
Spindle nose	DU	A2-5	A2-6	AP120	AP140
Concentricity [mm]				0,010	
Max. radial clamping force [kN]				94	
Max. axial drawtube force [kN]				40	
RPM n max. [1/min.]				7000	
Clamping range [mm]	A			4 – 52	
Release stroke in Ø [mm]	C			0,6	
Reserve stroke in Ø [mm]	D			1	
Range / recommended workpiece tolerance [mm]				± 0,5	
Ø Capacity [mm]	BQ			53	
Location front end-stop	F			Ø 125 f7	
Centering length [mm]	G			17	
Bolt hole circle end-stop	B			LK Ø 107 [3 x M6]	
Length [mm]	H			49	
Total length [mm]	I	112			105
Connecting thread inside	S			M78 x 1,5	
Depth of thread [mm]	M			16	
Position in clamped position [mm]	AU	44,5			37,5
Reserve stroke axial [mm]	Q			2	
Release stroke axial [mm]	R			2,5	
Clamping head serrated	AM			SK 52 BZI	
Clamping head protrusion length serrated [mm]	AL			4	
Clamping head smooth	AO			SK 52 BZIG	
Clamping head protrusion length smooth [mm]	AN			4	
Head Ø [mm]	DI			80	
Bolt hole circle	V	LK Ø 104,8 [6 x M10]	LK Ø 133,4 [6 x M12]		LK Ø 104,8 [6 x M10]
Outer Ø [mm]	AW	144	165	144	150
Weight [kg]		9	11		9
In stock		✓	✓	✓	✓
Order no.		2701/0005	2701/0006	2701/0015	2701/0016

Machine spindle standard DIN 55026
Total length can be extended via flange.

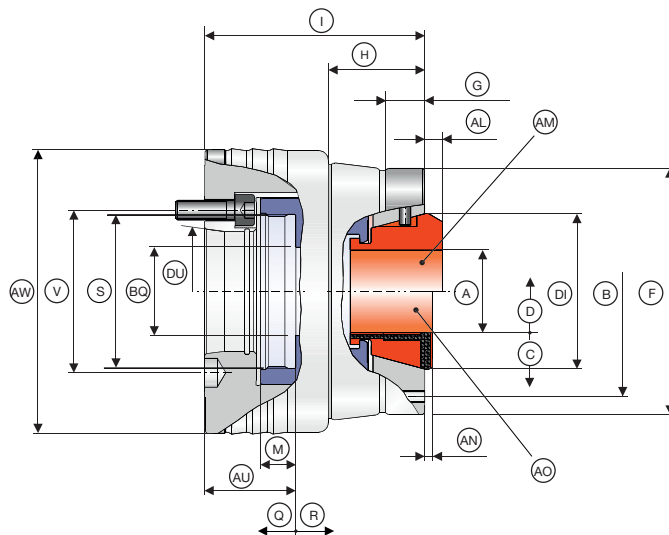
Clamping heads	Changing fixtures	Front end-stop blanks	Adaptations I.D. clamping	Face driver
Page 368	Page 419	Page 412	Page 268	Page 320

STANDARD CHUCKS

SPANNTOP nova chuck



SPANNTOP nova modular size 65. Technical data



Size	65						
Variant	Modular						
Spindle nose	DU	A2-5	A2-6	A2-8	AP120	AP140	AP170
Concentricity [mm]					0,010		
Max. radial clamping force [kN]					105		
Max. axial drawtube force [kN]					45		
RPM n max. [1/min.]					6000		
Clamping range [mm]	A				4 – 65		
Release stroke in Ø [mm]	C				0,6		
Reserve stroke in Ø [mm]	D				1		
Range / recommended workpiece tolerance [mm]					± 0,5		
Ø Capacity [mm]	BQ				66		
Location front end-stop	F				Ø 145 f7		
Centering length [mm]	G				17		
Bolt hole circle end-stop	B				LK Ø 126 [3 x M6]		
Length [mm]	H				56		
Total length [mm]	I	121	120	121	110		105
Connecting thread inside	S	M78 x 1,5	M95 x 1,5		M78 x 1,5		
Depth of thread [mm]	M	18	25		18		
Position in clamped position [mm]	AU	49,5	42,5	49,5	40,5	38,5	33,5
Reserve stroke axial [mm]	Q				2		
Release stroke axial [mm]	R				2,5		
Clamping head serrated	AM				SK 65 BZI		
Clamping head protrusion length serrated [mm]	AL				9		
Clamping head smooth	AO				SK 65 BZIG		
Clamping head protrusion length smooth [mm]	AN				4		
Head Ø [mm]	DI				99,5		
Bolt hole circle	V	LK Ø 104,8 [6 x M10]	LK Ø 133,4 [6 x M12]	LK Ø 171,4 [6 x M16]	LK Ø 104,8 [6 x M10]		LK Ø 133,4 [6 x M12]
Outer Ø [mm]	AW	160	165	210	160		184
Weight [kg]		12		17	11		12,5
In stock		✓	✓	✓	✓	✓	✓
Order no.		2701/0007	2701/0008	2701/0009	2701/0017	2701/0018	2701/0019

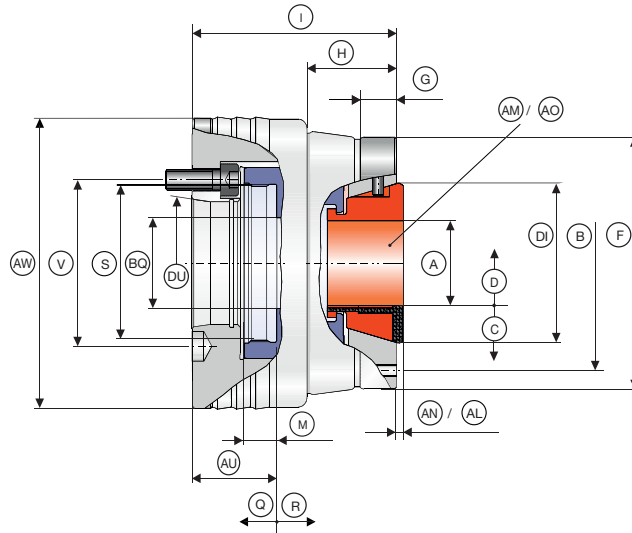
Machine spindle standard DIN 55026

Total length can be extended via flange.

Clamping heads	Changing fixtures	Front end-stop blanks	Adaptations I.D. clamping	Adaptations jaw clamping	Face driver
Page 368	Page 419	Page 412	Page 268	Page 314	Page 320



SPANNTOP nova modular size 80. Technical data



Size	80			
Variant	Modular			
Spindle nose	DU	A2-6	A2-8	AP220
Concentricity [mm]			0,010	
Max. radial clamping force [kN]			115	
Max. axial drawtube force [kN]			50	
RPM n max. [1/min.]			5500	
Clamping range [mm]	A		5 – 80	
Release stroke in Ø [mm]	C		0,6	
Reserve stroke in Ø [mm]	D		1	
Range / recommended workpiece tolerance [mm]			± 0,5	
Ø Capacity [mm]	BQ		81	
Location front end-stop	F		Ø 160 f7	
Centering length [mm]	G		17	
Bolt hole circle end-stop	B		LK Ø 139 [3 x M6]	
Length [mm]	H		56	
Total length [mm]	I	125	130	138
Connecting thread inside	S		M112 x 1,5	
Depth of thread [mm]	M		25	
Position in clamped position [mm]	AU	48	53	61
Reserve stroke axial [mm]	Q		2	
Release stroke axial [mm]	R		2,5	
Clamping head serrated	AM		SK 80 BZI	
Clamping head protrusion length serrated [mm]	AL		4	
Clamping head smooth	AO		SK 80 BZIG	
Clamping head protrusion length smooth [mm]	AN		4	
Head Ø [mm]	DI		115	
Bolt hole circle	V	LK Ø 133,4 [6 x M12]		LK Ø 171,4 [6 x M16]
Outer Ø [mm]	AW	180	210	235
Weight [kg]		14	19	27
In stock		✓	✓	✓
Order no.		2701/0010	2701/0011	2701/0020

Machine spindle standard DIN 55026
Total length can be extended via flange.

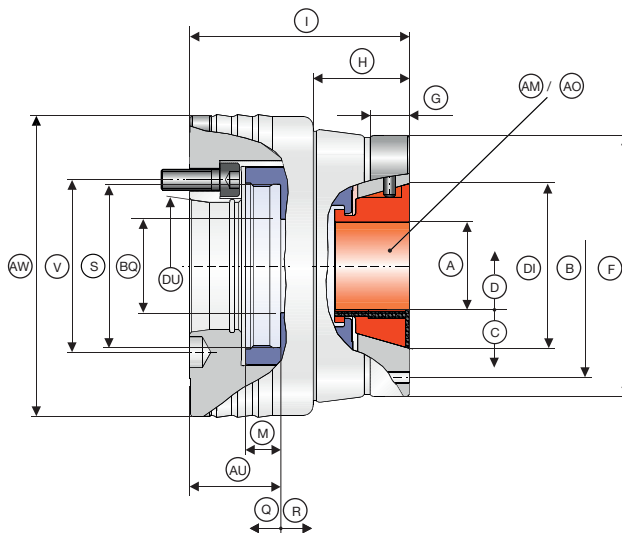
Clamping heads Page 368	Changing fixtures Page 419	Front end-stop blanks Page 412	Adaptations I.D. clamping Page 268	Adaptations jaw clamping Page 314	Face driver Page 320

STANDARD CHUCKS

SPANNTOP nova chuck



SPANNTOP nova modular size 100. Technical data



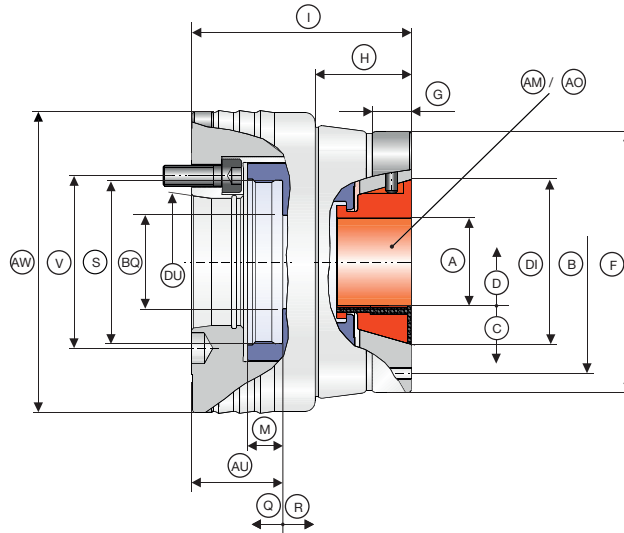
Size	100				
Variant	Modular				
Spindle nose	DU	A2-8	A2-11	AP170	AP220
Concentricity [mm]				0,015	
Max. radial clamping force [kN]				150	
Max. axial drawtube force [kN]				65	
RPM n max. [1/min.]				5000	
Clamping range [mm]	A			15 – 100	
Release stroke in Ø [mm]	C			2	
Reserve stroke in Ø [mm]	D			1,5	
Range / recommended workpiece tolerance [mm]				± 1,0	
Ø Capacity [mm]	BQ			104,5	
Location front end-stop	F			Ø 215 f7	
Centering length [mm]	G			20	
Bolt hole circle end-stop	B			LK Ø 180 [3 x M8]	
Length [mm]	H			68,5	
Total length [mm]	I	149	155		149
Connecting thread inside	S			M150 x 1,5	
Depth of thread [mm]	M			30	
Position in clamped position [mm]	AU	60	66		60
Reserve stroke axial [mm]	Q			3	
Release stroke axial [mm]	R			5	
Clamping head serrated	AM			SK 100 BZ	
Clamping head smooth	AO			SK 100 BZG	
Head Ø [mm]	DI			144,5	
Bolt hole circle	V	LK Ø 171,4 [6 x M16]	LK Ø 235 [6 x M20]	LK Ø 133,4 [6 x M12]	LK Ø 171,4 [6 x M16]
Outer Ø [mm]	AW	235	280	235	240
Weight [kg]		29	39	32	31
In stock		✓	✓	✓	✓
Order no.		2701/0012	2701/0023	2701/0021	2701/0022

Machine spindle standard DIN 55026
Total length can be extended via flange.





SPANNTOP nova modular size 125. Technical data



Size	125					
Variant	Modular					
Spindle nose	DU	A2-6	A2-8	A2-11	AP170	AP220
Concentricity [mm]				0,020		
Max. radial clamping force [kN]				165		
Max. axial drawtube force [kN]				70		
RPM n max. [1/min.]				3200		
Clamping range [mm]	A			25 – 125		
Release stroke in Ø [mm]	C			2,5		
Reserve stroke in Ø [mm]	D			2,5		
Range / recommended workpiece tolerance [mm]				± 1,0		
Ø Capacity [mm]	BQ			130		
Location front end-stop	F			Ø 221,5 f7		
Centering length [mm]	G			20		
Bolt hole circle end-stop	B			LK Ø 202,8 [6 x M8]		
Length [mm]	H			82		
Total length [mm]	I		178			177
Connecting thread inside	S			M142 x 1,5		
Depth of thread [mm]	M			25		
Position in clamped position [mm]	AU		59			58
Reserve stroke axial [mm]	Q			5		
Release stroke axial [mm]	R			6		
Clamping head serrated	AM			SK 125 BZ		
Clamping head smooth	AO			SK 125 BZG		
Head Ø [mm]	DI			193		
Bolt hole circle	V	LK Ø 133,4 [6 x M12]	LK Ø 171,4 [6 x M16]	LK Ø 235 [6 x M20]	LK Ø 133,4 [6 x M12]	LK Ø 171,4 [6 x M6]
Outer Ø [mm]	AW	270		280	270	
Weight [kg]		44		43	44	43
In stock		-		-	-	-
Order no.		2701/0043	2701/0044	2701/0045	2701/0046	2701/0047

Machine spindle standard DIN 55026
Total length can be extended via flange.

