



SOUTHERN CALIFORNIA HYDRAULIC ENGINEERING CORPORATION

DESIGNERS AND MANUFACTURERS OF HYDRAULIC & PNEUMATIC EQUIPMENT

1130 COLUMBIA STREET BREA, CALIFORNIA 92821

NON-LUBE PUMP ASSEMBLY 10-6000S030 THRU S100

LUBE PUMP ASSEMBLY 10-6000S030L THRU S100L

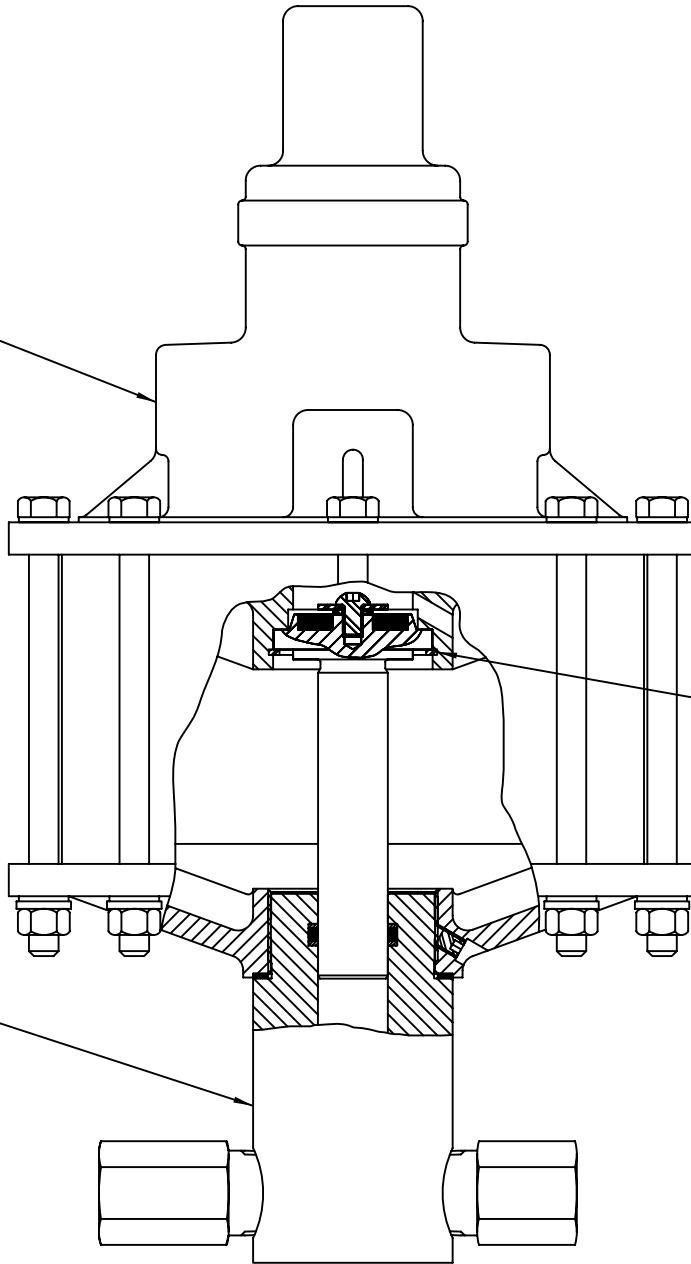
REV: A, 08/05/13

(NOTE: PIN 10-6000S030 THRU S100 WAS D6000S55 THRU S180)

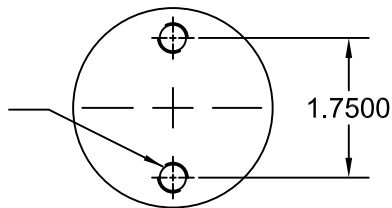
AIR MOTOR ASSEMBLY
11-6094ADL0 FOR NON-LUBE PUMP
11-6094A000 FOR LUBE PUMP

RETAINING RING
12-R200S000 (REF)

HYDRAULIC ASSEMBLY
11-6010S030
11-6010S050
11-6010S080
11-6010S100



3/8-24 X 3/4 DEEP



MOUNTING DIMENSIONS



SOUTHERN CALIFORNIA HYDRAULIC ENGINEERING CORPORATION

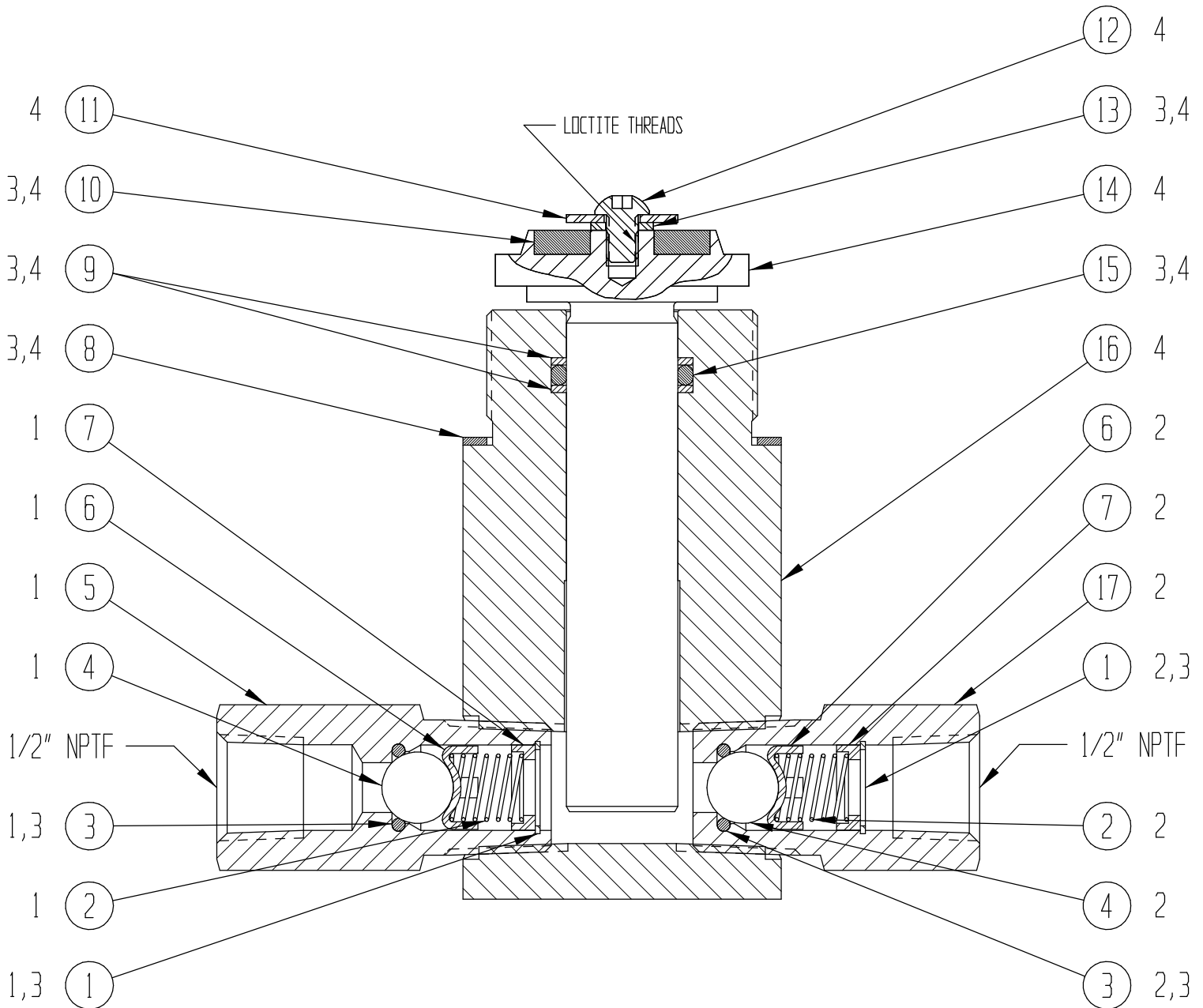
DESIGNERS AND MANUFACTURERS OF HYDRAULIC & PNEUMATIC EQUIPMENT

1130 COLUMBIA STREET BREA, CALIFORNIA 92821

FORM 11-60010S030-100 REV 07/17/01

HYDRAULIC ASSEMBLY 11-6010S030 THRU S100

FOR PUMP ASSEMBLY 10-6000S030 THRU S100



4 INCLUDED IN 11-6011SXXX PISTON & CYLINDER ASSEMBLY

3 INCLUDED IN 11-6099NXXX HYDRAULIC REPAIR KIT

2 INCLUDED IN 11-5023S000 OUTLET CHECK VALVE ASSEMBLY

1 INCLUDED IN 11-5024S000 INLET CHECK VALVE ASSEMBLY

* REPRESENTS PUMP ASSEMBLY RATIO NUMBER
EXAMPLE: 11-6099N030 = HYDRAULIC REPAIR
KIT FOR 10-6000S030 PUMP



SOUTHERN CALIFORNIA HYDRAULIC ENGINEERING CORPORATION

DESIGNERS AND MANUFACTURERS OF HYDRAULIC & PNEUMATIC EQUIPMENT

1130 COLUMBIA STREET BREA, CALIFORNIA 92821 - (714) 257-4800 - FAX (714) 257-4810 WWW.SCHYDRAULIC.COM

BILL OF MATERIALS FILE: 10-550-010.XLS					DRAWING NUMBER & DESCRIPTION: 11-6010S030 THRU S100 HYDRAULIC ASSEMBLY			
11-6010					REVISION: 07/17/01			
S030	S050	S080	S100	ITEM NO	QTY	PART NO	DESCRIPTION	REFERENCE NO
•	•	•	•	1	2	P10202-068	RETAINING RING	12-R068S000
•	•	•	•	2	2	11-5013S000	SPRING	10-450-13
•	•	•	•	3	2	P11003-112	O-RING	12-6227N010S
•	•	•	•	4	2	12-0440S562	CHECK BALL	
•	•	•	•	5	1	11-5019S000	SEAT-INLET	10-450-19
•	•	•	•	6	2	11-5034S002	BALL GUIDE	10-450-34-2
•	•	•	•	7	2	11-5017S000	SPRING GUIDE	10-450-17
•	•	•	•	8	1	11-5028N000	GASKET	10-450-28
•				9	2	P11227-212	BACK UP	12-8774T017
	•			9	2	P11227-115	BACK UP	12-8774T013
		•		9	2	P11227-113	BACK UP	12-8774T011
			•	9	2	P11227-112	BACK UP	12-8774T010
•	•	•	•	10	1	11-5051P000	PISTON BUMPER	10-450-51
•	•	•	•	11	1	12-25N87WF1Z	FENDER WASHER	
•	•	•	•	12	1	12-25F37SBC45Z	BUTTON HEAD CAP SCREW	
•	•	•	•	13	1	P10212-025	HELICAL SPRING LOCK WASHER	12-5001C407
•				14	1	11-6008S030	HYDRAULIC PISTON	10-550-8-3
	•			14	1	11-6008S050	HYDRAULIC PISTON	10-550-8-5
		•		14	1	11-6008S080	HYDRAULIC PISTON	10-550-8-8
			•	14	1	11-6008S100	HYDRAULIC PISTON	10-550-8-10
•				15	1	P11000-212	O-RING	12-6227N017
	•			15	1	P11000-115	O-RING	12-6227N013
		•		15	1	P11000-113	O-RING	12-6227N011
			•	15	1	P11000-112	O-RING	12-6227N010
•				16	1	11-6009S030	HYDRAULIC CYLINDER	10-550-9-3
	•			16	1	11-6009S050	HYDRAULIC CYLINDER	10-550-9-5
		•		16	1	11-6009S080	HYDRAULIC CYLINDER	10-550-9-8
			•	16	1	11-6009S100	HYDRAULIC CYLINDER	10-550-9-10
•	•	•	•	17	1	11-5020S000	SEAT-OUTLET	10-450-20

Where Used 10-6000S030-S100
Pump Assemblies