



The point charging bar R23ATR is used wherever target-specific electrostatic charges need to be applied even at high temperatures. For instance in edge trim adhesion in flat film production. Using the point charging bars R23ATR, both outer edge zones of the film are fixed directly downstream from the flat film extrusion die to prevent neck-in.

The point charging bar R23ATR can be operated with one, two or three emission tips. The tips are interchangeable. The geometry of the tips is adjustable depending on application. This means that the point charging bar R23ATR may be used horizontally or vertically even in confined spaces.

## Technical Information



F00028y

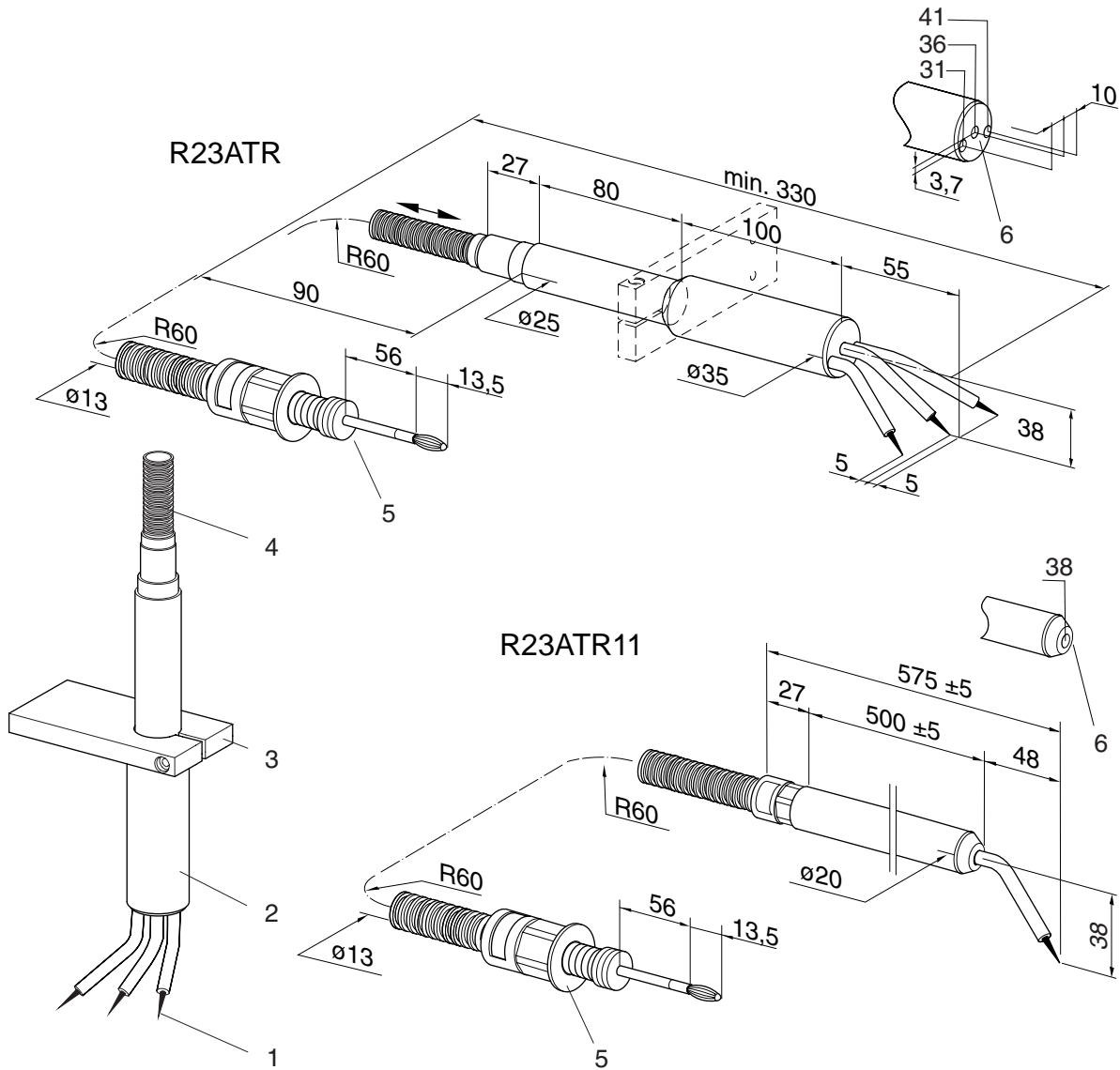
## R23ATR Point Charging Bar

TI-en-3021-0804



electrostatic  
innovations

## Overview and dimensions



- 1 Emission tip
- 2 Base element PU
- 3 GRP holder for installation
- 4 High voltage cable with flexible tubing
- 5 Detachable cable gland for connecting to high voltage generator KNH34 / KNH35 (accessories: not supplied)
- 6 Hole diagram and mounting depth of the tips

z00485y



**electrostatic  
innovations**

## Design options of the charging bar

### R23ATR0

Point charging bar without emission tip, tips must be ordered separately

### R23ATR1

Point charging bar with 1 emission tip 100294

### R23ATR2

Point charging bar with 2 emission tips 100294

### R23ATR3

Point charging bar with 3 emission tips 100294

### R23ATR11

Slim point charging bar with 1 emission tip 100294

## Technical specifications

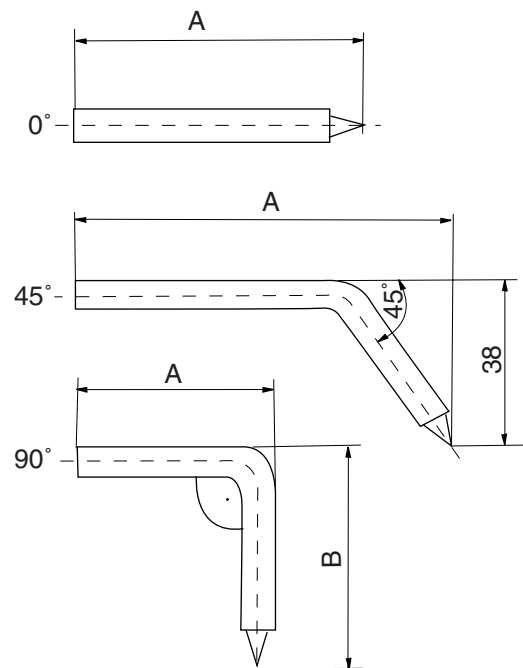
Electrode element	PU, UL 94 V-0
Emission tips	R23ATR: max. 3 emission tips R23ATR11: 1 emission tip exchangeable, adjustable, with insulating coating, current limited
Ambient operating temperature	0...+120°C (+32...+248°F) in emission tip area 0...+70°C (+32...+158°F) on electrode element
Dimensions	see figure
Operating voltage	30 kV DC max.
High voltage power supply	via Eltex high voltage generators series KNH34 and KNH35
High voltage cable	prefabricated, exchangeable high voltage cable in plastic tubing with connector for charging bar and high voltage generator, high voltage cable must be ordered separately, specify cable length and power supply



electrostatic  
innovations

## Overview emission tips

Angle	A (mm)	B (mm)	Article no.
0°	150	-	100293
45°	76	38	100292
45°	86	38	100294
45°	96	38	100291
45°	128	38	103418
45°	186	38	100301
45°	240	38	100296
45°	250	38	100295
45°	355	38	103500
90°	50	43	100297
90°	60	43	106320
90°	66	43	106615
90°	60	62	107854
90°	70	43	106321
90°	76	43	106616
90°	86	43	106617
90°	197	140	100298
90°	207	43	104038
90°	207	140	100299
90°	217	140	100300



z00486y



**electrostatic  
innovations**

Eltex-Elektrostatik-Gesellschaft mbH  
Blauenstraße 67-69, D-79576 Weil am Rhein

Phone +49 (0) 76 21/ 79 05 - 230

Fax +49 (0) 76 21/ 79 05 - 330

eMail [static-control@eltex.com](mailto:static-control@eltex.com)

Internet [www.eltex.com](http://www.eltex.com)