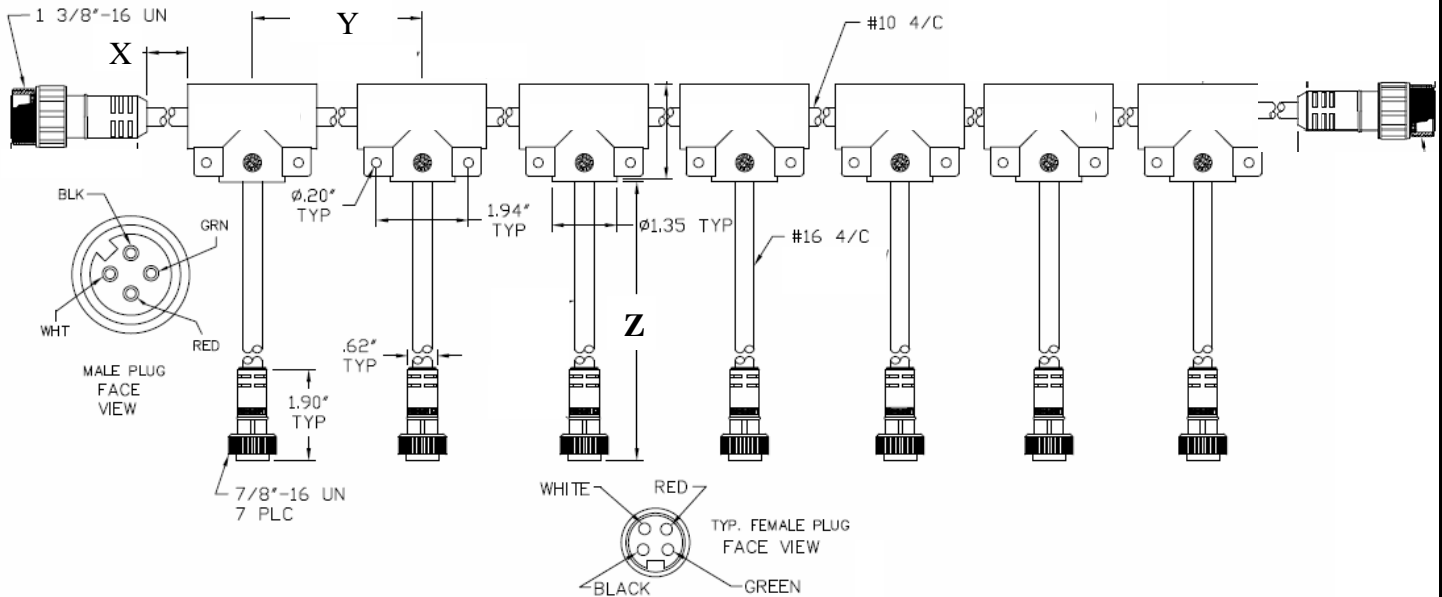


SOFT TEE CABLE ASSEMBLY




Details:

- Configurable bus eliminates connectors
- 4 Conductor 25 amp cable
- Reduced drop connector sizes
- IP 68 protection
- Shielded Trunk and Drop Cables

SPECIFY NO. OF DROPS (FAR RIGHT COLUMN) WHEN ORDERING PART NO.

FLOW P/N	MFG P/N	X DIM	Y DIM	Z DIM	# OF DROPS
A-23547-1	CHANGE OUT/CHANGE OUT/MINI 4 POLE	30"	10.5"	48"	7
A-23547-2	CHANGE OUT/CHANGE OUT/MINI 4 POLE	30"	10.5"	48"	13
A-23547-3	CHANGE OUT/CHANGE OUT/MINI 4 POLE	30"	10.5"	48"	15
A-23547-4	CHANGE OUT/CHANGE OUT/MINI 4 POLE	30"	10.5"	1.55M	7
A-23547-5	CHANGE OUT/CHANGE OUT/MINI 4 POLE	30"	10.5"	1.55M	13
A-23547-6	CHANGE OUT/CHANGE OUT/MINI 4 POLE	30"	10.5"	1.55M	15
A-23547-7	CHANGE OUT/CHANGE OUT/MINI 4 POLE	30"	10.5"	1.55M	9
A-23547-8	CHANGE OUT/CHANGE OUT/MINI 4 POLE	30"	10.5"	1.55M	11

MANUFACTURER: HARTING OR EQUIVALENT		MANUF NO: SEE TABLE			
DISTRIBUTOR: NEFF ENGINEERING		DIST. NO.:			
		TITLE: CORDSET;SPLITTER;4 P			
		PREPARED BY: D.ZENTLER	ENGINEER: J. BIGGS	REV: D	UOM: EA