

**IP26 Series Current to Pneumatic Converter**



*The IP26 (current to pressure) transducer converts a 4–20mA electrical current signal to a proportional linear pneumatic output. The unique conversion technology provides a high level of accuracy and repeatability for the operation of actuated valves. A low mass control circuit provides consistent output in high vibration applications. This compact unit is housed in an explosion proof enclosure that is designed for pipe, bracket or direct manifold mounting. This explosion-proof and intrinsically safe field device is available with a built-in volume booster.*

**FEATURES**

- 4 to 20 mA, 2-wire Loop powered
- Compact design, small size and low weight
- Approvals Intrinsically Safe and Explosion Proof ATEX, FM and CSA certification
- Gas and Dust certification
- Position insensitive – Unit can be mounted in any plane and is stable in high vibration environments
- Low power consumption minimize loop load



*Equipment should be installed, operated, serviced, and maintained only by qualified personnel.  
No responsibility is assumed by Schneider Electric for any consequences arising from the use of this material.*

## SPECIFICATIONS

### Functional Specifications

<b>Input</b>	4-20 mA
<b>Outputs</b> (to be selected in Model Code)	0.2 -1 bar (3 - 15 psig)  0.1 -1.7 bar (1.5 - 25 psig)  0.4 -2 bar (6 - 30 psig) Outputs with pressure up to 6 bar (90 psi) can be obtained by adding a volume booster with amplifying ratio – Please consult us !
<b>Air Consumption</b>	2.83 l/min (0.1 scfm)
<b>Supply Pressure</b>  <b>Note: Supply pressure must be a minimum of 0.3 bar (5 psig) above maximum output</b>	0.2 -1 bar: 1.5 bar (22 psig) max  0.1 - 1.7 bar: 2.8 bar (42 psig) max  0.4 - 2 bar: 2.8 bar (42 psig) max
<b>Flow Capacity</b>	4.1 m <sup>3</sup> /h (2.4 scfm) max.
<b>Temperature Limits</b>	-40 °C to 85 °C (-40 °F to 185 °F) / down to -55 °C (-67 °F) with option -T
<b>Relative Humidity</b>	75% average - 95% short time non-condensing
<b>Impedance</b>	260 Ohms @ 21 °C (70 °F)
<b>Loop Load</b>	5.2 Volts @ 21 °C (70 °F)

### Performance Specifications

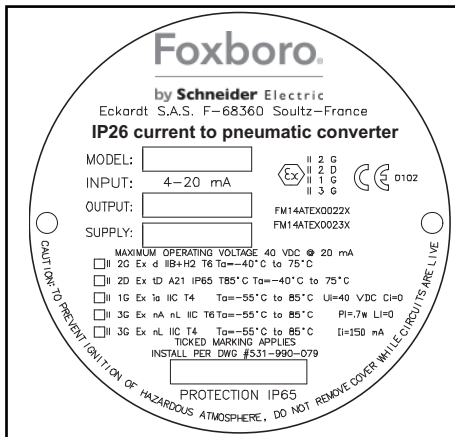
<b>Linearity (Independent)</b>	< ±0.5% of span
<b>Hysteresis</b>	< ±0.3% of span
<b>Deadband</b>	< ±0.1% of span
<b>Repeatability</b>	< ±0.3% of span; < ±0.15% of span typical
<b>Mounting Orientation</b>	< ±0.5% / 90 degree change
<b>Air Supply Sensitivity</b>	< 0.3% / 1.5 psig (0.10 bar) change
<b>Vibration Effect</b>	< ±1% up to 10 g and 20-80 Hz
<b>Temperature Effect</b>	< ±0.75% / 12 °C (/ 10 °F) change

### Physical Specifications

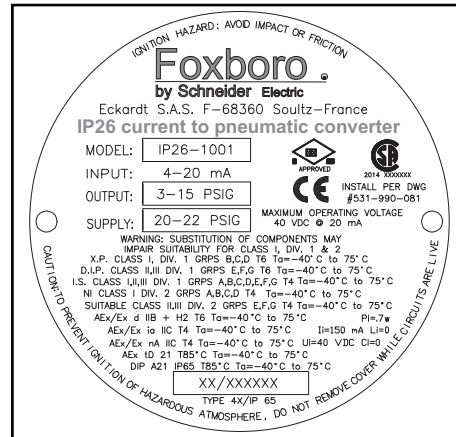
<b>Housing</b>	IP 65 (NEMA 4X)
<b>Port Sizes</b>	In/Out Pneumatic: 1/4" NPT; gauge part: 1/8" NPT  Electric: M20x1.5 (ATEX) / 1/2 NPT (FM / CSA)
<b>Media</b>	Clean, dry, oil-free, instrument air, filtered to 40 micron
<b>Electrical Connections</b>	Terminal block
<b>Mounting</b>	2" pipe (optional)
<b>Materials</b>	Housing: Chromate-treated Aluminum with epoxy paint. IP65 (NEMA 4X)  Elastomers: Buna-N  Trim: Stainless steel; brass; zinc-plated steel  Label: Stainless steel
<b>Weight</b>	0.64 kg (1.4 lb)

## HAZARDOUS AREA CLASSIFICATION

Cover label: ATEX



Cover label: FM / CSA



### ATEX Approvals

	Entity Parameters	Temperature Code	Enclosure	Certificate
Intrinsic Safety II 1 G Ex ia IIC	V <sub>max</sub> = 40 Vdc I <sub>max</sub> = 150 mA P <sub>i</sub> = 0.7 W C <sub>i</sub> = 0 nF L <sub>i</sub> = 0 mH	T* -55°C to T <sub>a</sub> max*	IP65	FM14ATEX0022 X
Flameproof II 2 G Ex d II B + H2 II 2 D Ex tD A21 T85°C	---	T6 -40°C ≤ T <sub>a</sub> ≤ +75°C	IP65	FM14ATEX0022 X
Limited Energy/Non-Sparking II 3 G Ex nL IIC II 3 G Ex nA nL IIC	---	T* -55°C to T <sub>a</sub> max* T6 -55°C T <sub>a</sub> +85°C	IP65	FM14ATEX0023 X

\*See energy limiting parameters. Refer to Master Instruction MI EVE0403.

Entity Parameters:

$$U_i (V_{max}) = 40 \text{ VDC} \quad C_i = 0 \mu\text{F}$$

$$I_i (I_{max}) = 150 \text{ mA} \quad L_i = 0 \text{ mH}$$

$$P_i = 0.7 \text{ W max.}$$

#### IP26-1a00 and I/P Converter for SRI983:

II 3 G Ex nL IIC T\* T<sub>a</sub> = -55°C to +85°C

A = Output Pressure Range: 0, 1, or 2

Energy Limitation Parameters

* Temperature Class	T <sub>a</sub>	I <sub>i</sub>	U <sub>i</sub>	P <sub>i</sub>
T4	85 °C	60 mA	38.8 V	2.328 W
T4	85 °C	100 mA	30 V	3.0 W
T4	80 °C	120 mA	28 V	3.36 W
T4	70 °C	150 mA	25.5 V	3.825 W
T5	70 °C	60 mA	38.8 V	2.328 W
T5	55 °C	100 mA	30 V	3.0 W
T5	45 °C	120 mA	28 V	3.36 W
T5	85 °C	23 mA	6.75 V	0.155 W
T6	60 °C	50 mA	42.5 V	2.125 W
T6	55 °C	60 mA	38.8 V	2.328 W

**FM Approvals (FM) & Canadian Standards Association (CSA) Approvals****Intrinsically Safe:**

Class I, Div. 1, Groups A, B, C & D  
Class II, Div. 1, Groups E, F & G  
Class III, Div. 1, Fibers  
Enclosure Nema 4X (IP65)  
Rated 4-20 mA, 40 VDC Max.  
Temp. Code T4 Ta = + 70°C

**Explosion Proof:**

Class I, Div. 1, Groups A, B, C, D  
Enclosure Nema 4X (IP65)  
Temp. Code T6

**Dust Ignition Proof:**

Class II & III, Div. 1, Groups E, F & G  
Enclosure Nema 4X (IP65)  
Temp. Code T6

**Non-Incendive:**

Class I, Div. 2, Groups A, B, C & D  
Class II, Div. 2, Groups E, F & G  
Class III, Div. 2, Fibers  
Enclosure Nema 4X (IP65)  
Temp. Code T6

**Entity Parameters:**

Vmax = 40 VDC Ci = 0 µF  
Imax = 150 mA Li = 0 mH

**Entity Installation Requirements:**

Vmax ≥ Vt OR Voc  
Imax ≥ It OR Isc  
Ca ≥ Ci + Ccable  
La ≥ Li + Lcable

Note: Cable capacitance and inductance must be considered when connecting to pressure transducer.

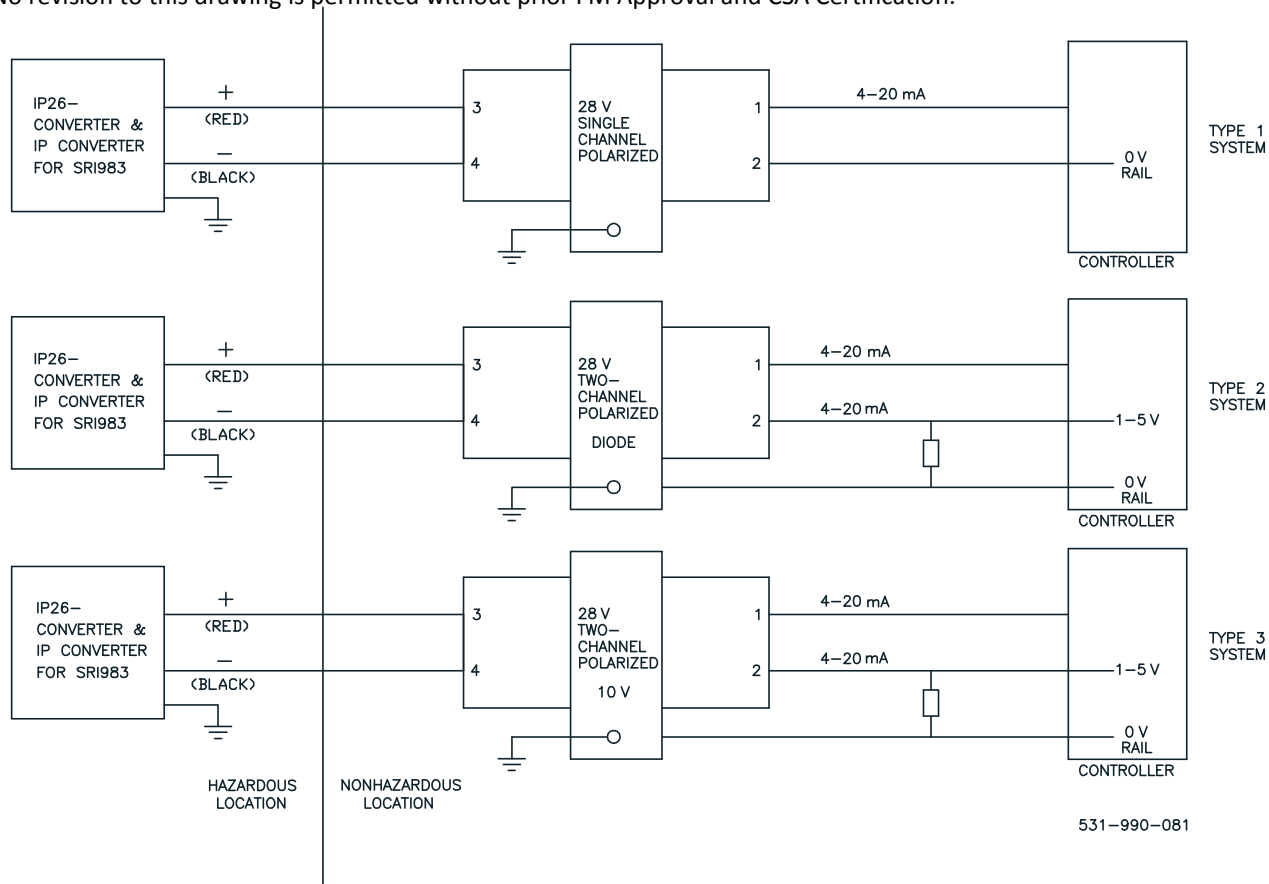
### INSTALLATION DRAWING NO. 531-990-081

- (North America) Control equipment connected to the Associated Apparatus must not use or generate more than 250 Vrms or Vdc.
- (North America) The IS Barriers or Equipment (Associated Apparatus) must be FM Approved and CSA certified and the configuration of associated Apparatus must be FM Approved and CSA certified under the Entity Concept. The Associated Apparatus may be installed within the Hazardous (Classified) location for which it is certified. The Associated Apparatus and hazardous location loop apparatus manufacturer's control drawings must be followed when installing this equipment. An AEx [ib] Associated Apparatus is suitable only for connection to Class I, Zone 1, Hazardous (Classified) Locations and is not suitable for Class I, Zone 0, or Class I, Division 1 Hazardous (Classified) Locations.  
(ATEX) The IS Barriers or other Associated Apparatus shall comply with the ATEX directive 94/9/EC.
- (US) Installation should be in accordance with ANSI/ISA RP12.06.01 "Installation of Intrinsically Safe Systems for Hazardous (Classified) Locations" and Article 500 of the National Electrical Code (ANSI/NFPA 70)  
(Canada) Installation should be in accordance with Section 18 of the Canadian Electrical Code.  
(ATEX) Installation shall be in accordance with the applicable local installation rules Energy Limitation Parameters specified.
- (North America) All units suitable for Type 4X installations.
- (North America) Units are suitable for Class I, Division 2, Groups A, B, C, and D hazardous (classified) locations. Transducers to be installed in accordance with the (US) National Electrical Code (ANSI/NFPA 70) Division 2 hazardous (classified) location wiring techniques  
(Canada) Canadian Electrical Code.
- The Intrinsic Safety Entity concept allows the interconnection of two Intrinsically safe devices with entity parameters not specifically examined in combination as a system when:

Entity Parameters for: IP26

- |                                  |  |
|----------------------------------|--|
| $U_i (V_{max}) = 40 \text{ V}$   | $U_i \text{ or } V_{max} > U_o \text{ or } V_{oc}$                 |
| $I_i (I_{max}) = 150 \text{ mA}$ | $I_i \text{ or } I_{max} > I_o \text{ or } I_{sc} \text{ or } I_t$ |
| $C_i = 0$                        | $C_a \text{ or } C_o > C_i + C_{cable}$                            |
| $L_i = 0$                        | $L_a \text{ or } L_o > L_i \div L_{cable}$                         |
| $P_i = 0.7 \text{ Watt}$         | $P_i > P_o.$   |

- No revision to this drawing is permitted without prior FM Approval and CSA Certification.



**MODEL CODES IP26**

<b>Electro/pneumatic Signal Converter</b>	IP26 -				
<b>Input Signal</b>					
4 - 20 mA		1			
<b>Output Signal</b> (without Output gauge)					
0.2 - 1 bar (3-15 psi)			0		
0.1 - 1.7 bar (1.5-25 psi)			1		
0.4 - 2 bar (6-30 psi)			2		
<b>Body Material</b>					
Aluminum				0	
Stainless Steel (not released)				1	
<b>Electrical Certification</b>					
ATEX Intrinsically Safe and Explosion Proof					0
FM & CSA, IS and XP					1
<b>Option</b>					
Low temperature down to -55°C (-67 °F)					-T

**MODEL CODES ACCESSORIES FOR IP26**

2 inch pipe mounting kit (steel zinc plate and clear chromate)	EBZG-IP1
Gauge for Output pressure (scale 0 - 2.5 bar) (stainless steel housing)	EBZG-IP2
Pipe for gauge mounting (stainless steel)	VG-92
Filter regulator FRS02 (Aluminum Housing)	FRS02
Pipe VG-91 (stainless steel)	VG-91
Cable Entry 1/2" NPT via adaptor (Brass Nickel coated)	AD-A5
Cable Entry 1/2" NPT via adaptor (Stainless steel)	AD-A6

**EC Declaration of Conformity**

We, FOXBORO ECKARDT GmbH  
 Stammheimer Str. 10  
 D-70806 Kornwestheim, Germany

declare that the IP26 Transducer family to which this declaration applies, comply with these standards:

EN 50082-1:1998

EN 55011:1999

EN 61010-1:1993 including AMD2:1995

Following the provisions of EMC directive 89/336/EEC

EN 60079-0:2006

EN 60079-11:2007

EN 60079-26:2007

EN 60079-1:2007

EN 61241-0:2007

EN 61241-1+Corr.1:2004/2005

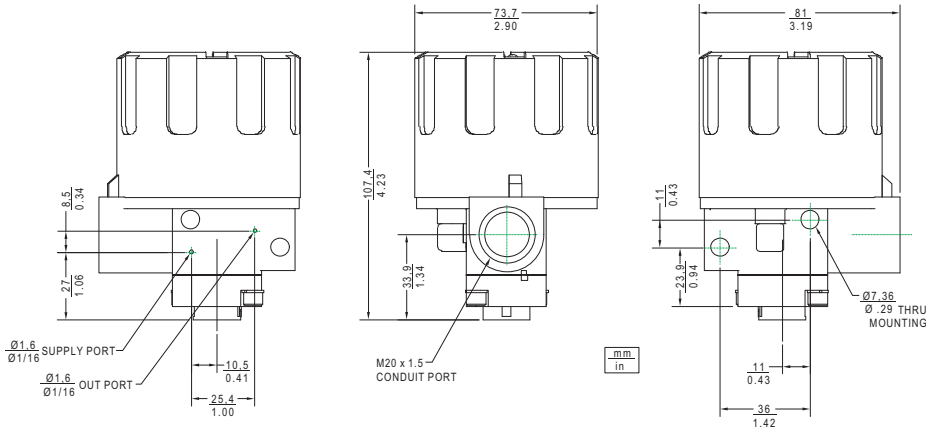
EN 60529+A1, A2:1992/2000

EN 60079-15:2005

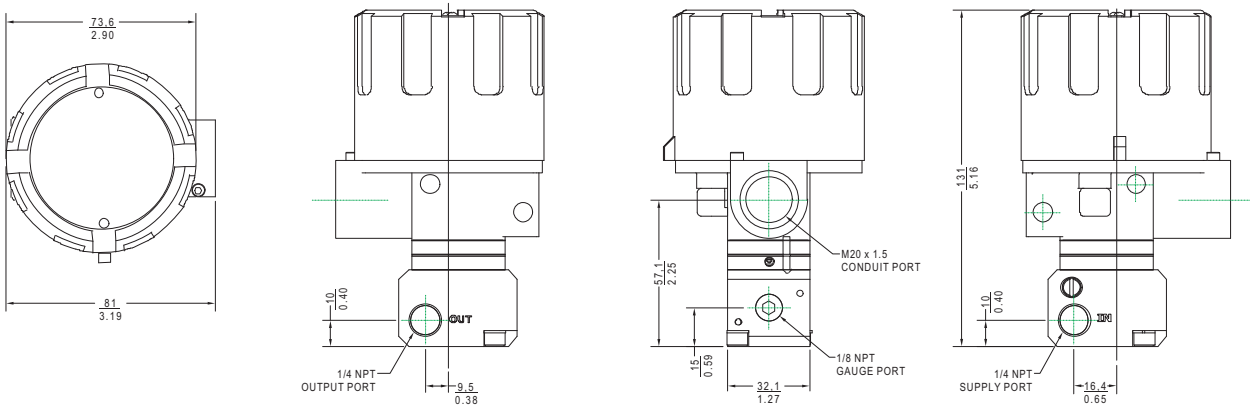
Following the provisions of EMC directive 94/9/EC

**DIMENSIONS**

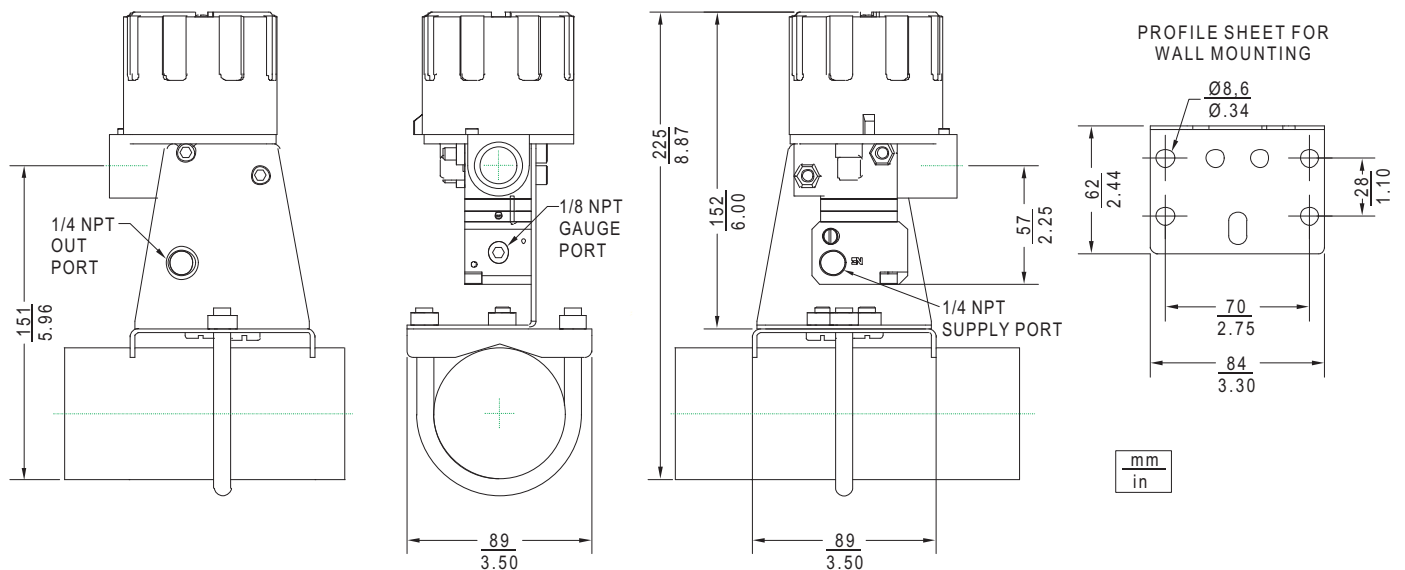
**I/P Converter for use with pneumatic positioner SRP981 / SRI983**



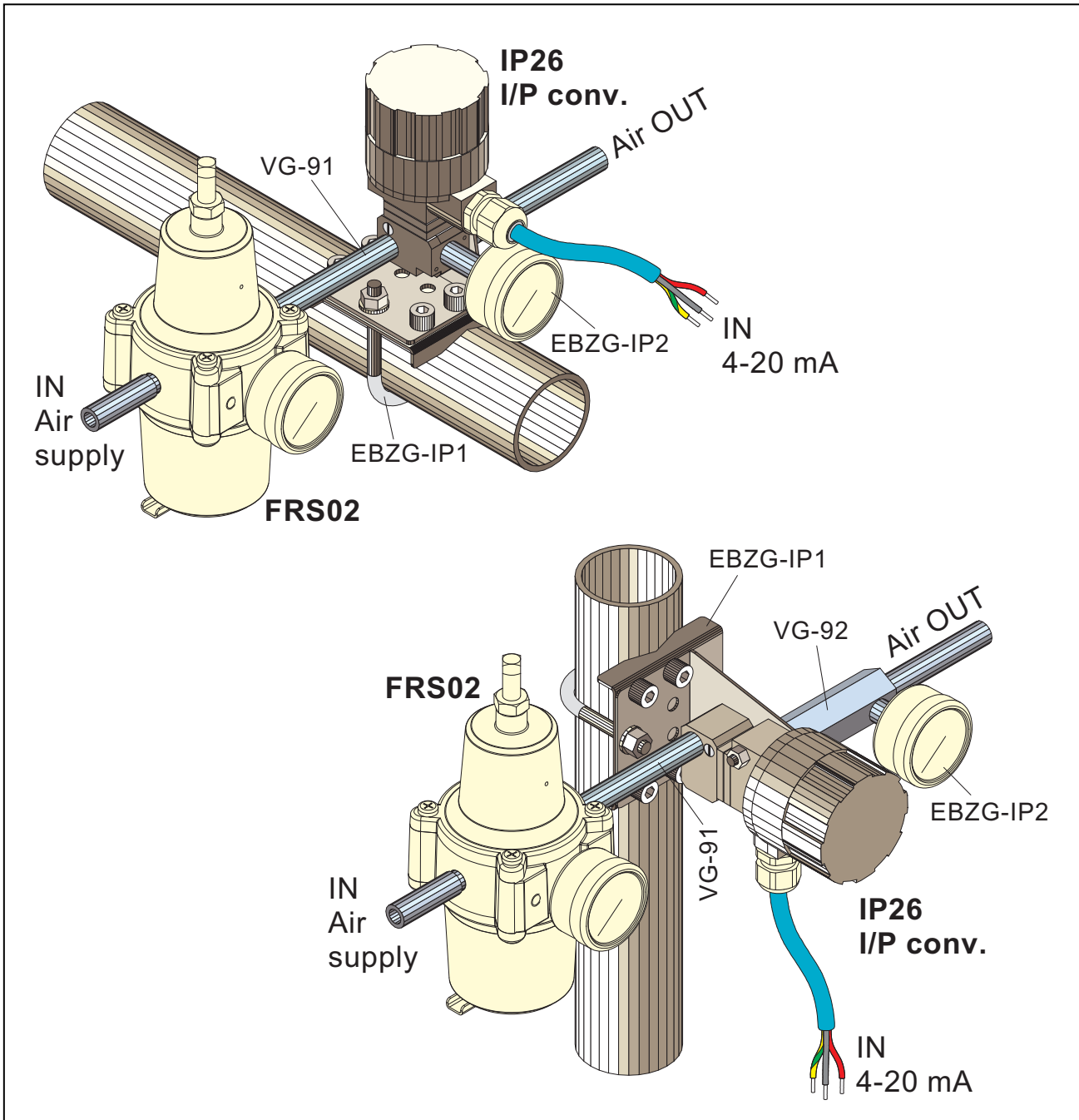
**IP26 Series Stand Alone I/P converter**



**Optional 50 mm / 2" Bracket, EBZG-IP1**



### EXAMPLES FOR MOUNTING



Schneider Electric Systems USA, Inc.  
38 Neponset Avenue  
Foxboro, MA 02035  
United States of America  
<http://www.schneider-electric.com>

Global Customer Support  
Inside U.S.: 1-866-746-6477  
Outside U.S.: 1-508-549-2424  
<https://pasupport.schneider-electric.com>

Copyright 2010-2018 Schneider Electric Systems USA, Inc. All rights reserved.

\*\*Schneider Electric is a trademark\*\* of Schneider Electric Systems USA, Inc., its subsidiaries, and affiliates. All other trademarks are the property of their respective owners.

**Schneider**  
Electric

DOKT 558 694 028 i.00  
FD-PSS-PO-06-EN

0818