

SST 01-10-046-080-05-H-1D1-0.5-J5**Industrial Light Curtain**

Industrial Light Curtains

Compatible Receivers:

SSR 01-4-046-080-05-H-1D1-0.5-J8

SSR 01-10-046-080-05-H-1D1-0.5-J8



| Product Data | |
|-----------------|----------------------------------|
| Channel Spacing | 5 mm |
| Function | Transmitter |
| Operation Mode | Thru Beam |
| Supply Voltage | 12 - 30 V dc |
| Connection | 0.5 m cable with 5 pin, M12 plug |
| Sensing Range | 10 m |
| Length | 460 mm |
| Active Height | 400 mm |
| Housing | 33 x 36 mm |

| Technical Data | |
|--------------------------------|----------------------------|
| Supply Voltage | 12 - 30 V dc |
| Reverse Polarity Protected | Yes |
| Current Consumption | 100 mA |
| Number of Channels | 80 |
| Number of Cross Scanning Beams | 238 |
| Number of Parallel Beams | 80 |
| Distance, Beams Pinch Point | 2,5 mm |
| Channel Spacing | 5 mm |
| Test Input | Yes |
| Power On Indicator | Green LED |
| Light Source | Infrared (880 nm) |
| Profile Dimensions (w x d) | 33 x 36 mm |
| Housing Material, Front Lens | Polycarbonate |
| Housing Material, Profile | Aluminium (black anodised) |
| Cable | 5 x 0,2 mm ² |
| Cable Sleeve | PVC Ø 5,9 mm |

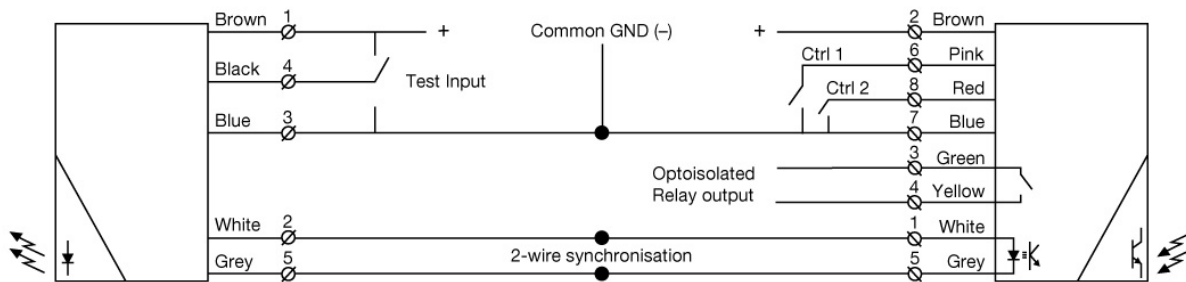
Environmental Data

| | |
|-----------------------|--------------------|
| Vibration | 10 - 55 Hz, 0,5 mm |
| Shock | 30 g |
| Operation Temperature | -30 to +60 °C |
| Storage Temperature | -40 to +80 °C |
| Sealing Class | IP 67 |

Approvals



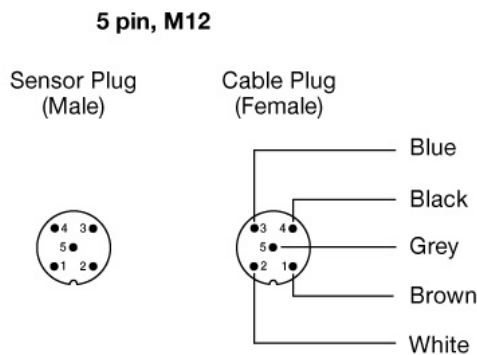
Wiring Diagram



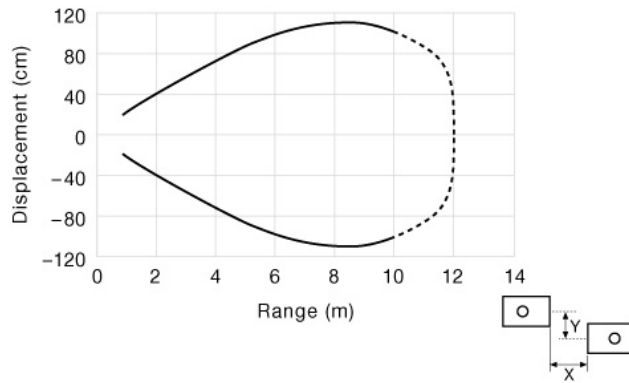
SST 01
Connect black test input wire to + or - to disable SST

SSR 01
Ctrl 1 Parallel or cross beams selection
Ctrl 2 Blanking function set-up

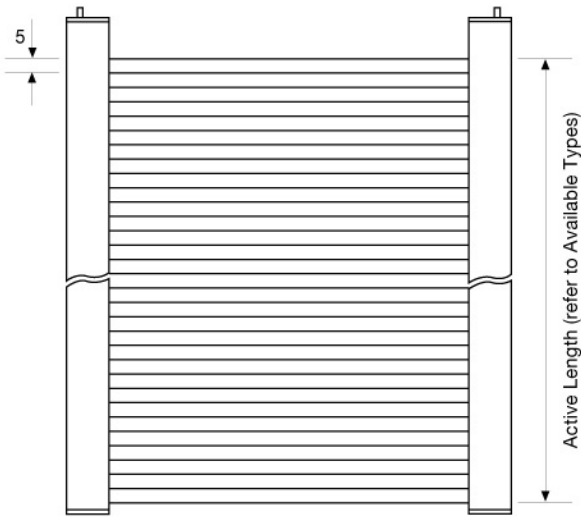
Connections



Parallel Displacement

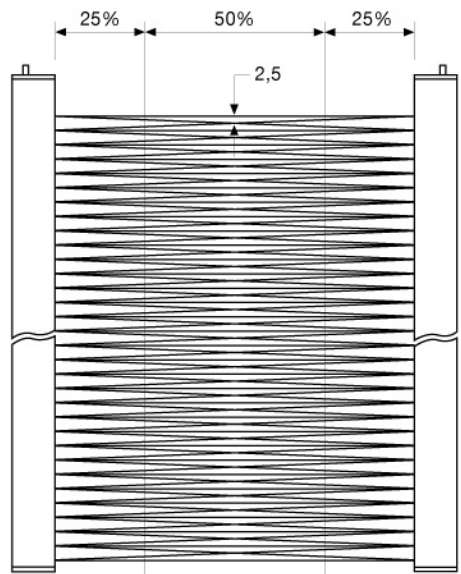


Beam Patterns



Parallel Beams

5 mm channel spacing



Cross Beams

Dimensions

