



DATA SHEET

Customer:	
Ref.:	
Order:	
Motor:	
Serial nr:	
Date:	09-01-2020

ASYNCHRONOUS MOTOR 4A 801-4

Nameplate data:

Code: 112220

Type:	4A 801-4			IP55	F/B	Amb. temp.: Max. 40°		
kW	Hz	V	A	Rpm	Cos	Eff.	Duty	IE.class
0,55	50	220-240 D	2,50	1390	0,75	71,0%	S1	IE1-(Eff2)
0,55	50	380-415 Y	1,44	1390	0,75	71,0%		
0,66	60	440-480 Y	1,50	1668	0,75	71,0%		

Description:

Mounting form:	B5
Bearing DE:	6204-2Z/C3
Bearing NDE:	6204-2Z/C3
Weight - Kg.:	10,3
Heater:	Heater 220V-240V
PTC:	PTC mounted
Kgm ² :	0,0018
Sound press.-db(A):	48,0

Other:

Test data S1-duty, Amb.temp 40°C:

Voltage - V:	400
Frequency - Hz:	50
Power - kW:	0,55
Full load speed - Rpm:	1390
Full load current - A:	1,44
Full load power factor - Cos:	0,75
Locked rotor current - A:	7,5
Locked rotor factor - A_{st}/A_n :	5,2

Efficiency 100% load - %:	71,0%
Efficiency 75% load - %:	
Efficiency 50% load - %:	
Full load torque - Nm:	3,8
Locked rotor torque - Nm:	8,7
Locked rotor torque - Nm_{st}/Nm_n :	2,3
Max. Pull out torque - Nm:	9,1
Max. Pull out torque. - Nm_{st}/Nm_n :	2,4

Over load/speed test	kW	Hz	V	A	Rpm
Over load 160% - 15sec.	0,88	50	400	2,30	1390
Over speed 125% - 2 min.	0,55	63	400	1,44	1738
H-Pot test voltage: 1800V	Temp. rise in stator:				

The motor is produced in accordance with following harmonized standards:
IEC60034-1, IEC60034-2, IEC60034-5, IEC60034-6, IEC60034-7, IEC60034-8, IEC60034-9
IEC60034-12, IEC60034-14, IEC60034-30, IEC60072.

Additional specifications in accordance with:
RINA - GL - LRS - BV - DNV - ABS - KR - RR - CCS - CCC - RMRS.

Bevi Group:

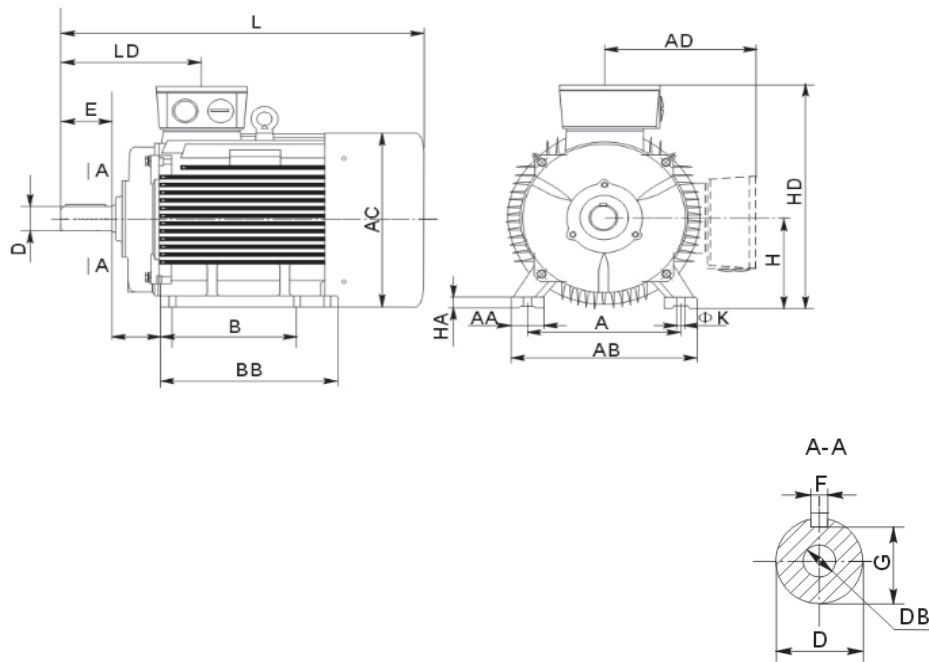
BEVI AB, Sweden	www.bevi.se	sales@bevi.se	+46 499 271 00
BEVI A/S, Denmark	www.bevi.dk	bevi@bevi.dk	+45 39 67 36 05
BEVI Norge A/S, Norway	www.bevi.no	info@bevi.no	+47 22 07 66 50
BEVI Finland OY AB, Finland	www.bevi.fi	info@bevi.fi	+358 9 2709 1210
BEVI CHINA, China	www.bevi.cn	sales@bevi.cn	+86 21 5032 5200



DATA SHEET

Customer:	
Ref.:	
Order:	
Motor:	
Serial nr:	
Date:	09-01-2020

Foot mounted motor 4A 801-4 B3



A: 125	HD: 215	E: 40
B: 100	C: 50	D: 19
AB: 165	H: 80	G: 15,5
AC: 175	K: 10	DB: M6
AD: 134	L: 293	F: 6
LD: 112	L (V1): 343	

Bevi Group:

BEVI AB, Sweden
 BEVI A/S, Denmark
 BEVI Norge A/S, Norway
 BEVI Finland OY AB, Finland
 BEVI CHINA, China

www.bevi.se
www.bevi.dk
www.bevi.no
www.bevi.fi
www.bevi.cn

sales@bevi.se
bevi@bevi.dk
info@bevi.no
info@bevi.fi
sales@bevi.cn

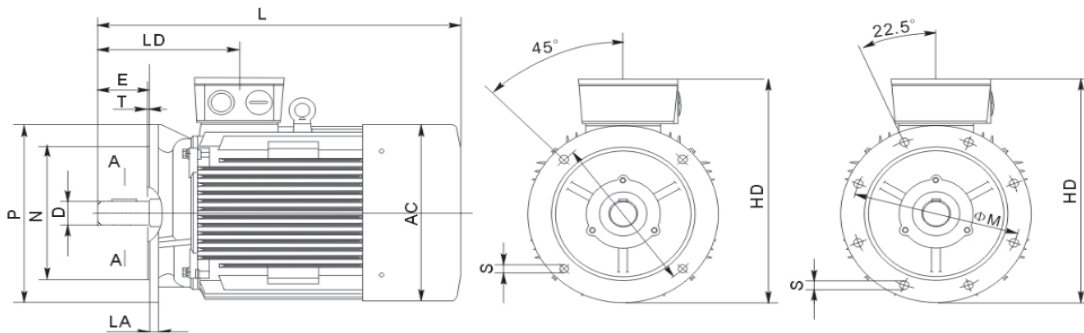
+46 499 271 00
 +45 39 67 36 05
 +47 22 07 66 50
 +358 9 2709 1210
 +86 21 5032 5200



DATA SHEET

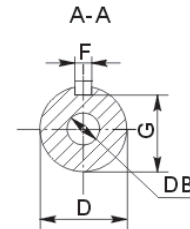
Customer:	
Ref.:	
Order:	
Motor:	
Serial nr:	
Date:	09-01-2020

Flange mounted motor 4A 801-4 B5



IEC 56-200

IEC 225-400



M: 165	HD: 215	E: 40
N: 130	L: 293	D: 19
P: 200	L (V1): 343	G: 15,5
S: 12	LD: 112	DB: M6
		F: 6

Bevi Group:

BEVI AB, Sweden
 BEVI A/S, Denmark
 BEVI Norge A/S, Norway
 BEVI Finland OY AB, Finland
 BEVI CHINA, China

www.bevi.se
 www.bevi.dk
 www.bevi.no
 www.bevi.fi
 www.bevi.cn

sales@bevi.se
 bevi@bevi.dk
 info@bevi.no
 info@bevi.fi
 sales@bevi.cn

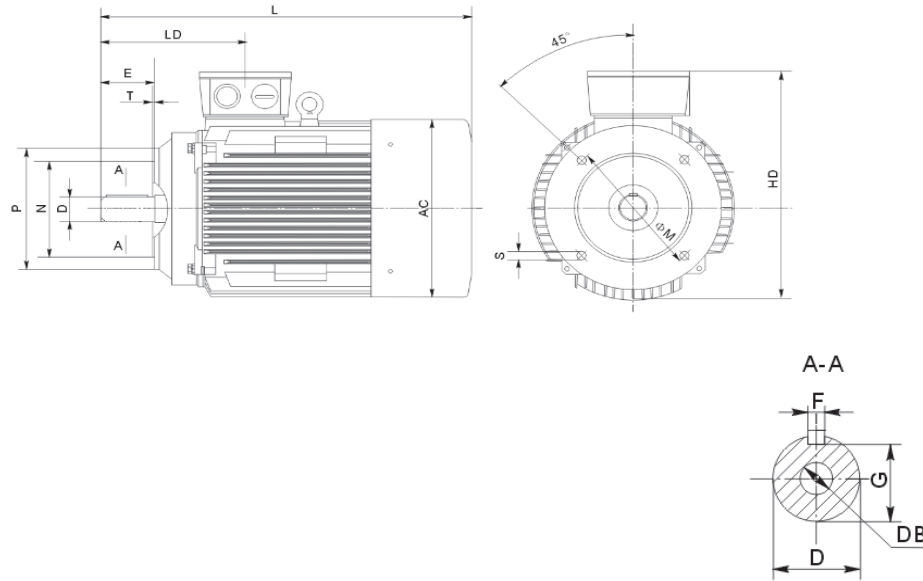
+46 499 271 00
 +45 39 67 36 05
 +47 22 07 66 50
 +358 9 2709 1210
 +86 21 5032 5200



DATA SHEET

Customer:	
Ref.:	
Order:	
Motor:	
Serial nr:	
Date:	09-01-2020

**Flange mounted motor
4A 801-4 B14A + (B14B)**



Flange type:	B14A	B14B		
M:	100	130	HD:	215
N:	80	110	L:	293
P:	120	160	L (V1):	343
S:	M6	M8	LD:	112
			E:	40
			D:	19
			G:	15,5
			DB:	M6
			F:	6

Bevi Group:

BEVI AB, Sweden
 BEVI A/S, Denmark
 BEVI Norge A/S, Norway
 BEVI Finland OY AB, Finland
 BEVI CHINA, China

www.bevi.se
 www.bevi.dk
 www.bevi.no
 www.bevi.fi
 www.bevi.cn

sales@bevi.se
 bevi@bevi.dk
 info@bevi.no
 info@bevi.fi
 sales@bevi.cn

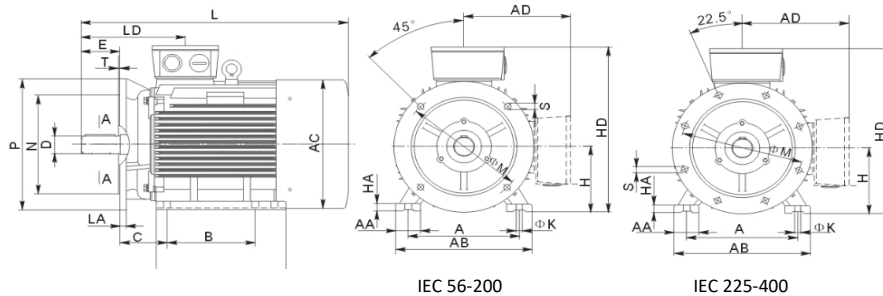
+46 499 271 00
 +45 39 67 36 05
 +47 22 07 66 50
 +358 9 2709 1210
 +86 21 5032 5200



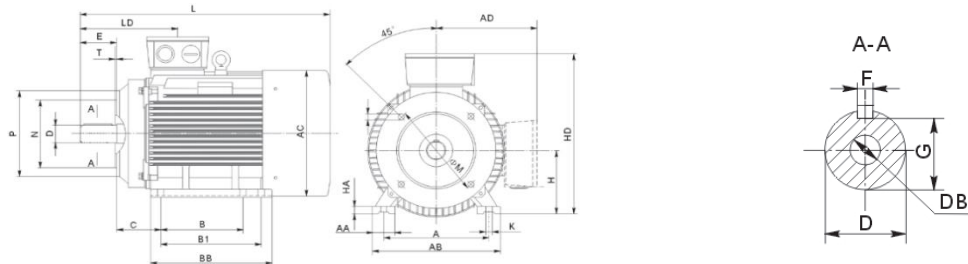
DATA SHEET

Customer:	
Ref.:	
Order:	
Motor:	
Serial nr:	
Date:	09-01-2020

Foot & flange mounted motor 4A 801-4 B3/B5



4A 801-4 B14A + (B14B)



Flange type: B5

M: 165
N: 130
P: 200
S: 12

A: 125
B: 100
AB: 165
AC: 175
AD: 134
LD: 112

B14A

M: 100
N: 80
P: 120
S: M6

HD: 215
C: 50
H: 80
K: 10
L: 293
L (V1): 343

(B14B)

M: 130
N: 110
P: 160
S: M8

E: 40
D: 19
G: 15,5
DB: M6
F: 6

Bevi Group:

BEVI AB, Sweden
BEVI A/S, Denmark
BEVI Norge A/S, Norway
BEVI Finland OY AB, Finland
BEVI CHINA, China

www.bevi.se
www.bevi.dk
www.bevi.no
www.bevi.fi
www.bevi.cn

sales@bevi.se
bevi@bevi.dk
info@bevi.no
info@bevi.fi
sales@bevi.cn

+46 499 271 00
+45 39 67 36 05
+47 22 07 66 50
+358 9 2709 1210
+86 21 5032 5200