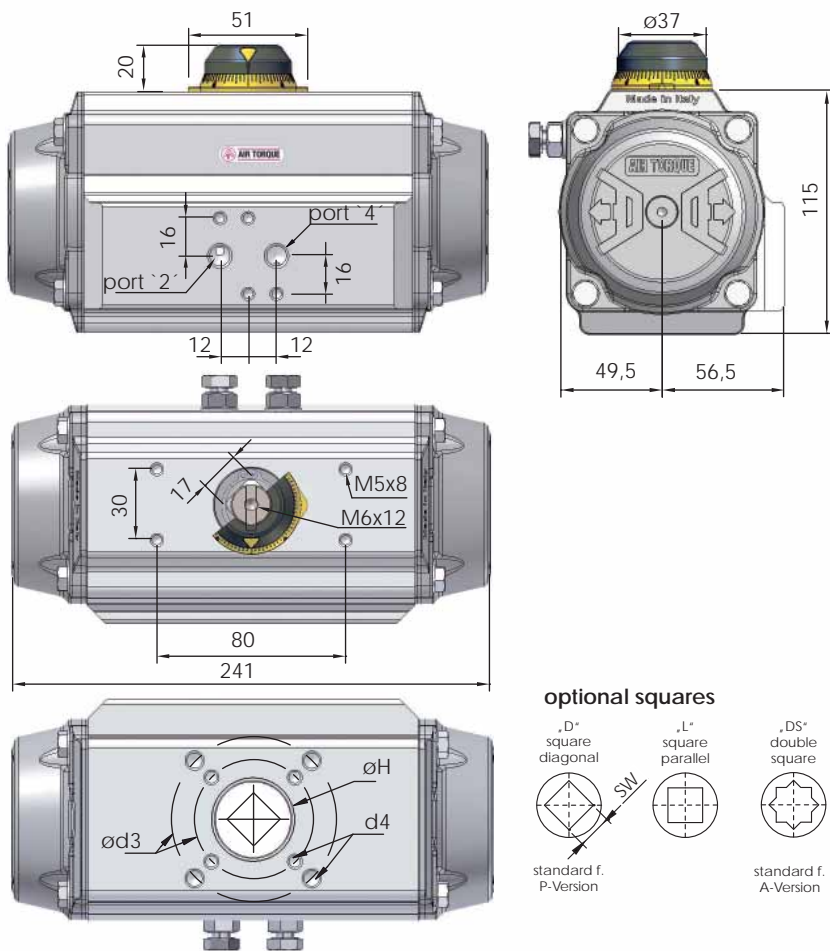




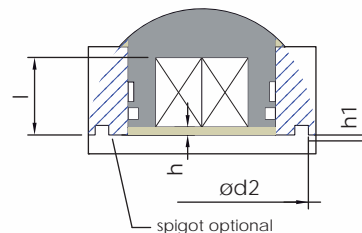
Dimensions in mm



ISO 5211 - available flanges

	Standard		optional
ISO 5211	F05* + F07		F07
Ø d3	40	-	55
Ø d2	50	70	70
d4	M6x9	M8x12	M8 x 12
Ø H	40		55
SW x l min.	D	-	11x19 - 14x18 - 17x19
	DS	17 x 19	17 x 19
h min.	1,5	1,5	1,5
h1	1,5	-	2

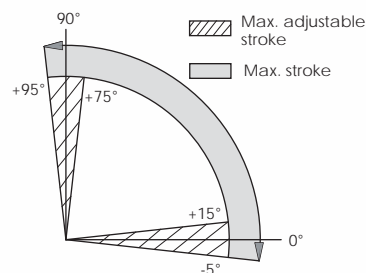
*before selecting the flange connection please consider the indications of standard n° 5211 on page 0911 of our manual for op. and maintenance



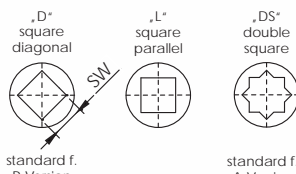
Connection / Attachment

Pressure connection Port 2 and 4	G1/8"
Ancillaries attachment	AA 1

Rotation and stroke adjustment



optional squares



Pressure	Output torque for double acting and spring return in Nm												Spring torque	approx. weight in kg										
	2,5 bar		3 bar		3,5 bar		4 bar		4,2 bar		4,5 bar				5 bar		5,5 bar		6 bar		7 bar		8 bar	
	0°	90°	0°	90°	0°	90°	0°	90°	0°	90°	0°	90°			0°	90°	0°	90°	0°	90°	0°	90°	0°	90°
DR	45,8	54,9	64,1	73,2	76,9	82,4	91,5	101	110	128	146	-	-	-	-	-	-	-	-	-	-	-	3,82	

SC 2/3	27,4 16,9	36,6 26	45,7 35,2	54,9 44,3	58,5 48	64 53,5	73,2 62,6																28,9 18,3	4,07	
SC 3	23,8 11,1	32,9 20,3	42,1 29,4	51,2 38,6	54,9 42,2	60,4 47,7	69,5 56,9	78,7 66																34,7 22	4,12
SC 3/4		29,2 14,5	38,4 23,6	47,5 32,8	51,2 36,4	56,7 41,9	65,8 51,1	75 60,2	84,2 69,4															40,4 25,7	4,17
SC 4			34,7 17,9	43,9 27	47,5 30,7	53 36,2	62,2 45,3	71,3 54,5	80,5 63,6	98,8 81,9														46,2 29,3	4,22
SC 4/5				40,2 21,2	43,9 24,9	49,4 30,4	58,5 39,5	67,7 48,7	76,8 57,8	95,1 76,1	113 94,5													52 33	4,27
SC 5						45,7 24,6	54,8 33,8	64 42,9	73,1 52,1	91,5 70,4	110 88,7													57,8 36,7	4,32
SC 5/6							51,2 28	60,3 37,1	69,5 46,3	87,8 64,6	106 82,9													63,5 40,3	4,37
SC 6									56,7 31,4	65,8 40,5	84,1 58,8	102 77,1												69,3 44	4,42

Pressure max.	Rotation (STD) (C)	Screw stroke adjustment	Chamber (Ø mm)	Air volume (L)		Moving time (sec.) (A)	
				OPEN	CLOSE	OPEN	CLOSE
8 bar	0° - 90°	for 1° 1/5 rotation	88	0,51	0,78	D 0,40 S 0,50	D 0,50 S 0,60

Operating temperature (°C) (B)		
ST (Standard)	HT (High temperature)	LLT (Extreme low temperature)
- 40 to + 80	- 15 to + 150	- 55 to + 80

(A) the above indicated moving time of the actuator is obtained under the following test conditions: (1) room temperature, (2) actuator stroke 90°, (3) solenoid valve with Ø 4 mm and flow capacity Qn 400 L/min., (4) inside pipe Ø 8 mm, (5) medium clean air, (6) air supply pressure 5,5 bar (79,75 Psi), (7) actuator without external resistance load. **Caution:** It has to be expected, e.g. for field applications, when one or more of the above parameters are different, the moving time will be different.

Operating Medium:

The operating medium must be free of dust and oil. The maximum particle size must not exceed 30µ. (ISO 8573 Part1, Class5). In order to prevent water condensation and/or solidification (ice when actuator works below 0°C), the operating medium must have a dew point equal to -20°C or at least 10°C below the ambient temperature (ISO 8573 Part1, Class3)

(B) Every temperature range option requires proper components and lubricant. Please contact Air Torque GmbH.