



Technical data

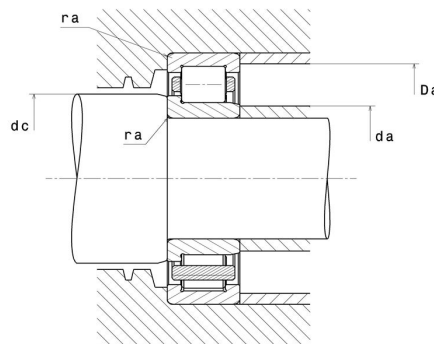
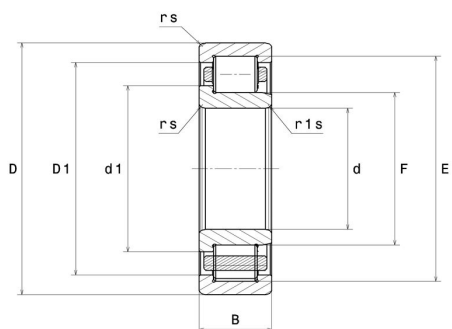
NJ306EAT2X

Single row cylindrical roller bearings

Single row cylindrical roller bearing, single direction for axial loads, separable, polyamide cage.

ULTAGE

Visual(s)



Product definition

d	30 mm
D	72 mm
B	19 mm
E	62.5 mm
F	40.5 mm
d1	44.9 mm
rs min	1.1 mm
r1s min	1.1 mm
Radial clearance class	CN
Mass (without HJ ring)	0.37 kg
Brand	NTN

Product performance

Dynamic load, C	63 kN
Static load, C0	50 kN
Nlim (oil)	13,200 Tr/min
Nlim (grease)	9,300 Tr/min
Min operating temperature, Tmin	-20 °C
Max operating temperature, Tmax	120 °C
Characteristic cage frequency, FTF	0.39 Hz
Characteristic rolling element frequency, BSF	4.47 Hz
Characteristic outer ring frequency, BPF0	4.72 Hz
Characteristic inner ring frequency, BPFI	7.28 Hz

Abutment dimensions

da min	36.5 mm
da max	40 mm
dc min	48 mm
Da max	65.5 mm
ra max	1 mm
r1a max	1 mm

Calculation factors

Equivalent dynamic radial load

$$P = Fr$$

Equivalent static radial load

$$Po = Fr$$