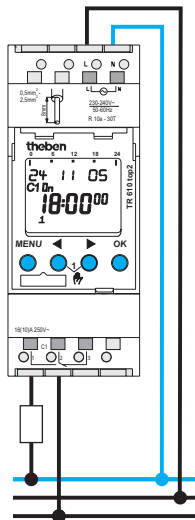


TR  
TR 610 top2  
TR 612 top2

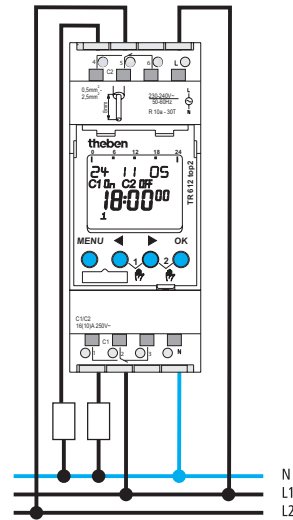
6100102  
6120102

Assembly and operating  
instructions  
Time switch

**GB** **E**  
**P** **D**



TR 610 top2



TR 612 top2



Current connection required for smooth zero-crossing switch operation (see connection diagram)!

# Contents

Basic advice	3
Screen display and keys/Operating principle	4
Menu overview	5
Connection/assembly	6
Initial start-up	7
<b>Menu item PROGRAM</b>	
Reprogram switching time	8
Change switching time	9
<b>Menu item MANUAL</b>	
Manual and permanent switching	10
<b>Menu item OPTIONS</b>	
PIN code	10
Memory card OBELISK top2, RESET	11
Technical data	12
Service address/Hotline	12

## Basic advice



**WARNING**

**Danger of death through electric shock or fire!**

➤ Installation should only be carried out by professional electrician!

- The device is designed for installation on DIN top hat rails (in accordance with IEC/EN 60715)
- Corresponds to type 1 STU actions in accordance with IEC/EN 60730-2-7
- Power reserve (10 years) is reduced with memory card inserted (in battery mode)

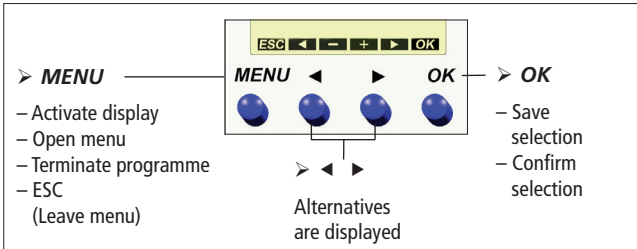
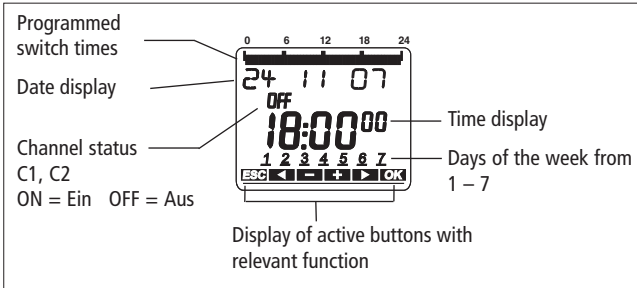
### Designated use

- The time switch is used for lighting, air-conditioning, flushing etc. (electronic control)
- For use only in closed, dry rooms
- Do not use on safety devices, e.g. escape route doors, fire safety equipment etc.

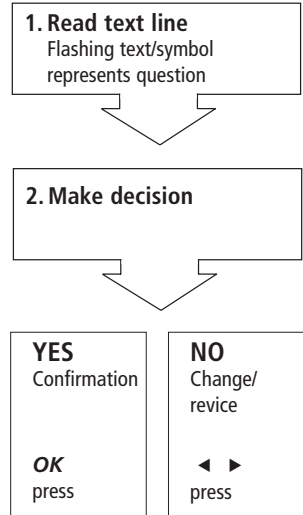
### Disposal

Dispose of equipment in an environmentally-friendly manner

# Screen display and keys

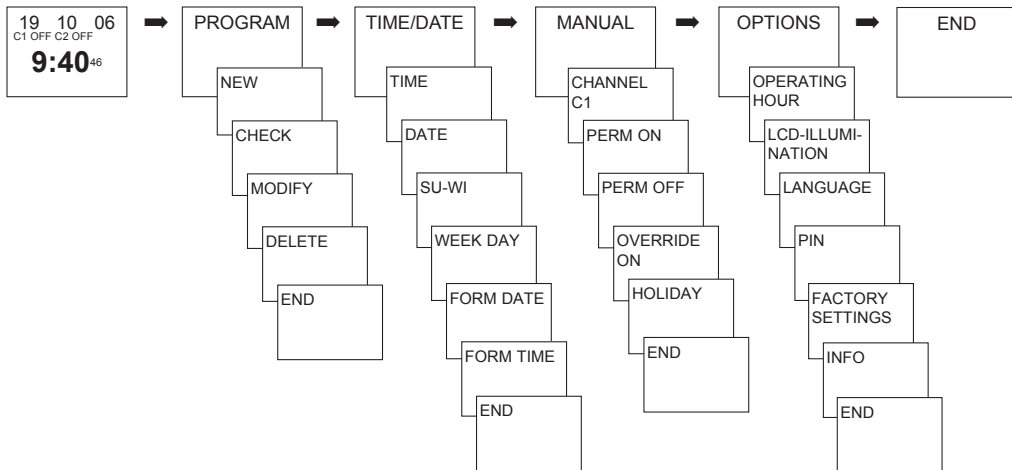


# Operating principle



# Menu overview

## MENU



# Connection/installation

## WARNING

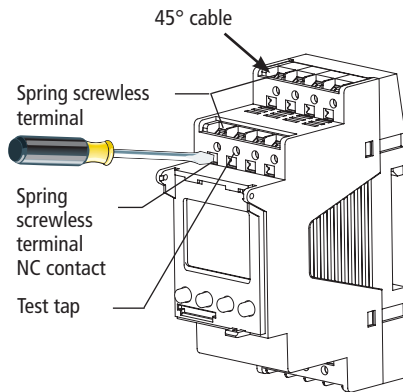


### Warning, danger of death through electric shock!

- Must be installed by professional electrician!
- Disconnect power source.
- Cover or shield any adjacent live components.
- Ensure device cannot be switched on!
- Check power supply is disconnected!
- Earth and bypass!

### Connect cable

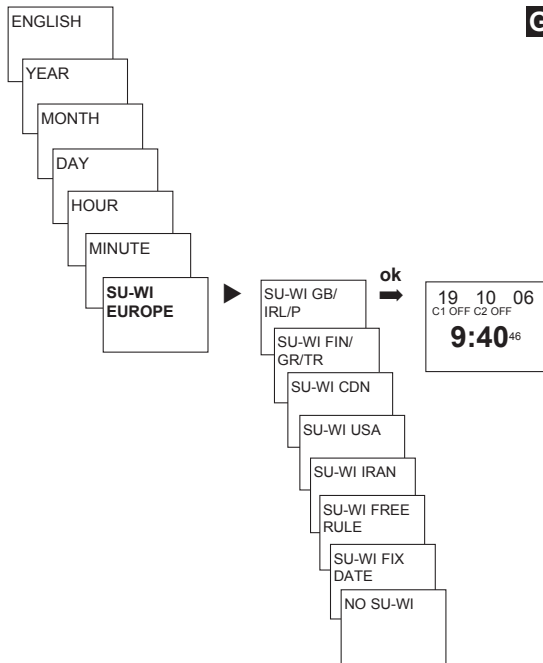
- Strip cable by 8 mm (max. 9).
- Insert cable at 45° in the open terminal (2 cables per terminal is possible).
- Only for flexible wiring: Press screwdriver downwards to open spring screwless terminal.



# Initial start-up

## Set date, time and summer-/winter time rule

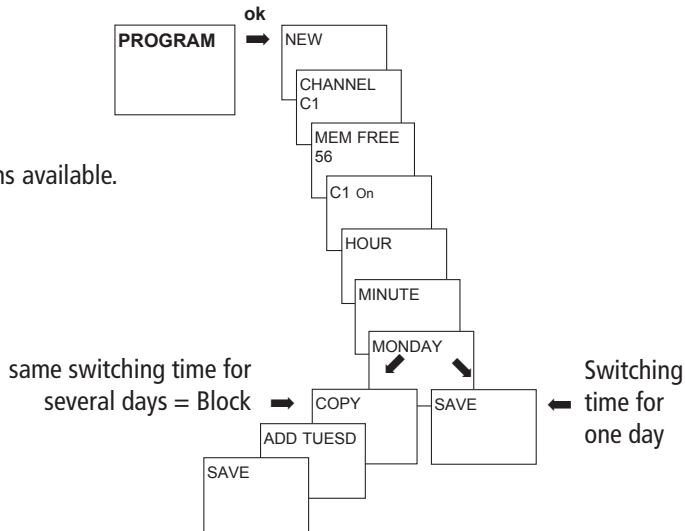
- Press desired button and follow on-screen instructions.



# Program switching time

- Press **MENU**.  
(see fig.)

There are 56 memory locations available.

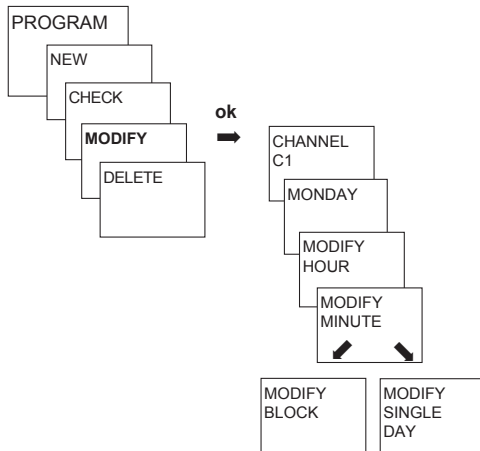




# Change/delete switching time

- Press **MENU**.  
(see fig.)

You can either change or delete a block, i.e. a switching time copied for several days (e.g. Mon-Fri) or a single switching time.



## Manual and permanent switching

Manual and permanent switching can be selected by using menu option MANUAL or (in the automatic display) via a combination of buttons (see fig.).

channel  
C1

channel  
C2

### Activate manual switching

- Quickly press both buttons simultaneously.

### Activate permanent switching

- Press both buttons simultaneously for 2 sec.

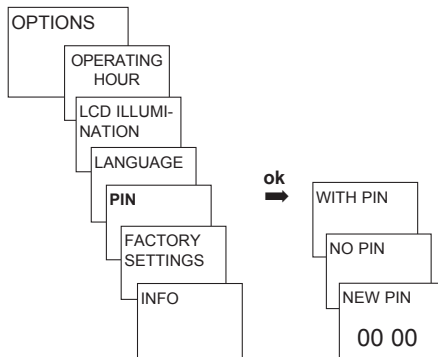
### Cancelling manual/permanent switching

- Press both buttons simultaneously.

## PIN code

The PIN code is set in the menu under OPTIONS (see fig.).

If you lost the PIN call the Theben Hotline.

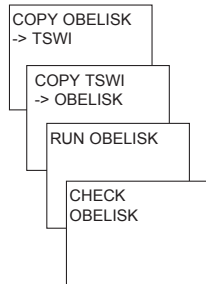
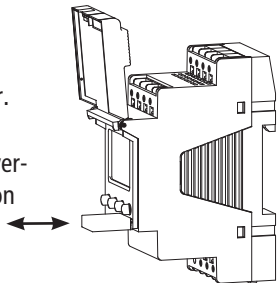


# OBELISK top2 memory card

## Using memory card

- Insert memory card in the time switch.
- Request saved switch timings, read to/from the time switch or start the Obelisk program.
- Remove OBELISK top2 memory card (No. 9070404) (optional) after programming etc. and store in cover.

Avoid mechanical overload or contamination caused by other storage/transport.



## RESET

- Press the 4 buttons simultaneously.

You can choose between **RETAIN PROGRAMS** and **DELETE PROGRAMS**.

## Technical Data

- Rated voltage: 230–240 V AC, +10 %/-15 %
- Frequency: 50–60 Hz
- Power consumption: max. 6 VA
- Switching output: phase-independent  
zero-crossover switching)
- TR 610 top2: suitable for switching SELV  
(Safe Extra-Low Voltage)
- Contact: two way switch
- Contact material:  $\text{AgSnO}_2$
- Switching capacity max.: 16 A, 250 V~,  $\cos \varphi = 1$   
10 A, 250 V~,  $\cos \varphi = 0,6$
- Switching capacity min.: 10 mA/230 V AC  
100 mA/24 V AC/DC
- Incandescent lamp load: 2600 W
- Halogen lamp load: 2600 W
- Fluorescent lamp load: uncorrected:  
series corrected: 1000 VA  
parallel corrected: 730 VA (80  $\mu\text{F}$ )
- Compact fluorescent lamps: 22 x 7 W; 18 x 11 W;  
16 x 15 W; 16 x 20 W; 14 x 23 W
- Permissible ambient temperature:  $-30\text{ }^\circ\text{C}$  ...  $+55\text{ }^\circ\text{C}$

- Protection class: II in accordance with IEC/EN 60730-1 with designated installation
- Protection rating: IP 20 in accordance with IEC/EN 60529
- Power reserve: 10 years at  $+20\text{ }^\circ\text{C}$
- Pollution degree: 2
- Rated impulse voltage

## Service address/Hotline

### Service address

**Theben AG**  
Hohenbergstr. 32  
72401 Haigerloch  
DEUTSCHLAND  
Fon +49 7474 692-0  
Fax +49 7474 692-150

### Hotline

Fon +49 7474 692-369  
Fax +49 7474 692-207  
hotline@theben.de  
**Addresses, telephone numbers etc.**  
**www.theben.de**