

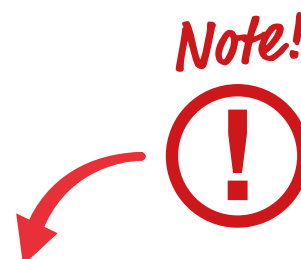
EASY-LASER[®]

MEASUREMENT AND ALIGNMENT SYSTEMS
PRODUCT CATALOGUE

20

INTRODUCTION / DOCUMENTATION / USER STORIES	3
GEOMETRIC MEASUREMENT SYSTEMS	8
SHAFT ALIGNMENT SYSTEMS	22
SHEAVE/PULLEY ALIGNMENT SYSTEMS	31
VIBRATION MEASUREMENT TOOL	33
SPECIAL SYSTEMS	34
MEASUREMENT PROGRAMS E and XT SERIES	36
DISPLAY UNITS	40
LASER TRANSMITTERS	41
DETECTORS AND OTHER RECEIVERS	43
MEASURING UNITS	45
BRACKETS AND MISCELLANEOUS PRODUCTS	48
SPARE PARTS	73
APPAREL / GIVE AWAYS	77
DISCONTINUED PRODUCTS	78
SPECIFICATIONS FOR BATTERIES	88
TECHNICAL SPECIFICATIONS AND DRAWINGS	89
PART NUMBER PAGE LIST	114

SYSTEM	PAGE
E980 Sawmill	8
E975 Roll Alignment	9
E970 Parallelism	10
E960-A Turbine alignment	11
E960-B Turbine alignment	12
E950-A Bore alignment	13
E950-B Bore alignment	14
E950-C Bore alignment	15
E950-D Bore alignment	16
E930 Extruder	17
E920 Geometric	18
E915 Flange Spin	19
E910 Flange	20
XT770 Shaft	23
XT660 Shaft	24
XT550 Shaft Ex/ATEX	25
XT440 Shaft	26
E720 Shaft	27
E710 Shaft	28
E540-A Shaft	29
E540-B Shaft	29
E420 Shaft	30
XT190 BTA	31
D90 BTA	32
XT280 VIB	33
Wind Shaft Systems	34



WHAT THE PICTURES SHOW

System picture. Does only show the main parts of the system, not all items that are included. Always read the Part list for complete system specification.

Easy-Laser® E915 Flange Spin
Part No: 12-0526

Measure flatness easily with spinning laser
This system is mainly for wind turbine tower producers who want to measure flatness of flanges. Similar applications can be e.g. slewin bearings. You can see the result as a true 3D image in the display directly after measuring. Then evaluate the result easily with different calculation settings, for example three point reference, best fit or z-positive. This can also be done directly on site without having to go to a PC with separate analysis programs, which was the case previously. This makes production much more efficient.

The system includes laser transmitter D23 Spin with power rotating head. This is how it works in brief: The laser beam from the transmitter rotates constantly and creates a reference plane over the entire measurement object. Measurements are performed quicker as you do not have to align the beam for each new measurement position. You place the detector at the desired measurement points and register reading by a push of a button. In principle, one person can perform the measurement themselves. It is then possible to generate a PDI

2 AXES PSD
20 m / 66'

DUAL DETECTION TECHNOLOGY

[D] [D550] [E] [XT]: Indicates which product range the part is compatible with. If no letter is present, the part fits all ranges.

[XT*]: If there is an asterisk *, the bracket will need an adaptor to fit.

Note: If there are other compatibility limitations these are mentioned for each product. For more information see next page.

Detector E5
Part No: 12-0509
Description: Detector for the E [0.79"x0.79"]. Built-in 360° elev making it possible to connect to any rod, but has mounting threads on two sides.
Note: With Dual Detection Technology fixed point laser and spinning laser.

Main product picture ¹

Additional pictures ¹
Can show the system/product in an application, a product function or another view.

NOTE!

We reserve the right to make modifications of the product design and technical specifications without prior notification.

¹ Be aware that these pictures may show items that are not included for the specific part number.

STRAIGHTFORWARD BY ALL MEASURES

Easy-Laser® is one of the world's leading manufacturers and suppliers of laser measurement systems for all types of industry. We provide extreme accuracy and precision. But that's not what sets us apart. Today, when virtually anyone with a decent laser can do "straight", to get ahead, you need to be a bit more forward-thinking.

Because, in the long run, what really counts is neither the absolute straightness of an individual component nor the precise alignment of shafts. It's what these measures add up to: Increased productivity and the saving of resources. Those are the things we ultimately deliver. And from that perspective our most important task is to help you make the road leading there as free from bumps and bends as possible.

That means developing user-friendly measurement and alignment systems that are as easy to get your head around, as they are versatile and scalable. It also means shortening delivery times, extending warranties and optimizing training and support.

Moreover, you can always expect us, or any of our partners, to give you an honest opinion on which of our products are crucial to your operations and which you can do without. What really needs to be aligned and what not. So that what we offer you is a solution perfectly aligned with your needs – and your budget.

Regardless of whether you're a service technician, a purchaser or the CFO of a multinational industrial group, you'll find Easy-Laser® truly easy to deal with. Or as we like to put it – straightforward by all measures.



LONG WARRANTY

The systems come with a 3 year limited warranty. The manufacturing and quality systems are ISO9001 approved.



OUR SERVICE CONCEPT

Our service department usually takes care of servicing or calibration within seven working days. All this makes Easy-Laser® a safer working partner for your operation. As an extra service, we provide a 48 hour express service for when accidents occur and time is of the essence. Contact us for further information about terms and conditions.



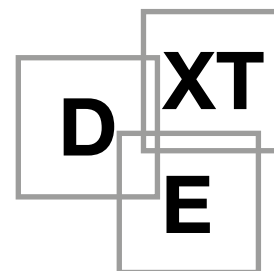
COMPATIBILITY BETWEEN D, E AND XT

Easy-Laser® measurement systems are extremely versatile in their standard form. By using clever accessories, you can adapt the systems for your own needs, now and in the future as your measurement requirements change. You can also combine parts from one system with another. This is cost-effective! However, there are some differences you need to know:

Note1: The D-series, E-series and XT-series detectors and display units can only be used within its own product series. This is due to software communication. Laser transmitters are no problem, because they do not communicate with measurement software.

Note2: Brackets for D- and E-series has a rod C–C of 40 mm, XT-series rod C–C is 56 mm. The XT offset bracket (12-1008) function as an adaptor for these two measures, but doesn't fit all older brackets.

Note3: Brackets for D550Ex has a rod C–C of 70 mm. These brackets are marked |D550|. Please note that D550Ex is discontinued, and replaced by XT550Ex (rod C–C 56 mm).



LEARN MORE ABOUT A SPECIFIC MEASUREMENT SYSTEM OR APPLICATION

In our measurement system brochures you can find technical specifications and more information on the systems and products in this Product overview. Available for download in different languages from: www.easylaser.com



Easy-Laser® E980



Easy-Laser® E970/E975



Easy-Laser® E960



Easy-Laser® E950



Easy-Laser® E930



Easy-Laser® E920



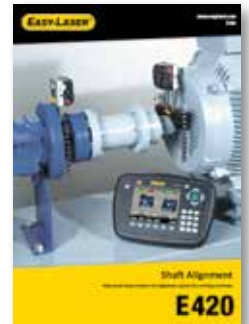
Easy-Laser® E910/E915



Easy-Laser® E710/E720



Easy-Laser® E540



Easy-Laser® E420



Easy-Laser® XT770



Easy-Laser® XT660



Easy-Laser® XT550 Ex



Easy-Laser® XT440



Easy-Laser® E290



Easy-Laser® XT280



Easy-Laser® XT190



Easy-Laser® D90



Reliable machinery installation

“Reliable machinery installation” – it sounds like an obvious thing, don’t you agree? But where does reliability actually start?

We all know that “the thing” starts with the design. The design stage decides what is going to be installed. Which equipment, and where. But there is no decision of Who is going to perform the installation, and How it is going to be installed. Most of the time those two departments are not cooperating, especially if they don’t belong to the same organization. The installation teams must be involved in the design because they will provide their feedback for reliable machinery installation. They know exactly how the things work out there and how this needs to be done.

Every day I see on the social media tons of information regarding reliability maintenance, condition monitoring, sensors, cameras and all possible problem-solving technologies. All those technologies provide necessary information from our assets. Things we need to know in order to evaluate the condition of our assets. But what about the most crucial step? Machinery installation, anyone? I have been assembling and building skids and gas compression systems for gas and petrochemical industry for many years. My experience has shown me that “flatness and levelness” is one of the most critical issues when it comes to the assembly of rotating machinery.

Designed for flatness and levelness

All machinery is designed to work on a flat and levelled surface. Every manufacturer of pumps, compressors, blowers, electrical motors, gear boxes assume that their equipment is going to be installed correctly, meaning on flat and levelled surface. And they also provide their tolerances for this. There are standards for the installation, too. ANSI standards recommend foot flatness less than $0.4\mu\text{m}/\text{mm}$ [5 mils/ft]. And coplanarity less than $50\mu\text{m}/\text{mm}$ [2 mils] between the machines and their drives for machines up to 400kW or 500 HP. ISO

standard for centrifugal pumps for petroleum, petrochemical and natural gas industries (ISO 13709:2009) say clearly that “Corresponding surfaces shall be in the same plane within $150\mu\text{m}/\text{m}$ ”. That is 0,15mm per meter. Levelness has the tolerances less than $0,8\mu\text{m}/\text{mm}$ [10 mils/ft]

Flatness and levelness affect everything

Checking the flatness of the foundation is essential. The foundation is the cornerstone for every single installation, irrespective of type. Mounting pads, soleplates, frames and tables. Everything you put on top of them is going to be affected. When the flatness is out of tolerances all rotating equipment is affected. Soft foot, misalignment, machine casing stress, pipe flange misalignment, and many other causes. But I want to mention specifically one, and that is strain in the bearings. The bearing is designed to rotate using the oil film lubrication. According to Swedish bearing manufacturer SKF, a free running bearing with the proper lubrication will rotate to infinity. When the bearing is squeezed, the lubrication film is forced out and contact metal-to-metal appear. Excess heat is generated, and your bearing is running into the failure. That simple. All other failures will be linked to it. And it often started with a flatness issue.

Levelness is another factor affecting heavily the equipment. Vertically installed bearings carry on horizontal loads and if you change their gravity point, the lubrication will move out of their race way. If you have not proper lubrication film, there will be metal to metal contact. If you have splash lubrication in your machine, and you have unlevelled installation, you will move the oil away from the oil slinger. That will be End of the story.

Why would you install your asset on bases which is not checked for proper flatness and levelness and face all the problems related to it? After reading this you can at least not claim “I didn’t know it was important...”

Roman Megela Gazdova

Senior reliability engineer, Easy-Laser AB



Bilfinger goes Ex

Bilfinger Maintenance is Germany’s leading maintenance service provider. They decided to make a leap into the future of laser alignment – the app based intrinsically safe XT550 Ex system.

The leading maintenance service provider

In the ‘Industriepark Höchst’ in Frankfurt/M. alone, the Bilfinger Machine and Drive Technology Division attend most of the manufacturing companies and a growing number of customers outside of the chemical park. When it comes to shaft alignment, experts from Bilfinger rely on the co-operation with the Swedish company Easy-Laser for nearly two decades. Shortly after Easy-Laser had officially launched their XT550 EX shaft alignment system at the Hannover trade show in April 2018, the innovative measurement system was delivered to Bilfinger, who was the first customer.

Explosion protection is essential

A big plus for the intrinsically safe XT550 EX is its ATEX and IECEx-certification: The system can be used in the explosive atmospheres of zone 1 and 2, without the customer needing a separate ‘hot permit’ and having to shut down his production, which always means significant financial and time-consuming expenditure. “Earlier, the entire facility would have to come to a complete standstill. Today, there are more and more only partial shutdowns of only one section while the adjacent production carries on running. This is a big advantage, saving considerable time for both us and the customer”, says Mr. Karl-Heinz Bank, head of Machine Technology and Service Technicians at Bilfinger.

Smart documentation shortens downtime

With the XT alignment systems, the user is on-site to carry out measurements and then creates a measurement report within the system, including graphs in a PDF or Excel format, before sending it off electronically. “This saves a lot of time and makes it easier for the customer because he has the documentation on his desk straight away and can start operating the machine again straight away”, says Bank.

This is a short version. Read the full story published on our web site, www.easylaser.com

Bilfinger is a leading international industrial service provider. With around 36,000 employees, in 2017, Bilfinger generated a sales revenue of around 4.044 billion euros. Learn more about Bilfinger services worldwide: www.bilfinger.com

LEARN SOME MORE

Read more interesting cases on: www.easylaser.com

Here are some direct links to click if you read this as a PDF:



Alignment tolerances guiding your work >>

Recently a new standard was published in the U.S. by the Acoustical Society of America (ASA) and the American National Standards Institute (ANSI) called ANSI/ASA S2.75-2017/Part 1. This new standard is a great thing for our industry and will help us with all of our installation work and more. It is written following the core technical components of Measure, Analyze, Correct and Documentation.



Making the impossible possible >>

We got an urgent call from one of our long time contacts at a contracting company based in Brazil. They were on site, working on getting one out of four gas turbines quickly back online after an unscheduled shut down. This is the story of how a complicated alignment job was solved by a clever Easy-Laser® alignment technician.

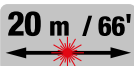


The challenges of on ship alignment >>

On Site Alignment is a Dutch company with a focus on alignment onboard ships. They offer high-end services, which doesn't prevent their work from being physically challenging, sometimes including complicated crawling through narrow and dirty areas. Alignment on ships comes with other challenges as well. There are a lot of parameters to take into consideration. A ship on the water is moving, and it has different loading and ballast conditions. On Site need to consider all of this to calculate the correct alignment targets.



COMPLETE SYSTEMS



Easy-Laser® E980 Sawmill

Part No: 12-0727

Measurement and alignment of sawmill machinery

Easy-Laser® E980 is a laser based measurement and alignment system that helps sawmills to make optimal use of their machines. By setting the machines up correctly it is possible to maintain a high rate of production with the highest quality end products hour after hour.

With Easy-Laser® E980 measuring and adjustment of reducers, counterholds, saw blades and discs become a simple and quick task. The laser line works as an absolutely straight ruler for 40 metres, and is very practical for the demanding and dusty environment of a sawmill. It replaces the long wire used traditionally, and gives many more possibilities for aligning the saw equipment. Thanks to the user friendliness of a laser measurement system the alignment work is properly done when necessary. The investment is quickly returned through fewer production stoppages and more even quality in the sawn timber. It can be used equally well for circular saws and band saws.

Benefits of using Easy-Laser® E980 are:

- Higher production speed
- Less unplanned downtime
- Better product quality
- Longer lifetime for blades
- Longer lifetime for bearings
- Less vibration
- Less waste material

There is a standard system configuration plus some useful accessories. Together with our Easy-Laser representative, the system is adapted to best fit your actual machinery.

Please note that the pictures show older design of case, index table and display unit.



A complete system contains:

- | | | |
|---------|---|---|
| 12-0418 | 1 | Display unit E51 |
| 12-0168 | 1 | Laser transmitter D23 |
| 12-0509 | 1 | Detector E5 |
| 12-0436 | 1 | Wireless unit |
| 03-0833 | 2 | Electronic target |
| 12-0074 | 1 | Cable 2 m |
| 12-0108 | 1 | Cable 5 m, extension |
| 12-0045 | 1 | Magnet base with turnable head |
| 12-0016 | 1 | Shaft bracket with chain |
| 12-0624 | 2 | Bracket for electronic target |
| 12-0169 | 1 | Rod bracket with turnable head |
| 12-0485 | 1 | Magnet bracket short, with turnable head |
| 12-0484 | 1 | Magnet bracket long, with turnable head |
| 12-1087 | 1 | Bracket for tilt table |
| 12-1083 | 1 | Index table 90° |
| 12-0059 | 1 | Set of Rods (4x60 mm) |
| 12-0324 | 1 | Set of Rods (8x120 mm) |
| 01-0565 | 2 | Large targets |
| 05-0685 | 1 | Manual (Note: Refers to English manual) |
| 03-0842 | 1 | Measuring tape 5 m |
| 03-0914 | 1 | USB memory stick with documentation |
| 03-0822 | 1 | USB cable |
| 03-1243 | 1 | Battery charger (100–240 V AC) |
| 03-0967 | 1 | Hexagon wrench set (incl. with 12-0168) |
| 01-0048 | 1 | Rod tightening tool 4 mm (incl. with 12-0168) |
| 12-0495 | 1 | Shoulder strap for Display unit |
| 03-0878 | 1 | Cleaning cloth for optics |
| 12-1007 | 1 | Transportation case, with wheels |

Examples of accessories:

- | | | |
|---------|---|--|
| 12-0022 | 1 | Laser transmitter D22 (add or exchange the D23) |
| 12-0509 | 1 | Detector E5 (add an extra unit for more measurement possibilities) |
| 12-1010 | 1 | Sliding bracket (for vertical support rolls) |
| 12-0013 | 1 | Magnet base |
| 12-0045 | 1 | Magnet base with turnable head |
| 12-0696 | 1 | Small magnet base with turnable head |
| 12-1053 | 1 | XT190 BTA (belt transmission alignment tool) |

Note: always check number of items included for each Part No. before ordering.

Complete system:

Weight: 15.0 kg [33.1 lbs]
 WxHxD: 550x450x210 mm [21.6x17.7x8.3"]

Easy-Laser® E975 Roll Alignment

Part No: 12-0854

For fast exchange of rolls

System E975 is designed mainly for roll alignment. It is well suited when just one or two rolls are to be replaced or adjusted at the same time. For rolls with diameters 80–400 mm [3.1–15.8"], and a minimum length of 300 mm [11.8"]. The large roll kit (Accessory, Part No. 12-0885) makes it possible to measure diameters 400–1300 mm [15.7–51.2"]. Accessory brackets for other dimensions available on request.

Measurement distance between transmitter and detector up to 20 m (in each direction) [66 feet].

Thanks to the fact that the system is quick to set up on the machine it can be used during short stoppages to check and if necessary adjust or replace a roll. Where more advanced methods might require that the measuring service is scheduled some time in advance and use contracted personnel, with Easy-Laser® E975 you can do the job yourself.

The system can be expanded with other detectors and brackets for more geometric measurement possibilities.

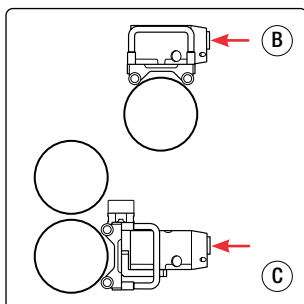
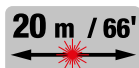
Note: The E2 detector that is included reads angles, not positions. This means that if you want to take full advantage of the measurement program package of system E975, you will also need a positional detector like e.g. the E7.

A. With legs from Large Roll Kit mounted (accessory).

Alternative mounting of units:

B: Top attachment

C: Front attachment. If space on top is limited.



A complete system contains:

- 12-0418 1 Display unit E-series E51
- 12-0022 1 Laser transmitter D22 incl. tilt table
- 12-0845 1 Detector E2
- 12-0849 1 Roll bracket
- 12-0846 1 Digital Precision Level E290
- 12-0013 1 Magnet base
- 12-0874 1 Adapter plate for tilt table to magnet base
- 01-0044 2 Rods 240 mm
- 01-0873 2 Rods 120 mm
- 01-0043 2 Rods 60 mm
- 12-0915 1 Safety strap for laser transmitter
- 05-0685 1 Manual (Note: Refers to English manual)
- 03-0842 1 Measuring tape 5 m
- 03-0914 1 USB memory stick with documentation
- 03-0822 1 USB cable
- 03-1243 1 Battery charger (100–240 V AC)
- 12-0989 1 DC charging cable
- 12-0751 1 DC to USB adapter
- 03-0967 1 Hexagon wrench set
- 12-0495 1 Shoulder strap for Display unit
- 03-0878 1 Cleaning cloth for optics
- 12-0870 1 Carrying case

Examples of accessories:

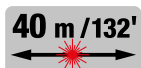
- 12-0885 1 Large Roll kit
- 12-0752 1 Detector E7
- 12-1053 1 XT190 BTA
- 12-0434 1 Measuring unit EM
- 12-0433 1 Measuring unit ES
- 12-0016 1 V-bracket with chain
- 01-1165 1 Offset bracket
- 12-0597 1 Splitter box
- 03-1004 1 Thermal printer
- 12-0455 1 Slide bracket Min. Ø120 mm
- 12-0543 1 Slide bracket Min. Ø200 mm
- 12-0510 1 Slide bracket Min. Ø300 mm
- 12-0269 1 Tripod
- 12-1136 1 Angular prism

Note: always check number of items included for each Part No. before ordering.

Complete system:

Weight: 15.0 kg [33.1 lbs]

WxHxD: 550x450x210 mm [21.6x17.7x8.3"]



Easy-Laser® E970 Parallelism

Part No: 12-0853

For parallelism measurement

For parallelism measurement of rolls and other objects in numerous applications. The E970 is especially suitable when many objects are to be measured and aligned, and when the distances are long. This system use the traditional method where the laser beam (reference) is pointed alongside the machine, and then deflected 90° towards the detector on the measurement object by a penta prism. Measurement values for the horizontal position are registered in both ends of the object. The included precision level is used for the vertical position. Any chosen object or the baseline can be used as a reference. For rolls with diameter 40 mm [1.6"] and larger. Maximum measurement distance with a standard system is 80 metres [260 feet] (40 metres in each direction from the transmitter).

Easy-Laser® E970 is a very versatile system. You can also use it to measure level, straightness and flatness on wire sections (suction boxes), flatness on bases and straightness on rolls. With a few accessories you can also perform shaft alignment. This makes Easy-Laser® a very cost effective solution for your maintenance department.



A complete system contains:

- 12-0418 1 Display unit E-series E51
- 12-0022 1 Laser transmitter D22 incl. tilt table
- 12-0752 1 Detector E7
- 12-0436 1 Wireless unit for E7
- 12-0846 1 E290 Digital Precision Level
- 12-0901 1 Extension Kit for E290
- 12-0074 1 Cable 2 m
- 12-0108 1 Cable 5 m, extension
- 12-1136 1 Angular prism (incl. laser alignment target)
- 01-2232 1 Tripod adaptor for Angular prism
- 12-0269 2 Tripod
- 12-0203 1 Parallelity kit
- 12-0060 1 Set of Rods 4x240 mm
- 12-0987 1 Set of Rods 4x120 mm
- 12-0059 1 Set of Rods 4x60 mm
- 12-0915 1 Safety strap for laser transmitter D22
- 12-0915 1 Safety strap for E290
- 05-0685 1 Manual (Note: Refers to English manual)
- 03-0842 1 Measuring tape 5 m
- 03-0914 1 USB memory stick with documentation
- 03-0822 1 USB cable
- 03-1243 1 Battery charger (100–240 V AC)
- 12-0989 1 DC charging cable
- 12-0751 1 DC to USB adapter
- 03-0967 1 Hexagon wrench set
- 12-0495 1 Shoulder strap for Display unit
- 03-0878 1 Cleaning cloth for optics
- 12-0869 1 Carrying case

Examples of accessories:

- 12-1053 1 XT190 BTA
- 12-0856 1 Roll alignment Kit
- 12-0618 1 Battery pack with wireless technology
- 12-0434 1 Measuring unit EM
- 12-0433 1 Measuring unit ES
- 12-0016 1 V-bracket with chain
- 01-1165 1 Offset bracket
- 12-0597 1 Splitter box
- 03-1004 1 Thermal printer
- 12-0455 1 Slide bracket Min. Ø120 mm
- 12-0543 1 Slide bracket Min. Ø200 mm
- 12-0510 1 Slide bracket Min. Ø300 mm
- 12-0269 1 Tripod

Note: always check number of items included for each Part No. before ordering.

Complete system:

Weight: 19.5 kg [43.0 lbs]
WxHxD: 620x490x220 mm [24.4x19.3x8.7"]

Tripod:

Weight: 7.9 kg [17.4 lbs]
Transport length: 1110 mm [44"]



Easy-Laser® E960-A Turbine alignment

Part No: 12-0710

Reliability and precision

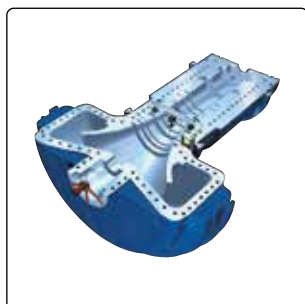
Easy-Laser® E960-A has a measuring probe with a stroke of 10 mm (Short stroke). The slidable tube makes it possible to measure several positions in a row without moving the bracket. Suitable for gas turbines and smaller steam turbines. Makes the measurement and adjustment work of diaphragms and bearings easier thanks to the wireless detector unit and measurement programs that guides you through the measurement process. All of the parts included in the systems are designed and built for even the most demanding workplace and for easy setup on any machinery. The versatile design solves the straightness measurement problems quickly and with precision for any kind of application. Objects up to 40 m [132 feet] can be measured. The detector reads measurement values with a resolution of 0.001 mm [0.05 mils]. Measures diameters 150–1700 mm [5.9–67"].

Versatile programs

The straightness programs of system E960 are very versatile, and let you work in the way that suits every job best. You can add, remove and re-measure measurement points at any time during the measurement. Up to 999 points can be handled by the program. You can include both full bores and half bores in any possible combination in one measurement, the program will calculate the correct centre line in all cases. The measurement program includes many different methods for straightness measurement: 1-point measurement, 4-point measurement, Multipoint measurement (also ovality measurement), 3-point measurement, 3-point measurement with arbitrary angles. Optionally a reference detector can be used to monitor the laser transmitter position at long distances.

The measurement result

Thanks to the large colour display with clear graphs and measurement data you can evaluate the result directly on site. Any point can be set as reference and you can set an offset to which the centre line will be recalculated. You can also calculate waviness (short and long) and best-fit for the points. If you want, the result can also be checked against a tolerance value. The measurement system takes care of all these complicated calculations for you.



A complete system contains:

- 12-0418 1 Display unit E-series E51
- 12-0075 1 Laser transmitter D75
- 12-0752 1 Detector E7
- 12-0436 1 Wireless unit
- 12-0074 1 Cable 2 m
- 12-0108 1 Cable 5 m, extension
- 12-0385 1 Laser transmitter bracket
- 12-0661 1 Offset hub for Laser transmitter
- 12-0438 1 Detector bracket Short stroke
- 12-0443 2 Centering target
- 12-0495 1 Shoulder strap for Display unit
- 05-0685 1 Manual (Note: Refers to English manual)
- 03-0842 1 Measuring tape 5 m
- 03-0914 1 USB Memory stick with documentation
- 03-0822 1 USB Cable
- 03-1243 1 Battery charger (100–240 V AC)
- 03-0878 1 Cleaning cloth for optics
- 12-0724 1 Carrying case with wheels

Examples of accessories:

- 12-0805 1 Measuring probe ruby, diameter 5 mm
- 12-0801 1 Measuring probe ruby, diameter 2.5 mm
- 12-1047 1 Measuring probe cylindrical
- 12-1048 1 Measuring probe cylindrical, with magnet
- 12-0618 1 Battery pack with wireless technology
- 12-0707 1 Offset hub arm kit for diameters 100–500 mm
- 12-0752 1 E7 (as reference detector)
- 12-0434 1 Measuring unit M
- 12-0433 1 Measuring unit S
- 12-0016 1 V-bracket with chain
- 01-1165 1 Offset bracket
- 12-0187 1 Magnetic bracket for D75
- 12-0282 1 Set of extension arms
- 12-0597 1 Splitter box
- 03-1004 1 Thermal printer
- 12-0022 1 Laser transmitter D22
- 12-0706 1 Laser transmitter D25

Note: always check number of items included for each Part No. before ordering.

Complete system:

Weight: 30.3 kg [66.8 lbs]
 WxHxD: 1220x460x170 mm [48.0x18.1x6.7"]



Easy-Laser® E960-B Turbine alignment

Part No: 12-0711

Reliability and precision

Easy-Laser® E960-B has a measuring probe with a stroke of 60 mm (Long stroke). Suitable for larger turbines. The system makes the measurement and adjustment work of diaphragms and bearings easier thanks to the wireless detector unit and measurement programs that guides you through the measurement process. All of the parts included in the systems are designed and built for even the most demanding workplace and for easy setup on any machinery. The versatile design solves the straightness measurement problems quickly and with precision for any kind of application. Objects up to 40 m [132 feet] can be measured. The detector reads measurement values with a resolution of 0.001 mm [0.05 mils]. Measures diameters 200–1700 mm [7.8–67"] as standard, and up to 4000 mm [157"] with accessory brackets.

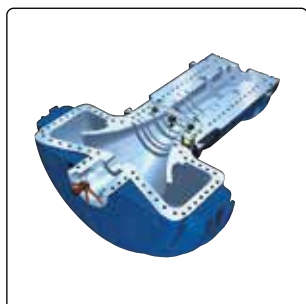
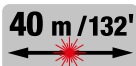
Versatile programs

The straightness programs of system E960 are very versatile, and let you work in the way that suits every job best. You can add, remove and re-measure measurement points at any time during the measurement. Up to 999 points can be handled by the program. You can include both full bores and half bores in any possible combination in one measurement, the program will calculate the correct centre line in all cases. The measurement program includes many different methods for straightness measurement:

1-point measurement, 4-point measurement, Multipoint measurement (also ovality measurement), 3-point measurement, 3-point measurement with arbitrary angles. Optionally a reference detector can be used to monitor the laser transmitter position at long distances.

The measurement result

Thanks to the large colour display with clear graphs and measurement data you can evaluate the result directly on site. Any point can be set as reference and you can set an offset to which the centre line will be recalculated. You can also calculate waviness (short and long) and best-fit for the points. If you want, the result can also be checked against a tolerance value. The measurement system takes care of all these complicated calculations for you.



A complete system contains:

- 12-0418 1 Display unit E-series E51
- 12-0075 1 Laser transmitter D75
- 12-0752 1 Detector E7
- 12-0436 1 Wireless unit
- 12-0074 1 Cable 2 m
- 12-0108 1 Cable 5 m, extension
- 12-0385 1 Laser transmitter bracket
- 12-0661 1 Offset hub for Laser transmitter
- 12-0715 1 Detector bracket Long stroke
- 12-0443 2 Centering target
- 12-0495 1 Shoulder strap for Display unit
- 05-0685 1 Manual (Note: Refers to English manual)
- 03-0842 1 Measuring tape 5 m
- 03-0914 1 USB Memory stick with documentation
- 03-0822 1 USB Cable
- 03-1243 1 Battery charger (100–240 V AC)
- 03-0878 1 Cleaning cloth for optics
- 12-0724 1 Carrying case with wheels

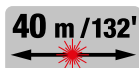
Examples of accessories:

- 12-0805 1 Measuring probe ruby, diameter 5 mm
- 12-0801 1 Measuring probe ruby, diameter 2.5 mm
- 12-1047 1 Measuring probe cylindrical
- 12-1048 1 Measuring probe cylindrical, with magnet
- 12-0618 1 Battery pack with wireless technology
- 12-0707 1 Offset hub arm kit for diameters 100–500 mm
- 12-0752 1 E7 (as reference detector)
- 12-0434 1 Measuring unit M
- 12-0433 1 Measuring unit S
- 12-0016 1 V-bracket with chain
- 01-1165 1 Offset bracket
- 12-0187 1 Magnetic bracket for D75
- 12-0282 1 Set of extension arms
- 12-0597 1 Splitter box
- 03-1004 1 Thermal printer
- 12-0022 1 Laser transmitter D22
- 12-0706 1 Laser transmitter D25

Note: always check number of items included for each Part No. before ordering.

Complete system:

Weight: 31.5 kg [69.4 lbs]
 WxHxD: 1220x460x170 mm [48.0x18.1x6.7"]



Easy-Laser® E950-A Bore alignment

Part No: 12-0676

Bore alignment with the highest reliability and precision

Easy-Laser® E950-A is primarily designed for diesel engines (for example crank and camshaft bearings), gearboxes, compressors and similar applications. Positioning workpieces in machine tools is also an appropriate application.

Easy-Laser® E950 makes checking and aligning bearings and bearing journals easier thanks to wireless detectors and versatile brackets. A large colour display with clear graphics and software that guides the user through the entire measurement process contributes to simple operation. The system automatically calculates the bearing journals positions in relation to each other, both horizontally and vertically. You can then evaluate the results directly on-site with different calculation methods such as Best fit around zero and Waviness. It is also possible to analyse the different choices of reference points and set the offset and tolerance values.

A great feature is the check of ovality, for example, to analyse the wear rate. The measurement system takes care of all these complicated calculations for you. You measure and align both full and half bearing journals with equal simplicity. The wireless detector eliminates uncertain factors such as cable pull. All parts are designed for maximum accuracy and stability, and measure with a resolution of 0.001 mm [0.05 mils]. Measurement distance up to 40 m [130 feet]. Easy-Laser® E950 is suitable for use both in production and out in the field.

Also straightness of shafts and coupling alignment

With the systems, you can also measure the straightness of shafts, foundations, etc. without any additional accessories. With the measuring devices for shaft alignment (accessories), you have the most complete measurement system to align the entire drive train on the market. Programs for all types of measurements are included as standard, you then adapt the measurement system with brackets and detectors for your needs now and in the future.



A complete system contains:

- 12-0418 1 Display unit E-series E51
- 12-0075 1 Laser transmitter D75
- 12-0752 1 Detector E7
- 12-0436 1 Wireless unit
- 12-0074 1 Cable 2 m
- 12-0108 1 Cable 5 m, extension
- 12-0661 1 Offset hub for Laser transmitter
- 12-0384 1 Set of offset hub arms for diameters 100–500 mm
- 12-0154 1 Set of magnets for offset hub arms
- 12-0990 1 Adjustable magnet for offset hub arms
- 12-0455 1 Slide bracket Min. Ø120 mm
- 12-0543 1 Slide bracket Min. Ø200 mm
- 12-0510 1 Slide bracket Min. Ø300 mm
- 12-0588 1 Large target E-series
- 12-0013 1 Magnet base
- 12-0059 1 Set of rods (4x60 mm)
- 01-0938 2 Rods 30 mm
- 01-0873 4 Rods 120 mm
- 01-0044 2 Rods 240 mm
- 12-0495 1 Shoulder strap for Display unit
- 05-0685 1 Manual (Note: Refers to English manual)
- 03-0842 1 Measuring tape 5 m
- 03-0914 1 USB Memory stick with documentation
- 03-0822 1 USB Cable
- 03-1243 1 Battery charger (100–240 V AC)
- 03-0967 1 Hexagon wrench set
- 03-0878 1 Cleaning cloth for optics
- 12-0684 1 Carrying case Linebore A

Examples of accessories:

- 12-0618 1 Battery pack with wireless technology
- 12-0434 1 Measuring unit M
- 12-0433 1 Measuring unit S
- 12-0016 1 V-bracket with chain
- 01-1165 1 Offset bracket
- 12-0187 1 Magnetic bracket for D75
- 12-0282 1 Set of extension arms
- 12-0580 1 Axial extension arms
- 12-0597 1 Splitter box
- 03-1004 1 Thermal printer
- 12-0022 1 Laser transmitter D22

Note: always check number of items included for each Part No. before ordering.

Complete system:

Weight: 14.0 kg [30.8 lbs], WxHxD: 550x450x210 mm [21.6x17.7x8.3"]

Easy-Laser® E950-B Bore alignment

Part No: 12-0677

Bore alignment with the highest reliability and precision

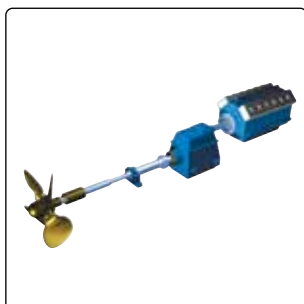
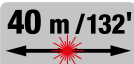
Easy-Laser® E950-B is primarily designed for propeller shaft installations on ships with stern tubes, support bearings, gearboxes and engines.

Easy-Laser® E950 makes checking and aligning bearings and bearing journals easier thanks to wireless detectors and versatile brackets. A large colour display with clear graphics and software that guides the user through the entire measurement process contributes to simple operation. The system automatically calculates the bearing journals positions in relation to each other, both horizontally and vertically. You can then evaluate the results directly on-site with different calculation methods such as Best fit around zero and Waviness. It is also possible to analyse the different choices of reference points and set the offset and tolerance values.

A great feature is the check of ovality, for example, to analyse the wear rate. The measurement system takes care of all these complicated calculations for you. You measure and align both full and half bearing journals with equal simplicity. The wireless detector eliminates uncertain factors such as cable pull. All parts are designed for maximum accuracy and stability, and measure with a resolution of 0.001 mm [0.05 mils]. Measurement distance up to 40 m [130 feet]. The included aluminium beams for the laser transmitter bracket are 1100 mm [43.31"] (main beam) and 500 mm [19.86"] (vertical support beam). Easy-Laser® E950 is suitable for use both in production and out in the field.

Also straightness of shafts and coupling alignment

With the systems, you can also measure the straightness of shafts, foundations, etc. without any additional accessories. With the measuring devices for shaft alignment (accessories), you have the most complete measurement system to align the entire drive train on the market. Programs for all types of measurements are included as standard, you then adapt the measurement system with brackets and detectors for your needs now and in the future.



A complete system contains:

- 12-0418 1 Display unit E-series E51
- 12-0075 1 Laser transmitter D75
- 12-0752 1 Detector E7
- 12-0436 1 Wireless unit
- 12-0074 1 Cable 2 m
- 12-0108 1 Cable 5 m, extension
- 12-0661 1 Offset hub for Laser transmitter
- 12-0385 1 Laser transmitter bracket for sterntube
- 12-0341 1 Self centering detector bracket for Ø300–500 mm
- 12-0588 1 Large target E-series
- 12-0013 1 Magnet base
- 12-0059 1 Set of rods (4x60 mm)
- 01-0938 2 Rods 30 mm
- 01-0873 4 Rods 120 mm
- 01-0044 2 Rods 240 mm
- 12-0495 1 Shoulder strap for Display unit
- 05-0685 1 Manual (Note: Refers to English manual)
- 03-0842 1 Measuring tape 5 m
- 03-0914 1 USB Memory stick with documentation
- 03-0822 1 USB Cable
- 03-1243 1 Battery charger (100–240 V AC)
- 03-0967 1 Hexagon wrench set
- 03-0878 1 Cleaning cloth for optics
- 12-0685 1 Carrying case Linebore B

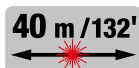
Examples of accessories:

- 12-0618 1 Battery pack with wireless technology
- 12-0434 1 Measuring unit M
- 12-0433 1 Measuring unit S
- 12-0016 1 V-bracket with chain
- 01-1165 1 Offset bracket
- 12-0187 1 Magnetic bracket for D75
- 12-0282 1 Set of extension arms
- 12-0597 1 Splitter box
- 03-1004 1 Thermal printer
- 12-0022 1 Laser transmitter D22
- 12-0455 1 Slide bracket Min. Ø120 mm
- 12-0543 1 Slide bracket Min. Ø200 mm
- 12-0510 1 Slide bracket Min. Ø300 mm
- 03-0769 1 Aluminium extension beam L=500 mm
- 03-0770 1 Aluminium extension beam L=600 mm
- 03-0771 1 Aluminium extension beam L=1100 mm

Note: always check number of items included for each Part No. before ordering.

Complete system:

Weight: 27.0 kg [59.5 lbs]
 WxHxD: 1220x460x170 mm [48.0x18.1x6.7"]



Easy-Laser® E950-C Bore alignment

Part No: 12-0772

Bore alignment with the highest reliability and precision

Easy-Laser® E950-C is primarily designed for diesel engines, compressors, gearboxes and similar applications. This system is much like the E950-A, but has for example instead the round detector E9. One of the brackets has a width of 25 mm [0.99"] to fit in narrow bearing journals. Measures bores diameter 80–500 mm [3.15–19.68"] as standard, and down to 50 mm [2.00"] with customized brackets.

Easy-Laser® E950 makes checking and aligning bearings and bearing journals easier thanks to wireless detectors and versatile brackets. A large colour display with clear graphics and software that guides the user through the entire measurement process contributes to simple operation. The system automatically calculates the bearing journals positions in relation to each other, both horizontally and vertically. You can then evaluate the results directly on-site with different calculation methods such as Best fit around zero and Waviness. It is also possible to analyse the different choices of reference points and set the offset and tolerance values.

A great feature is the check of ovality, for example, to analyse the wear rate. The measurement system takes care of all these complicated calculations for you. You measure and align both full and half bearing journals with equal simplicity. The wireless detector eliminates uncertain factors such as cable pull. All parts are designed for maximum accuracy and stability, and measure with a resolution of 0.001 mm [0.05 mils]. Measurement distance up to 40 m [130 feet]. Easy-Laser® E950 is suitable for use both in production and out in the field.

Also straightness of shafts and coupling alignment

With the systems, you can also measure the straightness of shafts, foundations, etc. without any additional accessories. With the measuring devices for shaft alignment (accessories), you have the most complete measurement system to align the entire drive train on the market. With additional accessories extruder machines can also be measured. Programs for all types of measurements are included as standard, you then adapt the measurement system with brackets and detectors for your needs now and in the future.

A complete system contains:

- 12-0418 1 Display unit E-series E51
- 12-0075 1 Laser transmitter D75
- 12-0759 1 Detector E9, 2-axis
- 12-0074 1 Cable 2 m
- 12-0108 1 Cable 5 m, extension
- 12-0661 1 Offset hub for Laser transmitter
- 12-0384 1 Set of offset hub arms for diameters 100–500 mm
- 12-0154 1 Set of magnets for offset hub arms
- 12-0990 1 Adjustable magnet for offset hub arms
- 12-0768 1 Slide bracket, Width 25 mm, Min. Ø80 mm
- 12-0767 1 Rod adapter with built in target
- 12-0455 1 Slide bracket Min. Ø120 mm
- 12-0543 1 Slide bracket Min. Ø200 mm
- 12-0510 1 Slide bracket Min. Ø300 mm
- 12-0013 1 Magnet base
- 12-0059 1 Set of rods (4x60 mm)
- 01-0938 2 Rods 30 mm
- 01-0873 4 Rods 120 mm
- 01-0044 2 Rods 240 mm
- 12-0495 1 Shoulder strap for Display unit
- 05-0685 1 Manual (Note: Refers to English manual)
- 03-0842 1 Measuring tape 5 m
- 03-0914 1 USB Memory stick with documentation
- 03-0822 1 USB Cable
- 03-1243 1 Battery charger (100–240 V AC)
- 03-0967 1 Hexagon wrench set
- 03-0878 1 Cleaning cloth for optics
- 12-0782 1 Carrying case

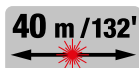
Examples of accessories:

- 12-0553 1 Bore bracket adapter plate
- 12-0314 1 Detector arms Linebore
- 12-0343 1 Slide bracket Min. Ø100 mm
- 12-0752 1 Detector E7 reference detector
- 12-0436 1 Wireless unit
- 01-0777 1 Tube adapters (manufactured on request to specified diameter)
- 12-0214 1 Set of extension rods for Tube measurements
- 12-0434 1 Measuring unit EM
- 12-0433 1 Measuring unit ES
- 12-0016 1 V-bracket with chain
- 01-1165 1 Offset bracket
- 12-0187 1 Magnetic bracket for D75
- 12-0282 1 Set of extension arms
- 12-0580 1 Axial extension arms
- 12-0597 1 Splitter box
- 03-1004 1 Thermal printer
- 12-0022 1 Laser transmitter D22

Note: always check number of items included for each Part No. before ordering.

Complete system:

Weight: 14.3 kg [31.5 lbs]
 WxHxD: 550x450x210 mm [21.6x17.7x8.3"]



Easy-Laser® E950-D Bore alignment

Part No: 12-0954

Bore alignment with the highest reliability and precision

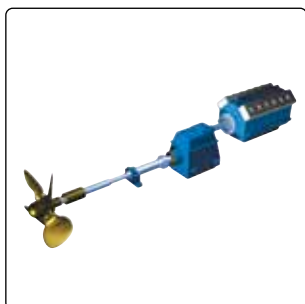
Easy-Laser® E950-D is primarily designed for propeller shaft installations on ships with stern tubes, support bearings, gearboxes and engines.

Easy-Laser® E950 makes checking and aligning bearings and bearing journals easier thanks to wireless detectors and versatile brackets. A large colour display with clear graphics and software that guides the user through the entire measurement process contributes to simple operation. The system automatically calculates the bearing journals positions in relation to each other, both horizontally and vertically. You can then evaluate the results directly on-site with different calculation methods such as Best fit around zero and Waviness. It is also possible to analyse the different choices of reference points and set the offset and tolerance values.

A great feature is the check of ovality, for example, to analyse the wear rate. The measurement system takes care of all these complicated calculations for you. You measure and align both full and half bearing journals with equal simplicity. The wireless detector eliminates uncertain factors such as cable pull. All parts are designed for maximum accuracy and stability, and measure with a resolution of 0.001 mm [0.05 mils]. Measurement distance up to 40 m [130 feet]. Easy-Laser® E950 is suitable for use both in production and out in the field.

Also straightness of shafts and coupling alignment

With the systems, you can also measure the straightness of shafts, foundations, etc. without any additional accessories. With the measuring devices for shaft alignment (accessories), you have the most complete measurement system to align the entire drive train on the market. Programs for all types of measurements are included as standard, you then adapt the measurement system with brackets and detectors for your needs now and in the future.



A complete system contains:

- 12-0418 1 Display unit E-series E51
- 12-0075 1 Laser transmitter D75
- 12-0752 1 Detector E7
- 12-0436 1 Wireless unit
- 12-0074 1 Cable 2 m
- 12-0108 1 Cable 5 m, extension
- 12-0661 1 Offset hub for Laser transmitter
- 12-0707 1 Arm kit with magnets
- 12-0990 1 Adjustable magnet for offset hub arms
- 12-0282 1 Extension arms Linebore
- 12-0341 1 Self centering detector bracket for $\varnothing 300\text{--}500$ mm
- 12-0588 1 Large target E-series
- 12-0495 1 Shoulder strap for Display unit
- 05-0685 1 Manual (Note: Refers to English manual)
- 03-0842 1 Measuring tape 5 m
- 03-0914 1 USB Memory stick with documentation
- 03-0822 1 USB Cable
- 03-1243 1 Battery charger (100–240 V AC)
- 03-0792 1 Toolbox
- 03-0967 1 Hexagon wrench set
- 03-0878 1 Cleaning cloth for optics
- 12-0986 1 Carrying case Linebore D

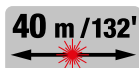
Examples of accessories:

- 12-0618 1 Battery pack with wireless technology
- 12-0823 1 E30 Long Range laser
- 12-0434 1 Measuring unit M
- 12-0433 1 Measuring unit S
- 12-0016 1 V-bracket with chain
- 01-1165 1 Offset bracket
- 12-0187 1 Magnetic bracket for D75
- 12-0282 1 Set of extension arms
- 12-0597 1 Splitter box
- 03-1004 1 Thermal printer
- 12-0022 1 Laser transmitter D22
- 12-0455 1 Slide bracket Min. $\varnothing 120$ mm
- 12-0543 1 Slide bracket Min. $\varnothing 200$ mm
- 12-0510 1 Slide bracket Min. $\varnothing 300$ mm

Note: always check number of items included for each Part No. before ordering.

Complete system:

Weight: 18.3 kg [40.3 lbs]
 WxHxD: 550x450x210 mm [21.6x17.7x8.3"]



Easy-Laser® E930 Extruder alignment

Part No: 12-0788

For aligning extrusion machines

Easy-Laser® E930 is designed to measure straightness and pointing direction, primarily on extruder barrels. Another application can be hydraulic pipes for example. With the system, barrels with diameters from 50 mm to 250 mm can be measured. The actual measurable length depends on the diameter and type of barrel, therefore always consult your Easy-Laser representative for further discussions. The transmitter's laser beam can be compared to an absolutely straight and weightless ruler, that is to say a perfect starting point for precision measurement.

During the alignment procedure both detector and spindle are rotated, thus self calibrating the system. This way you can determine how the centre line of the spindle is, relative to the tube's centre at the inlet end.

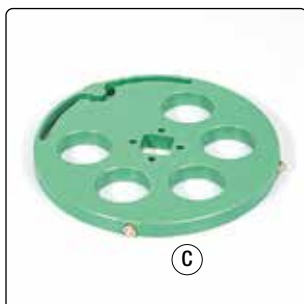
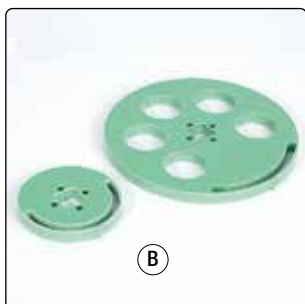
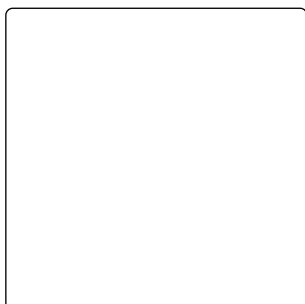
Document your measurement results

The detector's measurement value is transferred to the display unit wirelessly, which means that you can measure more freely. The measurement system has programs that guide you step-by-step, using clear graphics on a large 5.7" colour screen. You can also produce full documentation for your measurement job, with direct generation of PDF reports, and database programs for PC for example.

Complete system with all the measuring programs

Easy-Laser® E930 is a complete system in itself, with laser transmitter, detector and display unit. You can also add other parts from our extensive range to build a system that suits your specific needs and requirements, because all the measurement programs are included as standard. For example add shaft alignment equipment for other rotating machines, and lasers for flatness measurement.

- A. Detector with tube brackets mounted
- B. The brackets are manufactured on order to specified diameter
- C. Special brackets with metal points available on request.



A complete system contains:

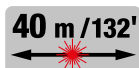
- 12-0418 1 Display unit E-series E51
- 12-0075 1 Laser transmitter D75
- 12-0759 1 Detector E9
- 12-0074 1 Cable 2 m
- 12-0108 1 Cable 5 m, extension
- 12-0187 1 Bracket for D75 with magnets
- 01-0777 (1) Set of brackets for detector (Single barrel)
- 01-2222 (1) Set of brackets for detector (Dual barrel)
- 12-0792 1 Set of extension rods for detector (6.3 m)
- 12-0810 1 Target for extruder
- 12-0495 1 Shoulder strap for Display unit
- 05-0685 1 Manual (Note: Refers to English manual)
- 03-0842 1 Measuring tape 5 m
- 03-0914 1 USB Memory stick with documentation
- 03-0822 1 USB Cable
- 03-1243 1 Battery charger (100–240 V AC)
- 03-0967 1 Hexagon wrench set
- 03-0878 1 Cleaning cloth for optics
- 12-0811 1 Carrying case

(1)=Included depending on customer choice.

Examples of accessories:

- 12-0767 1 Rod adapter with built in target
- 12-0022 1 Laser transmitter D22
- 12-0436 1 Wireless unit
- 12-0434 1 Measuring unit EM
- 12-0433 1 Measuring unit ES
- 12-0016 1 V-bracket with chain
- 12-0013 1 Magnet base
- 12-1011 1 Magnetic bracket
- 12-1012 1 Thin shaft bracket
- 12-1010 1 Sliding bracket
- 01-1165 1 Offset bracket
- 12-0125 1 Cardan bracket
- 12-0553 1 Bore bracket adapter plate
- 12-0314 1 Detector arms Linebore
- 12-0597 1 Splitter box
- 03-1004 1 Thermal printer

Note: always check number of items included for each Part No. before ordering.



Easy-Laser® E920 Geometric

Part No: 12-0771

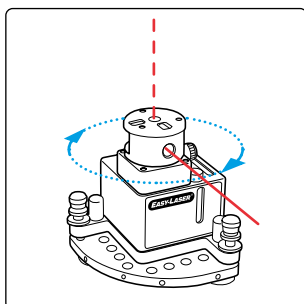
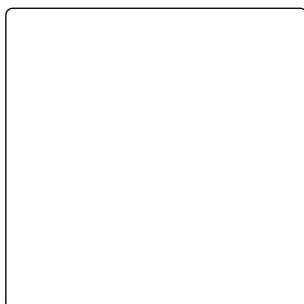
Measurement system for all types of geometric measurement

This system can be used to carry out all the most common geometric measurements; straightness, flatness, squareness, plumb and level. Measurement is quick and precise. Displayed resolution is 0.001 mm [0.05 mils]. The laser transmitter is our well known big seller, the D22 with levelling table, strong magnetic feet, and a range of up to 40 m. The transmitter's laser beam can be compared to an absolutely straight and weightless ruler, that is to say a perfect starting point for precision measurement. The swivelling laser head gives a laser plane parallel to the measured object and can also angle the laser beam 90° to the sweep for squareness measurement.

The display unit has a large and clear 5.7" colour screen. The programs guide you step-by-step through the measuring process, which makes it easy even for inexperienced users. The system can provide full documentation, with direct generation of PDF reports, and database programs for PC for example. The detector transfers the measurement data to the display unit wirelessly, or by cable if required. The advantages of wireless are especially clear on mechanical constructions and objects where cables can snag or get in the way.

The most common method is to fix the laser transmitter to the measurement object using the mounting magnets, or mounting it on a tripod (accessory) to one side. A pin is also provided to secure the laser transmitter to a machine spindle or equivalent, to check straightness and spindle alignment for example.

Easy-Laser® E920 is a complete system in itself, with laser transmitter, detector and display unit. But it is also an excellent starting point for creating a measurement system that suits your specific needs and requirements, because all the measurement programs are included as standard! Add extra laser transmitters, measuring units and brackets as well as other accessories from the wide Easy-Laser® range. Now or in the future.



A complete system contains:

- 12-0418 1 Display unit E51
- 12-0022 1 Laser transmitter D22 incl. tilt table
- 12-0752 1 Detector E7
- 12-0436 1 Wireless unit
- 12-0074 1 Cable 2 m
- 12-0108 1 Cable 5 m, extension
- 01-1333 1 Machine/magnet base pin for D22
- 12-0045 1 Magnet base with turnable head
- 12-0544 2 Targets for rough alignment
- 01-1165 1 Offset bracket
- 01-0043 6 Rods 60 mm
- 01-0873 6 Rods 120 mm
- 12-0915 1 Safety strap for laser transmitter
- 05-0685 1 Manual (Note: Refers to English manual)
- 03-0842 1 Measuring tape 5 m
- 03-0914 1 USB memory stick with documentation
- 03-0822 1 USB cable
- 03-1243 1 Battery charger (100–240 V AC)
- 03-0967 1 Hexagon wrench set
- 12-0495 1 Shoulder strap for Display unit
- 03-0878 1 Cleaning cloth for optics
- 12-0781 1 Carrying case

Examples of accessories:

- 12-0759 1 Detector E9, 2-axis
- 12-1053 1 XT190 BTA
- 12-0618 1 Battery pack with wireless technology
- 12-0434 1 Measuring unit EM
- 12-0433 1 Measuring unit ES
- 12-0016 1 V-bracket with chain
- 01-1165 1 Offset bracket
- 12-0597 1 Splitter box
- 03-1004 1 Thermal printer
- 12-0455 1 Slide bracket Min. Ø120 mm
- 12-0543 1 Slide bracket Min. Ø200 mm
- 12-0510 1 Slide bracket Min. Ø300 mm
- 12-0269 1 Tripod
- 12-1136 1 Angular prism
- 01-2232 1 Tripod adaptor for Angular prism

Note: always check number of items included for each Part No. before ordering.

Complete system:

Weight: 12.3 kg [27.1 lbs]
 WxHxD: 550x450x210 mm [21.6x17.7x8.3"]

Easy-Laser® E915 Flange Spin

Part No: 12-0526

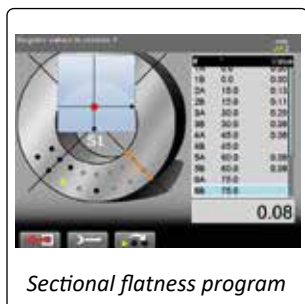
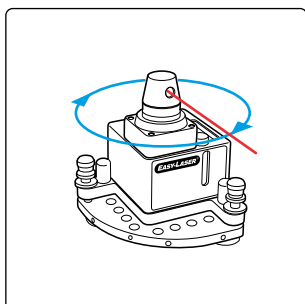
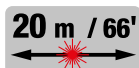
Measure flatness easily with spinning laser

This system is mainly for wind turbine tower producers who want to measure flatness of flanges. Similar applications can be e.g. slewing bearings. You can see the result as a true 3D image in the display unit directly after measuring. Then evaluate the result easily with different calculation settings, for example three point reference, best fit or all positive. This can also be done directly on site without having to stop to go to a PC with separate analysis programs, which was the case previously. This makes production much more efficient.

The system includes laser transmitter D23 Spin with power rotating head. This is how it works in brief: The laser beam from the transmitter rotates constantly and creates a reference plane over the entire measurement object. Measurements are performed quicker as you do not have to align the beam for each new measurement position. You place the detector at the desired measurement points and register the reading by a push of a button. In principle, one person can perform the measurement themselves. It is then possible to generate a PDF report containing graphs and measurement data directly from the measurement system's display unit. All information about the measurement object is documented.

Includes the sectional measurement flatness program*. A tower section with diameter over 4 meters represents a significant weight. This weight causes the flanges to deform when the sections are manufactured. With sectional measurement program the flatness is measured in four sections which are mathematically merged into a full circle, which solves this measurement problem. The program also makes it possible to perform the complete measurement on ground. No climbing on ladders or skylift is therefore required. With traditional methods the operator has to work on hazardous high levels, and often more men are needed.

*The sectional measurement flatness program is patented in Sweden, Germany, China and USA.



Sectional flatness program

A complete system contains:

- 12-0418 1 Display unit E-series E51
- 12-0168 1 Laser transmitter D23 incl. tilt table
- 12-0509 1 Detector E5
- 12-0436 1 Wireless unit
- 12-0074 1 Cable 2 m
- 12-0108 1 Cable 5 m, extension
- 12-0321 1 Cable support
- 12-0544 3 Targets for rough alignment
- 12-0045 1 Magnet base with turnable head
- 01-0043 6 Rods 60 mm
- 01-0873 6 Rods 120 mm
- 12-0495 1 Shoulder strap for Display unit
- 12-0915 1 Safety strap for laser transmitter
- 05-0400 1 Manual (Note: Refers to English manual)
- 05-0545 1 Quick manual (Note: Refers to English manual)
- 03-0842 1 Measuring tape 5 m
- 03-0914 1 USB Memory stick with documentation
- 03-0822 1 USB Cable
- 03-1243 1 Battery charger (100–240 V AC)
- 03-0967 1 Hexagon wrench set
- 03-0878 1 Cleaning cloth for optics
- 12-0781 1 Carrying case

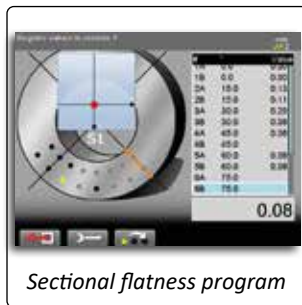
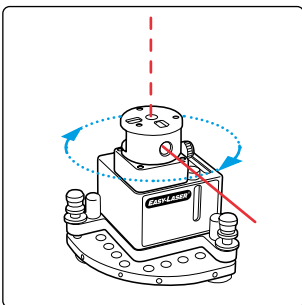
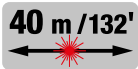
Examples of accessories:

- 12-0618 1 Battery pack with wireless unit
- 12-0434 1 Measuring unit EM
- 12-0433 1 Measuring unit ES
- 12-0016 1 V-bracket with chain
- 01-1165 1 Offset bracket
- 12-0597 1 Splitter box
- 03-1004 1 Thermal printer
- 12-0455 1 Slide bracket Min. Ø120 mm
- 12-0543 1 Slide bracket Min. Ø200 mm
- 12-0510 1 Slide bracket Min. Ø300 mm

Note: always check number of items included for each Part No. before ordering.

Complete system:

Weight: 12.1 kg [26.7 lbs]
 WxHxD: 550x450x210 mm [21.6x17.7x8.3"]



Easy-Laser® E910 Flange

Part No: 12-0525

Measurement system for flange measurements

This system is mainly for wind turbine tower producers who want to measure flatness and parallelism of flanges. Similar applications can be e.g. slewing bearings. You can see the result as a true 3D image in the display unit directly after measuring. Then evaluate the result easily with different calculation settings, for example three point reference, best fit or all positive. This can also be done directly on site without having to stop to go to a PC with separate analysis programs, which was the case previously. This makes production much more efficient.

The system includes laser transmitter D22 with manual rotatable head, and with the option of deflecting the laser beam 90°. With a few more accessories the system can also be used to check the parallelism of the two tower flanges. In the measurement system's display unit it is possible to generate a PDF report containing graphs and measurement data. All information about the measurement object is documented.

Includes the sectional measurement flatness program*. A tower section with diameter over 4 meters represents a significant weight. This weight causes the flanges to deform when the sections are manufactured. With sectional measurement program the flatness is measured in four sections which are mathematically merged into a full circle, which solves this measurement problem. The program also makes it possible to perform the complete measurement on ground. No climbing on ladders or skylift is therefore required. With traditional methods the operator has to work on hazardous high levels, and often more men are needed.

**The sectional measurement flatness program is patented in Sweden, Germany, China and USA.*

A complete system contains:

- 12-0418 1 Display unit E-series E51
- 12-0022 1 Laser transmitter D22 incl. tilt table
- 12-0752 1 Detector E7
- 12-0436 1 Wireless unit
- 12-0074 1 Cable 2 m
- 12-0108 1 Cable 5 m, extension
- 12-0321 1 Cable support
- 12-0544 3 Targets for rough alignment
- 12-0045 1 Magnet base with turnable head
- 01-0043 6 Rods 60 mm
- 01-0873 6 Rods 120 mm
- 12-0495 1 Shoulder strap for Display unit
- 12-0915 1 Safety strap for laser transmitter
- 05-0400 1 Manual (Note: Refers to English manual)
- 05-0545 1 Quick manual (Note: Refers to English manual)
- 03-0842 1 Measuring tape 5 m
- 03-0914 1 USB Memory stick with documentation
- 03-0822 1 USB Cable
- 03-1243 1 Battery charger (100–240 V AC)
- 03-0967 1 Hexagon wrench set
- 03-0878 1 Cleaning cloth for optics
- 12-0781 1 Carrying case

Examples of accessories:

- 12-0618 1 Battery pack with wireless unit
- 12-0434 1 Measuring unit EM
- 12-0433 1 Measuring unit ES
- 12-0016 1 V-bracket with chain
- 01-1165 1 Offset bracket
- 12-0597 1 Splitter box
- 03-1004 1 Thermal printer
- 12-0455 1 Slide bracket Min. Ø120 mm
- 12-0543 1 Slide bracket Min. Ø200 mm
- 12-0510 1 Slide bracket Min. Ø300 mm
- 12-0269 1 Tripod
- 12-1136 1 Angular prism
- 01-2232 1 Tripod adaptor for Angular prism

Note: always check number of items included for each Part No. before ordering.

Complete system:

Weight: 12.1 kg [26.7 lbs]
 WxHxD: 550x450x210 mm [21.6x17.7x8.3"]

[This page is left blank intentionally]



GENERATION XT

A DECLARATION OF INDEPENDENCE



Easy-Laser® XT11 was awarded the iF DESIGN AWARD 2017 and Red Dot 2018 for its design, ergonomics and innovative features.



ALL XT PROGRAMS IN ONE FREE APP

All XT measurement programs in one straightforward application available for free. Functionality for iOS, Android and Easy-Laser® XT display units.



NO LOCK-INS

Buy with or without the user-friendly, shockproof and waterproof Easy-Laser® XT11 display unit. Awarded both the RedDot2018 and IF Design 2017 for its ergonomics, features and looks.



MAXIMUM FLEXIBILITY AND TRAINABILITY!

Purchase multiple systems with various capabilities, train once! The training costs are minimized significantly since the app interface and basic functionality is identical for all systems.



LONG OPERATING TIMES

The long operating times of up to 16 hours for the Display unit and 24 hours for the Measuring units mean even the toughest jobs will be finished on time with no interruptions.

- XT770**
- XT660**
- XT550**
- XT440**
- XT280**
- XT190**



12-1095

Easy-Laser® XT770 Shaft

Part No: See below. Four combinations available.

Multi-platform alignment system

Easy-Laser® XT770 is a crossover multi-platform system. The system runs on your iOS and Android unit¹. You can also choose a complete system with our ergonomic and rugged, IP66/67 approved shock proof Easy-Laser® XT11 display unit. As standard a 13 MP camera for documentation is built-in. You can also add an IR camera to the XT11; shoot a thermal image before and after alignment and include with the documentation! The measuring units are also rugged and IP66/67 approved, featuring wireless technology, an integrated rechargeable battery and large 20x20 mm [0.79"x 0.79"] 2 axis TruePSD detectors and dot type laser technology. A built-in OLED display shows battery status and the angular value of the unit for easy positioning. Thanks to high capacity rechargeable batteries the operating times are very long: Display unit: 16 h, Measuring units: 24 h.



All functions are available in one app

Programs for alignment of horizontal, vertical/flange mounted machines, machine trains and cardan/offset mounted machines* plus EasyTrend for dynamic measurements* are included. Functions for soft foot check, thermal growth compensation and tolerance check. The XT70-M/S units allow for multipoint and continuous sweep measurements. They also support the 360°LIVE move feature. With the Twist measurement program you easily check the base flatness. The very versatile Values program, together with the dot-type laser technology adds functionality for e.g. checking bearing clearance. The built-in Users Manual opens the relevant chapter depending on where in the process you are. (*requires accessories)



Large case/Large case GEO



Large case

Geometric measurements

With the GEO kit added to your XT770 you will, using the Values or Basic Flatness program, be able to do flatness and straightness measurements with the highest reliability and precision.

¹Please see our web site for a complete list of which tablets we recommend: easylaser.com > lifecycle support > software download

**System with display unit,
Large case (Part No. 12-1095)**

Weight complete system: 11.9 kg [26.2 lbs]



**System without display unit,
Large case (Part No. 12-1096)**

Weight complete system: 10.4 kg [22.9 lbs]

**System with display unit and GEO Kit
Large case GEO (Part No. 12-1127)**

Weight complete system: 14.7 kg [32.4 lbs]



**System without display unit, with GEO Kit
Large case GEO (Part No. 12-1128)**

Weight complete system: 13.2 kg [29.1 lbs]



- 12-0961 (1) Display unit XT11
- 12-1045 1 Measuring unit XT70-M
- 12-1046 1 Measuring unit XT70-S
- 12-0963 2 Shaft bracket with chain and rods
- 12-1008 2 Offset bracket for XT-series
- 12-0013 2 # Magnet bases
- 12-1161 1 Set of Rods 4x75 mm
- 12-0987 1 Rods (4x120 mm)
- 12-1060 1 Extension chain (2x900 mm)
- 03-0824 1 Measuring tape 3 m
- 03-0967 1 Hexagon wrench set
- 03-1256 1 Battery charger (100–240 V AC)
- 12-0989 1 DC split cable for charging
- 12-0751 1 DC to USB adapter, for charging
- 12-0997 (1) Shoulder strap for display unit
- 05-0913 1 Quick manual (Note: Refers to English manual)
- 03-0878 1 Cleaning cloth for optics
- 03-0914 1 USB memory stick with documentation
- 04-0307 1 Set of QR code stickers
- 12-0991 1 Documentation folder
- 12-1049 (1) Carrying case Large
- 12-1132 (1) Carrying case Large GEO
WxHxD: 565x455x210 mm [22.2x17.9x8.2"]

(1) = Included depending on system Part No.

GEO Kit for XT includes:

- 12-0022 1 Laser transmitter D22
- 12-1133 1 Magnet base with turnable head (#replaces one of the regular magnet bases)
- 12-0987 1 Rods (4x120 mm)

Options for XT11: (Note! Cannot be retrofitted.)

- 12-0968 1 IR Camera added to XT11
- 12-0985 1 Camera (and LED light) removed from XT11

Examples of accessories for XT770:

- 12-1151 1 Cardan bracket kit
- 12-1130 1 Dynamic measurement brackets (complete kit)
- 12-1147 1 Magnetic bracket for XT-series
- 12-1012 1 Thin shaft bracket for XT-series
- 12-1010 1 Sliding bracket for XT-series
- 12-1161 1 Rods (4x75 mm)
- 12-0324 1 Rods (8x120 mm)
- 12-0060 1 Rods (4x240 mm)
- 12-1053 1 XT190 BTA Digital belt alignment tool
- 12-1090 1 XT280 Vibrometer

Note: Always check number of items included for each Part No. before ordering. Accessories not included in the specified system weight above.



12-1051/12-1052

1 AXIS
PSD

IP67

reddot design award
winner 2018

DESIGN
AWARD
2017

20 m / 66'

IP66



Easy-Laser® XT660 Shaft

Part No: See below. Four combinations available.

Multi-platform alignment system

Easy-Laser® XT660 is a crossover multi-platform system. The system runs on your iOS and Android unit¹. You can also choose a complete system with our ergonomic and rugged, IP66/67 approved shock proof Easy-Laser® XT11 display unit. As standard a 13 MP camera for documentation is built-in, and you can also choose to add an IR camera to the XT11; shoot a thermal image before and after alignment and include with the documentation!

The measuring units are also rugged and IP66/67 approved, featuring wireless technology, an integrated rechargeable battery and large 20x20 mm [0.79"x 0.79""] 1 axis TruePSD detectors and dot type laser technology. A built-in OLED display shows battery status and the angular value of the unit for easy positioning. Thanks to high capacity rechargeable batteries the operating times are very long: Display unit: 16 h, Measuring units: 24 h.

All functions are available in one app

Programs for alignment of horizontal, vertical/flange mounted machines and machine trains (3 machines) are included. Added to that are functions for soft foot check, thermal growth compensation and tolerance check. The XT60-M/S units allow for multipoint and continuous sweep measurements. With the Twist measurement program you easily check the base flatness. As always, Easy-Laser® comes with the very versatile Values program, which together with the dot-type laser technology adds functionality for e.g. checking bearing clearance. The app has a built-in Users Manual, which opens the relevant chapter depending on where in the process you are.

¹Please see our web site for a complete list of which tablets we recommend: easylaser.com > lifecycle support > software download

Note: the system can be delivered in two different carrying cases, model Large with space also for accessories. See pictures to the left.

**System with display unit,
Large case (Part No. 12-1052)**
Weight complete system: 9.8 kg [21.6 lbs]
(without accessories)



**System with display unit,
Medium case (Part No. 12-1051)**
Weight complete system: 7.2 kg [15.9 lbs]



**System without display unit,
Large case (Part No. 12-1059)**
Weight complete system: 8.2 kg [18.1 lbs]
(without accessories)

**System without display unit,
Medium case (Part No. 12-1058)**
Weight complete system: 5.8 kg [11.0 lbs]

- 12-0961 (1) Display unit XT11
 - 12-1028 1 Measuring unit XT60-M
 - 12-1029 1 Measuring unit XT60-S
 - 12-0963 2 Shaft bracket with chain and rods
 - 12-1161 1 Set of Rods 4x75 mm
 - 12-1060 1 Extension chain (2x900 mm)
 - 03-0824 1 Measuring tape 3 m
 - 03-0967 1 Hexagon wrench set
 - 03-1256 1 Battery charger (100–240 V AC)
 - 12-0989 1 DC split cable for charging
 - 12-0751 1 DC to USB adapter, for charging
 - 12-0997 (1) Shoulder strap for display unit
 - 05-0863 1 Quick manual (Note: Refers to English manual)
 - 03-0878 1 Cleaning cloth for optics
 - 03-0914 1 USB memory stick with documentation
 - 04-0307 1 Set of QR code stickers
 - 12-0991 1 Documentation folder
 - 12-0973 (1) Carrying case Medium
WxHxD: 460x350x175 mm [18.1x13.8x6.9"]
 - 12-1049 (1) Carrying case Large
WxHxD: 565x455x210 mm [22.2x17.9x8.2"]
- (1) = Included depending on system Part No.

Options for XT11: (Note! Cannot be retrofitted.)

- 12-0968 1 IR Camera added to XT11
- 12-0985 1 Camera (and LED light) removed from XT11

Examples of accessories for XT660:

- 12-0013 1 Magnet base (Note: offset bracket also needed.)
- 12-1008 1 Offset bracket for XT-series
- 12-1147 1 Magnetic bracket for XT-series
- 12-1012 1 Thin shaft bracket for XT-series
- 12-1010 1 Sliding bracket for XT-series
- 12-1161 1 Rods (4x75 mm)
- 12-0324 1 Rods (8x120 mm)
- 12-0060 1 Rods (4x240 mm)

Note: always check number of items included for each Part No. before ordering.



12-1097



Note! XT11 isn't ATEX approved.



Easy-Laser® XT550 Ex/ATEX Shaft

Part No: See below.

Intrinsically safe shaft alignment system

Easy-Laser® XT550 is designed for use in potentially explosive environments. You can choose a complete system with the zone 1 approved ECOM display unit. It has a 3 MP camera for documentation built-in. The XT Alignment app also runs on other iOS and Android units.^{1 2} The measuring units are rugged and IP66/67 approved, featuring wireless technology, an integrated rechargeable battery and large 20x20 mm [0.79"x 0.79"] 1 axis TruePSD detectors and dot type laser technology. A built-in OLED display shows battery status and the angular value of the unit for easy positioning. Using high capacity rechargeable batteries the operating times are very long; 20 hours.

All functions are available in one app

Programs for alignment of horizontal, vertical/flange mounted machines and machine trains are included. Added to that are functions for soft foot check, thermal growth compensation and tolerance check. The XT50-M/S units allow for multipoint and continuous sweep measurements. With the Twist measurement program you easily check the base flatness. As always, Easy-Laser® comes with the very versatile Values program, which together with the dot-type laser technology adds functionality for eg. checking bearing clearance. The app has a built-in Users Manual, which opens the relevant chapter depending on where in the process you are.

Note: the system can be delivered with or without the ECOM tablet.

For local purchase, find your ECOM reseller here:

<https://www.ecom-ex.com/company/locations/>

¹Please see our web site for a complete list of which tablets we recommend: easylaser.com > lifecycle support > software download

²For use in potentially explosive environments, the display device you use has to be at least approved for the same level of Ex/ATEX requirements as your work zone. Note that the XT11 isn't ATEX approved.

System with ECOM display unit,
Ex approved case (Part No. 12-1097)
Weight complete system: 8.4 kg [18.5 lbs]



System without display unit,
EX approved case (Part No. 12-1031)
Weight complete system: Weight: 6.9 kg [15.2 lbs]

- 12-1086 (1) Display unit ECOM Tab-Ex-01
- 12-1026 1 Measuring unit XT50-M Ex/ATEX
- 12-1027 1 Measuring unit XT50-S Ex/ATEX
- 12-1040 2 Shaft bracket Ex/ATEX, with chain and rods
- 12-1161 1 Set of Rods 4x75 mm
- 01-0873 2 Rods 120 mm
- 12-1038 2 Extension chain (900 mm)
- 03-0824 1 Measuring tape 3 m
- 03-0967 1 Rod tool
- 03-1256 1 Battery charger (100–240 V AC)
- 12-0989 1 DC split cable for charging
- 05-0889 1 Quick manual (Note: Refers to English manual)
- 03-0878 1 Cleaning cloth for optics
- 03-0914 1 USB memory stick with documentation
- 04-0307 1 Set of QR code stickers
- 12-1063 1 Carrying case
WxHxD: 450x300x180 mm [17.7x11.8x7.1"]

(1) = Included depending on system Part No.

Examples of accessories for XT550:

- 12-0013 1 Magnet base (Note: offset bracket also needed.)
- 12-1008 1 Offset bracket for XT-series
- 12-1147 1 Magnetic bracket for XT-series
- 12-1012 1 Thin shaft bracket for XT-series
- 12-1010 1 Sliding bracket for XT-series
- 12-1161 1 Rods (4x75 mm)
- 12-0324 1 Rods (8x120 mm)
- 12-0060 1 Rods (4x240 mm)

Note: always check number of items included for each Part No. before ordering.

CERTIFICATIONS:	CE
XT50 measuring units:	0470
EX certificate number: Presafe 17 ATEX 10552X, IECEx PRE 17.0049X	0102
EX classification: Ⓜ II 2 G Ex ib op is IIC T4 Gb, -10°C ≤ Ta ≤ +50°C	
ecom display unit:	
EX certificate number: Sira 15 ATEX 1205X, IECEx SIR 15.0075X	
EX classification: Ⓜ II 2 GD Ex db ia op is IIC T5 Gb, -20°C ≤ Ta ≤ +50°C	



12-0967

1 AXIS PSD IP67
 10 m / 33' IP66

Easy-Laser® XT440 Shaft

Part No: 12-0967 (with Display unit XT11, in medium sized case)

Part No: 12-0966 (without Display unit, in small case)

Multi-platform alignment system

Easy-Laser® XT440 is a crossover multi-platform system. The system runs on your iOS and Android unit¹. You can also choose a complete system with our ergonomic and rugged, IP66/67 approved shock proof Easy-Laser® XT11 display unit. As standard a 13 MP camera for documentation is built-in, and you can also choose to add an IR camera to the XT11; shoot a thermal image before and after alignment and include with the documentation!

The measuring units are also rugged and IP66/67 approved, featuring wireless technology, an integrated rechargeable battery and large 30 mm [1.2"] TruePSD detectors. A built-in OLED display shows battery status and the angular value of the unit for easy positioning. Thanks to high capacity rechargeable batteries the operating times are very long: Display unit: 16 h, Measuring units: 24 h.

All functions are available in one app

Programs for alignment of both horizontal and vertical machines are included. Added to that are functions for soft foot check, thermal growth compensation and tolerance check. As always, Easy-Laser® comes with the very versatile Values program. The app has a built-in Users Manual, which opens the relevant chapter depending on where in the process you are.

¹Please see our web site for a complete list of which tablets we recommend: easylaser.com > lifecycle support > software download

Note: the system is delivered in different carrying cases depending on if the Display unit is included or not. See pictures to the left.



Download on the **App Store**
 GET IT ON **Google Play**
 RUN IT ON **EASY-LASER XT11**



IR Camera is optional



Medium case

Small case

System with display unit (Part No. 12-0967):

- 12-0961 1 Display unit XT11
 - 12-0943 1 Measuring unit XT40-M
 - 12-0944 1 Measuring unit XT40-S
 - 12-0963 2 Shaft bracket with chain and rods
 - 12-1161 1 Set of Rods 4x75 mm
 - 03-0824 1 Measuring tape 3 m
 - 03-0967 1 Hexagon wrench set
 - 03-1256 1 Battery charger (100–240 V AC)
 - 12-0989 1 DC split cable for charging
 - 12-0751 1 DC to USB adapter, for charging
 - 12-0997 1 Shoulder strap for display unit
 - 05-0833 1 Quick manual (Note: Refers to English manual)
 - 03-0878 1 Cleaning cloth for optics
 - 03-0914 1 USB memory stick with documentation
 - 04-0307 1 Set of QR code stickers
 - 12-0991 1 Documentation folder
 - 12-0973 1 Carrying case Medium
- Weight complete system: 7.2 kg [15.9 lbs]
 WxHxD: 460x350x175 mm [18.1x13.8x6.9"]

Options for XT11: (Note! Cannot be retrofitted.)

- 12-0968 1 IR Camera added to XT11
- 12-0985 1 Camera (and LED light) removed from XT11

System without display unit (Part No. 12-0966):

- 12-0943 1 Measuring unit XT40-M
 - 12-0944 1 Measuring unit XT40-S
 - 12-0963 2 Shaft bracket with chain and rods
 - 12-1161 1 Set of Rods 4x75 mm
 - 03-0824 1 Measuring tape 3 m
 - 03-0967 1 Hexagon wrench set
 - 03-1256 1 Battery charger (100–240 V AC)
 - 12-0989 1 DC split cable for charging
 - 12-0751 1 DC to USB adapter, for charging
 - 05-0833 1 Quick manual (Note: Refers to English manual)
 - 03-0878 1 Cleaning cloth for optics
 - 03-0914 1 USB memory stick with documentation
 - 12-0972 1 Carrying case Small
- Weight complete system: 3.8 kg [8.4 lbs]
 WxHxD: 335x280x130 mm [13.2x11.0x5.1"]

Examples of accessories for XT440:

- 12-0013 1 Magnet base (Note: offset bracket also needed.)
- 12-1008 1 Offset bracket for XT-series
- 12-1147 1 Magnetic bracket for XT-series
- 12-1012 1 Thin shaft bracket for XT-series
- 12-1010 1 Sliding bracket for XT-series
- 12-1161 1 Rods (4x75 mm)
- 12-0324 1 Rods (8x120 mm)
- 12-0060 1 Rods (4x240 mm)
- 12-1060 1 Extension chain (2x900 mm). For diameters up to 450 mm [12.7"].

Note: always check number of items included for each Part No. before ordering.

Easy-Laser® E720 Shaft/Geo

Part No: 12-0955

The complete alignment solution

Easy-Laser® E720 gives you all the functions for shaft alignment plus the opportunity to check the machine base and any bearing play using the standard equipment. The system includes the very versatile laser transmitter D22.

Programs for Horizontal machines, soft foot checks, Machine trains, vertical/flange mounted and cardan/offset mounted* machines are included. Furthermore all geometry programs such as Straightness, Flatness/Twist and Parallelism measurement are included. Using accessories you can also align sheaves/pulleys with digital precision. No other system on the market can offer this flexibility!

The keys to the system flexibility and wide range of use are the measuring units with 2-axis TruePSD detectors and dual laser beams, and the laser transmitter D22. Together with the included measurement programs they make the Easy-Laser® E720 a Total Alignment Solution!

Large, clear colour screen, wireless measuring units (included as standard), long operating life and robust design give a measurement system that is both reliable and easy to use.

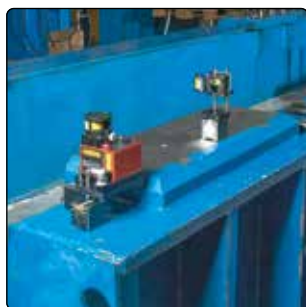
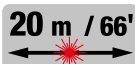
The measurement values can be registered with only 40° rotation of the shafts. You then align the machine "live" using the measuring units in any position around the shaft.

The display unit program is available in several different languages which facilitates use; English, German, French, Spanish, Portuguese, Swedish, Finnish, Russian, Polish, Dutch, Italian, Japanese, Korean and Chinese. Our unique Endurio™ power management system gives up to 30 hours of operating time for the display unit. Expandable for more measurement applications.

The case is pre-cut for accessories:

A. E290 Digital Precision Level

*Cardan bracket is optional equipment.



A complete system contains:

12-0418	1	Display unit E51
12-0433	1	Measuring unit ES
12-0434	1	Measuring unit EM
12-0436	2	Wireless units
12-0022	1	Laser transmitter D22
12-0074	2	Cables 2 m
12-0016	2	Shaft bracket with chain
12-0319	2	Extension chain
12-0013	1	Magnet base
12-0045	1	Magnet base with turnable head
01-1165	2	Offset bracket
12-1147	2	Magnetic bracket
12-0324	1	Set of Rods 8x120 mm
12-0059	1	Set of Rods 4x60 mm
05-0685	1	Manual (Note: Refers to English manual)
05-0486	1	Quick manual (Note: Refers to English manual)
03-0824	1	Measuring tape 3 m
03-0914	1	USB memory stick with documentation
03-0822	1	USB cable
03-1243	1	Battery charger (100–240 V AC)
03-0792	1	Toolbox
12-0495	1	Shoulder strap for Display unit
03-0878	1	Cleaning cloth for optics
12-0981	1	Carrying case

Examples of accessories:

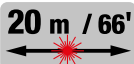
12-0846	1	E290 Digital Precision Level
12-1053	1	XT190 BTA
12-1012	1	Thin shaft bracket
12-1010	1	Sliding bracket
12-0615	1	Cardan bracket
12-0585	1	Charger 12–36V
12-0617	1	Battery pack
12-0618	1	Battery pack with wireless technology
12-0597	1	Splitter box
12-0059	1	Rods (4x60 mm)
12-0324	1	Rods (8x120 mm)
12-0060	1	Rods (4x240 mm)
12-1060	1	Extension chain (2x900 mm). For diameters up to 450 mm [12.7"].

Note: always check number of items included for each Part No. before ordering.

Complete system:

Weight: 14.8 kg [32.6 lbs]

WxHxD: 550x450x210 mm [21.6x17.7x8.3"]



Easy-Laser® E710 Shaft

Part No: 12-0440

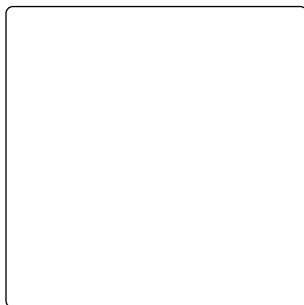
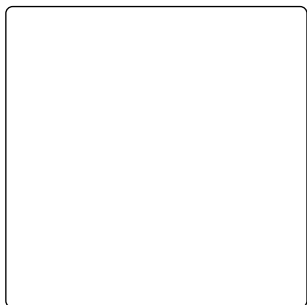
The measurement system for all stages of machine set-up

Easy-Laser® E710 gives you all the functions for shaft alignment plus the opportunity to check the machine base and any bearing play using the standard equipment! Programs for Horizontal machines, soft foot checks, Machine trains, vertical/flange mounted and cardan/offset mounted* machines are included. Furthermore programs for Straightness, Flatness/Twist and Parallelism measurement are included. Using accessories you can also align sheaves/pulleys with digital precision. No other system on the market can offer this flexibility! The keys to the system flexibility and wide range of use are the measuring units with 2-axis TruePSD detectors, and the dual laser beams. Together with the included measurement programs they make the Easy-Laser® E710 a Total Alignment Solution!

Large, clear colour screen, wireless measuring units (included as standard), long operating life and robust design give a measurement system that is both reliable and easy to use.

The measurement values can be registered with only 40° rotation of the shafts. You then align the machine "live" using the measuring units in any position around the shaft. The display unit program is available in several different languages which facilitates use; English, German, French, Spanish, Portuguese, Swedish, Finnish, Russian, Polish, Dutch, Italian, Japanese, Korean and Chinese. Our unique Endurio™ power management system gives up to 30 hours of operating time for the display unit. Expandable for more measurement applications.

**Cardan bracket is optional equipment.*



A complete system contains:

- 12-0418 1 Display unit E51
- 12-0433 1 Measuring unit ES
- 12-0434 1 Measuring unit EM
- 12-0436 2 Wireless units
- 12-0074 2 Cables 2 m
- 12-0016 2 Shaft bracket with chain
- 12-0319 2 Extension chain
- 12-0013 2 Magnet base
- 01-1165 2 Offset bracket
- 01-0873 4 Rods 120 mm
- 12-0059 1 Set of Rods 4x60 mm
- 05-0461 1 Manual (Note: Refers to English manual)
- 05-0486 1 Quick manual (Note: Refers to English manual)
- 03-0824 1 Measuring tape 3 m
- 03-0914 1 USB memory stick with documentation
- 03-0822 1 USB cable
- 03-1243 1 Battery charger (100–240 V AC)
- 03-0792 2 Toolbox
- 12-0495 1 Shoulder strap for Display unit
- 03-0878 1 Cleaning cloth for optics
- 12-0442 1 Carrying case

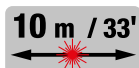
Examples of accessories:

- 12-1053 1 XT190 BTA
- 12-1147 1 Magnetic bracket
- 12-1012 1 Thin shaft bracket
- 12-1010 1 Sliding bracket
- 12-0615 1 Cardan bracket
- 12-0585 1 Charger 12–36V
- 12-0617 1 Battery pack
- 12-0618 1 Battery pack with wireless technology
- 12-0597 1 Splitter box
- 12-0059 1 Rods (4x60 mm)
- 12-0324 1 Rods (8x120 mm)
- 12-0060 1 Rods (4x240 mm)
- 12-1060 1 Extension chain (2x900 mm). For diameters up to 450 mm [12.7"].
- 12-0022 1 Laser transmitter D22

Note: always check number of items included for each Part No. before ordering.

Complete system:

Weight: 10.0 kg [22.0 lbs]
 WxHxD: 500x400x200 mm [19.7x15.7x7.9"]



Easy-Laser® E540 Shaft

Part No: 12-0775, E540-B (with Large case)

Part No: 12-1043, E540-A (with Small case)

Simple and efficient shaft alignment

Easy-Laser® E540 is a very powerful shaft alignment system, with the ideal balance between performance and price. The measuring units are incredibly compact featuring wireless technology, an integrated rechargeable battery and TruePSD detectors. This means that they are easy to install on most types of machines, even where there is limited space. The wireless technology gives you full freedom of movement around the machine that is to be aligned. Start with the measuring units positioned anywhere through 360° around the shaft, then take any three readings down to 20° in-between. Then adjust the machine with the live-values in both horizontal and vertical directions. Simple and efficient! Programs included: Horizontal, Vertical, 3-Machine train, Values, Belt transmission alignment.

Technology that gives the best performance

The shaft alignment system has a large 5.7", bright colour display. The measuring units have TruePSD-technology, which gives unlimited resolution. Twin laser beams, twin PSDs (30 mm [1.2"]) and twin inclinometers give you superb control of the measurement in all situations. Display unit, measuring units and fixtures are all very robust for the highest accuracy in demanding industrial environments.

Large expansion possibilities

It is possible to connect two very useful accessories to the system. Using XT190 BTA (Accessory) you can check and align sheaves and pulleys with digital precision.

The Large case (System E540-B) has pre-cut foam for accessories:

- A. Magnetic brackets kit
- B. Magnet bases (2 pcs)
- C. XT190 BTA (transmitter and detector)
- D. Offset brackets (2 pcs)



Small case



Built-in battery and wireless functionality.



Large case

System E540-A (Part No. 12-1043):

12-0700	1	Display unit E52
12-0777	1	Measuring unit ELS40
12-0776	1	Measuring unit ELM40
12-0016	2	Shaft bracket with chain
12-0319	2	Extension chain
01-0873	4	Rods 120 mm [4.72"]
12-0059	1	Set of Rods 4x60 mm [2.36"]
05-0689	1	Quick manual (Note: Refers to English manual)
03-0824	1	Measuring tape 3 m
03-0914	1	USB Memory stick with documentation
03-0822	1	USB cable
03-1243	1	Battery charger (100–240 V AC)
12-0989	1	DC charging cable
12-0751	1	DC to USB adapter
12-0495	1	Shoulder strap for Display unit
12-1025	1	Carrying case Small

System E540-B (Part No. 12-0775):

12-0700	1	Display unit E52
12-0777	1	Measuring unit ELS40
12-0776	1	Measuring unit ELM40
12-0016	2	Shaft bracket with chain
12-0319	2	Extension chain
01-0873	4	Rods 120 mm [4.72"]
12-0059	1	Set of Rods 4x60 mm [2.36"]
05-0689	1	Quick manual (Note: Refers to English manual)
03-0824	1	Measuring tape 3 m
03-0914	1	USB Memory stick with documentation
03-0822	1	USB cable
03-1243	1	Battery charger (100–240 V AC)
12-0989	1	DC charging cable
12-0751	1	DC to USB adapter
12-0495	1	Shoulder strap for Display unit
12-1020	1	Carrying case Large

Example of accessories:

12-1053	1	XT190 BTA
12-0074	1	Cable 2 m [78.7"]
12-0013	1	Magnet base
01-1165	1	Offset bracket
12-1147	1	Magnetic bracket
12-1012	1	Thin shaft bracket
12-1010	1	Sliding bracket
12-0585	1	Charger 12–36V
12-0597	1	Splitter box
12-0059	1	Rods (4x60 mm)
12-0324	1	Rods (8x120 mm)
12-0060	1	Rods (4x240 mm)
12-0128	1	Extension chain (2x900 mm)

Note: always check number of items included for each Part No. before ordering.

Complete system:

Weight: 6.6 kg [14.5 lbs]
WxHxD: 460x350x175 mm [18.1x13.8x6.9"]

Complete system:

Weight: 7.7 kg [17.0 lbs]
WxHxD: 500x400x200 mm [19.7x15.7x7.9"]

Easy-Laser® E420 Shaft

Part No: 12-0745

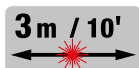
Entry level redefined!

The Easy-Laser® E420 has wireless measuring units, a large 5.7" colour display and an IP65-rated design that withstands harsh environments.

The measuring units are compact, featuring wireless technology, an integrated rechargeable battery and large 20 mm [0.78"] TruePSD detectors. This means that they are easy to install on most types of machines, even where there is limited space. The wireless technology gives you full freedom of movement around the machine that is to be aligned.

Programs for alignment of both horizontal and vertical machines are included. Added to that are functions for soft foot control, thermal growth compensation and tolerance control.

Pre-mounted units make it easy to install on the machine and the programs guide you step-by-step through the process. Start with the measuring units positioned anywhere on the shaft, recording three readings with as little as 20° of rotation between readings. Then adjust the machine with the live values, and save the measurements in the display unit memory. You can also transfer the results to the database EasyLink™ program (included) for PC.

**A complete system contains:**

12-0748	1	Display unit E53
12-0747	1	Measuring unit ELS20
12-0746	1	Measuring unit ELM20
12-0016	2	Shaft bracket with chain
12-0319	2	Extension chain
01-0873	4	Rods 120 mm
12-0059	1	Set of Rods 4x60 mm
05-0640	1	Quick manual (Note: Refers to English manual)
03-0914	1	USB memory stick with documentation
03-0824	1	Measuring tape 3 m
12-0989	1	DC charging cable
12-0751	1	DC to USB adapter
03-1243	1	Battery charger (100–240 V AC) for Display unit
03-1059	1	Carrying case

Examples of accessories:

12-0013	1	Magnet base
01-1165	1	Offset bracket
12-1147	1	Magnetic bracket
12-1012	1	Thin shaft bracket
12-1010	1	Sliding bracket
12-0585	1	Charger 12–36V
12-0059	1	Rods (4x60 mm)
12-0324	1	Rods (8x120 mm)
12-0060	1	Rods (4x240 mm)
12-0128	1	Extension chain (2x900 mm)

Note: always check number of items included for each Part No. before ordering.

Complete system:

Weight: 6.3 kg [13.9 lbs]

WxHxD: 500x415x170 mm [19.7x16.3x6.7"]

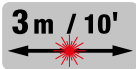


Easy-Laser® XT190 BTA digital Wireless

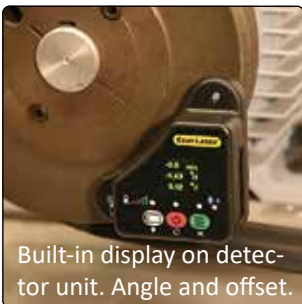
Part No: 12-1053

“Live” digital read outs on clear OLED display

The detector reads off the position in relation to the laser plane and digitally displays the parallel and angular misalignment “live” on the clear built-in OLED display. The accuracy of the reading means that you can be within the prescribed alignment tolerances and rely upon the result. With this system there is no need to move the detector to read horizontal respectively vertical values, which saves time and makes things easier. Suitable for most types of drive, such as V-belt, timing belt, flat belt and chain drives.



If you connect the detector wirelessly to a separate display unit, e.g. one of our shaft alignment systems, you can read and follow the alignment from where you are standing and making adjustments, instead of only where the detector is mounted. Then you can also set a tolerance and document the result of the alignment.

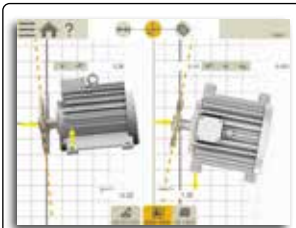


Built-in display on detector unit. Angle and offset.

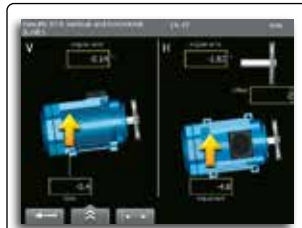


(Note 1: The XT190 detector unit connects to both the E- and XT-series display units. You can also use it with your iOS and Android phone/tablet. Please see our web site for compatible models.)

(Note2: There is no separate display unit included. The detector connects wireless to the E51, E52 and XT11 display units with Belt alignment program.)



XT app for XT11 and iOS/Android display units.



Belt alignment program for E51 and E52.

A complete system contains:

12-0309	1	Laser transmitter
12-1054	1	Detector unit with built-in display, wireless
12-0394	2	Targets
03-1243	1	Charger (100–240 V AC) and cable
03-0247	1	Battery R6 (AA) 1.5 V
03-0914	1	USB memory stick with documentation
05-0865	1	Quick manual (Note: Refers to English manual)
12-0804	1	Carrying case



Easy-Laser® D90 BTA

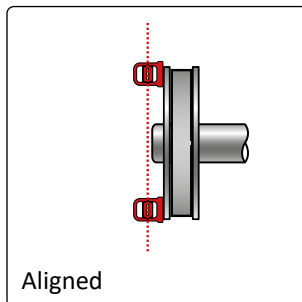
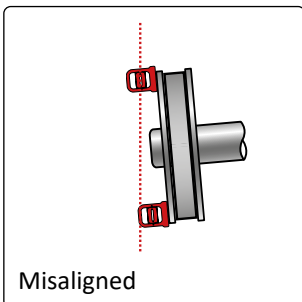
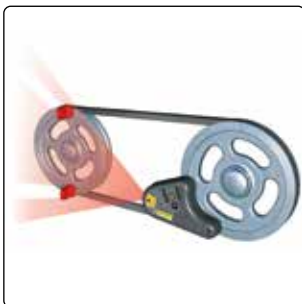
Part No: 12-0415

For quick and easy alignment of sheaves/pulleys

Easy-Laser® D90 is installed in a few seconds, and the laser line that is projected on the targets clearly shows how to adjust the machines. The tool has targets that can be read out “visually” and which give excellent degrees of accuracy that are sufficient for most users. If, in the future, you wish to have the option of digital readouts with the corresponding advantages, you can add a digital detector (see system XT190).

3m / 10'

D90 BTA is compact and light. Suitable for most types of drive, such as V-belt, timing belt, flat belt and chain drives.



A complete system contains:

12-0309	1	Laser transmitter
12-0394	2	Target
05-0352	1	Manual
03-0247	1	Battery R6 (AA) 1.5 V
03-0591	1	Padded cover



XT280 Vibrometer

Part No: 12-1090

FOR QUICK VIBRATION ANALYSIS

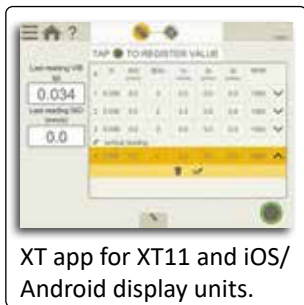
Easy-Laser® XT280 is an easy-to-use vibration monitoring and analysis tool that allows easy display of vibration signals. The XT280 automatically performs vibration analysis functions based on machine running speed to help diagnose faults such as unbalance, misalignment and looseness. The system is designed to enable you to take vibration measurements from assets like pumps, motors, fans and bearings. The unit displays vibration frequency plots and allows vibration severity and bearing condition to be monitored.



For documentation purpose, you can connect the XT280 to the XT Alignment App. Run the app on your phone or tablet*, or the XT11 display unit.

* Please see our web site for compatible models.

Built-in display.



A complete system contains:

- 12-1050 1 Vibrometer (with short tip)
- 05-0934 1 Quick manual
- 03-0914 1 USB memory stick with documentation
- 03-1336 1 Padded case

Examples of accessories:

- 03-1327 1 Accelerometer magnet
- 03-1326 1 Stinger (100 mm)

12-1143



12-1142

1 AXIS
PSD

10 m / 33'



Shaft alignment system for Vestas wind turbines

Part No: 12-1143 (Vestas 5/VT20025637)

Part No: 12-1142 (Vestas 6/VT20025635)

Part No: 12-1183 (Installation Kit Upgrade)

For shaft alignment with the rotor locked.

Large forces are in action in a wind turbine. The safety of the maintenance technicians is therefore of the utmost importance. With the Easy-Laser® shaft alignment system the generator and gearbox can be aligned with the coupling dismantled and the brake locked.

The Easy-Laser® Vestas shaft alignment systems consist of one general installation kit, one supplement kit for use on more turbines, plus one upgrade kit (or just the bushings, see below).

Installation kit, Wireless, Vestas 5.

Supplement Service kit, Vestas 6.

Installation Kit Upgrade

If you have an older system Vestas 4 you can upgrade this for use at MK3E.



A Vestas 5 system contains:

12-0700	1	Display unit E52
01-1379	1	Protective case for display unit E52
12-0777	1	Measuring unit ELS40, PSD 30 mm, inclinometer
12-0776	1	Measuring unit ELM40, PSD 30 mm, inclinometer
12-0712	5	Nut to adapters with magnet M6 V112
12-0714	4	Screw to Adapters V112, L=75mm
12-0713	2	Fixture Kit for V112
01-1520	4	Adaptor for fixture V112
03-0613	1	Distance gauge incl. adaptor, incl. fastening screw L=35mm
03-1034	1	Distance gauge incl. adaptor, incl. fastening screw L=55mm
01-2163	1	Bushings for MK3E / V150
01-2142	1	Bushings for MK3E / V150
01-2143	2	Washer for MK3E / V150
12-1140	2	Screw to bushings V150 L=45mm
12-0495	1	Strap to display unit
03-0914	1	USB memory stick 4GB
03-0822	1	USB cable A to B 1.8 m
03-1243	1	Battery charger (100-240 V AC) Lev. 6
12-0989	1	DC split cable for charging
12-0751	1	DC to USB adapter, for charging
03-1004	1	Printer Seiko DPU-S445, including charger, cable and USB
03-0824	1	Measurement tape 3m
05-0954	1	Manual E540 Vestas
12-1164	1	Carrying Case Vestas 5

Weight: 28 kg [61.7 lbs]

WxHxD: 670x600x220 mm [26.4x23.6x8.7]

A Vestas 6 system contains:

12-0703	1	Detector-fixture Generator flange
12-0297	2	Screw knob to Generator fixture M12
12-0298	2	Screw knob to Generator fixture M16
12-0718	1	Detector-fixture Gearbox flange
01-0815	3	Adapter for Gearbox fixture 25 mm
01-0816	3	Adapter for Gearbox fixture 24 mm
01-0817	3	Adapter for Gearbox fixture 22 mm
01-0818	3	Adapter for Gearbox fixture 17 mm
12-0296	3	Screw to adapters
12-0299	4	Nut to adapters with magnet M6
12-1165	1	Carrying case Vestas 6

Weight: 12.3 kg [27.1 lbs]

WxHxD: 570x470x220 mm [22.4x18.5x8.7]

A Vestas Laser Installation Upgrade Kit contains:

12-1154	1	Bushings for MK3E, set of 2 (VT20025636)
12-1164	1	Carrying case Vestas 5
12-1165	1	Carrying case Vestas 6

Shaft alignment system GA1 for wind turbines

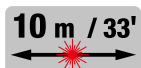
Part No: 12-1118 (Includes 12-1113+12-1114)

For shaft alignment with the rotor locked.

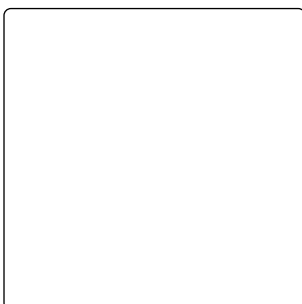
Large forces are in action in a wind turbine. The safety of the maintenance technicians is therefore of the utmost importance. With the Easy-Laser® shaft alignment system the generator and gearbox can be aligned with the coupling dismantled or in place. This system is designed especially for Gamesa turbines, and fits all their turbine sizes. The measurement programs are easy to learn and to use, and there are numerous options for documenting and saving the result of the work.

NOTE:

Complete system GA1, Part No. 12-1118 consist of Part No. 12-1113+12-1114, but still come in two separate carrying cases. 12-1113 and 12-1114 also sold separately.



Built-in battery and wireless functionality.



12-1118



System 12-1113 contains:

- 12-0700 1 Display unit E52
- 01-1379 1 Protective case for display unit
- 12-0777 1 Measuring unit ELS40
- 12-0776 1 Measuring unit ELM40
- 12-0016 1 Shaft bracket with chain
- 12-0626 1 Chain 900 mm complete
- 12-0059 1 Rods $\varnothing 10 \times 60$ mm, set of 4 pcs
- 01-0873 4 Rods $\varnothing 10 \times 120$ mm
- 12-0987 1 Rods $\varnothing 10 \times 120$ mm, set of 4 pcs
- 12-1147 1 Magnetbracket thin
- 01-1165 1 Offset bracket
- 03-0045 1 Screw MC6S M6x16 mm
- 05-0689 1 Quick manual
- 05-0809 1 Manual GA1
- 03-0824 1 Measuring tape 3.0 m
- 03-0914 1 USB memory stick 2GB
- 03-0822 1 USB cable A to B 1.8 m
- 03-1243 1 Battery charger (100-240 V AC)
- 12-0750 1 DC Split cable, for charging
- 12-0751 1 DC to USB adapter, for charging
- 03-0792 1 Toolbox
- 03-0967 1 Hexagon wrench set
- 01-0048 1 Rod tightening tool, 4 mm
- 12-0495 1 Strap to display unit
- 12-1020 1 Plastic carrying case for 12-1113

Weight: 8.0 kg [17.6 lbs]
WxHxD: 500x400x200 mm [19.7x15.7x7.9"]

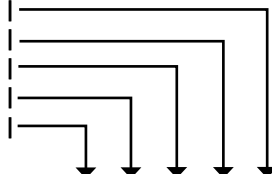
System 12-1114 contains:

- 12-0975 1 Detector-fixture Generator flange GA1
- 01-1889 2 Adapters to Generator flange GA1 M24
- 01-1892 2 Adapters to Generator flange GA1 $\varnothing 40$
- 01-1891 2 Adapters to Generator flange GA1 $\varnothing 31$
- 01-1890 2 Adapters to Generator flange GA1 $\varnothing 25$
- 12-0974 2 Screw to Adapters L=120mm
- 12-0712 2 Nut to adapters with magnet M6
- 12-0976 1 Detector-fixture Gearbox flange GA1
- 12-0977 3 Screw M24 for Gearbox fixture
- 12-0978 3 Screw M30 for Gearbox fixture
- 01-1884 3 Adapters for M24 Screw to Gearbox fixture
- 01-1885 3 Adapters for M30 Screw to Gearbox fixture
- 03-0613 1 Distance Gauge (coupling flanges), incl. adapter
- 03-1034 2 Ext. adapter distances gauge
- 12-1116 1 Plastic carrying case for 12-1114

Weight: 17.0 kg [37.5 lbs]
WxHxD: 565x455x210 mm [22.2x17.9x8.2"]



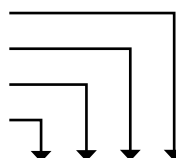
| E980 | E975 | E970 | E960 | E950 | E930 | E920 | E720 |
 | E710 |
 | E915 | E910 |
 | E540 |
 | E420 |



	E980	E975	E970	E960	E950	E930	E920	E720	E710	E915	E910	E540	E420
HORIZONTAL 9-12-3	●	●											
SOFT FOOT	●	●											
EASYTURN™	●	●											
MULTIPOINT HORIZONTAL SHAFT													
VERTICAL/FLANGE MOUNTED	●	●											
CARDAN													
MACHINE TRAIN													
MACHINE TRAIN (3 MACHINES)			●										
OFFSET AND ANGLE													
VALUES (Digital Dial Indicator) V 0.00 H 0.00	●	●	●	●	●	●	●	●	●	●	●	●	●
BELT TRANSMISSION ALIGNMENT			●										
STRAIGHTNESS 1-point													
STRAIGHTNESS 2-point (Centre of Circle)													
STRAIGHTNESS 4-point													
STRAIGHTNESS Multipoint													
STRAIGHTNESS 3-point (Half circle)													
ROUNDNESS/OVALITY MEASUREMENT													
SPINDLE DIRECTION													
SQUARENESS													
FLATNESS													
TWIST													
FLANGE FLATNESS													
FLANGE PARALLELISM													
PARALLELISM													



XT770	XT70-M/S
XT660	XT60-M/S
XT550	XT50-M/S
XT440	XT40-M/S



	HORIZONTAL 9-12-3	●	●	●	●
	MACHINE TRAIN (UNLIMITED)		●		●
	MACHINE TRAIN (3 MACHINES/2 COUPLINGS)		●	●	●
	SOFT FOOT	●	●	●	●
	EASYTURN™	●	●	●	●
	MULTIPOINT HORIZONTAL SHAFT		●	●	●
	CONTINUOUS SWEEP HORIZONTAL SHAFT		●	●	●
	WIDE LIVE Allows for live adjustment at larger angles, vertically and horizontally separately.	●	●	●	●
	360 LIVE Allows for live adjustment at any position, in both directions simultaneously.				●
	ADJUSTMENT GUIDE Simulate effects of shimming to decide optimum adjustment. For programs Horizontal and Machine train.				●
	VERTICAL/FLANGE MOUNTED	●	●	●	●
	CARDAN/OFFSET MOUNTED (NOTE: Requires the Cardan bracket kit.)				●
	VALUES (Digital Dial Indicator) V 0.00 H 0.00	●	●	●	●
	TWIST Check base twist and flatness with the M and S measuring units.		●	●	●
	BASIC FLATNESS Measure two rows of points, 2 to 8 at each. To be used with separate laser transmitter like the D22.				●
	EASYTREND™ Monitor and record machine movement over time.				●
	BELT TRANSMISSION ALIGNMENT (NOTE: The Belt alignment program requires XT190 BTA.)	●	●	●	●
	VIBRATION MEASUREMENT (NOTE: The Vibration measurement program requires XT280 VIB.)	●	●	●	●
	ONE FREE APP All measurement programs in one app. Available functionality based on which measuring unit is connected.	●	●	●	●
	SHARE FILES Share via email directly from your display unit.	●	●	●	●
	BUILT-IN HELP Searchable Users Manual which opens the relevant chapter depending where in the process you are.	●	●	●	●
	MULTI-LINGUAL The XT Alignment App is available in multiple languages: en / de / sv / es / pt / ru / ja / ko / zh / it / fr / pl	●	●	●	●
	DOT LASER TECHNOLOGY – 2 AXIS				●
	DOT LASER TECHNOLOGY – 1 AXIS		●	●	
	LINE LASER TECHNOLOGY	●			

EASYLINK™ PROGRAM

With EasyLink™ 3.0 you can save and organise all your measurements in one place, produce reports with both data and images and export to your maintenance systems. You can customise what your Excel reports should look like and what data should be visible and where it should be positioned. The program has a clear folder structure, where you drag and drop files from the display unit to the database, or vice versa if you wish to prepare a measurement before going out into the field to take measurements. Create your own structure with folders for manufacturer, department or machine type for example. With everything in one location you have a better overview of what actions have been carried out. The database can also be located on a common server and shared with other users. For extra safety you can use EasyLink™ to make backups of what you have saved in the E-series' display unit. You can also simulate adjustments and test corrective actions in the program without any risk of losing the original data. The program is supplied with all our measurement systems, but can also be downloaded by anyone for free.



System requirements: Windows® XP, Vista, 7, 8, 10. For the export function, Excel 2003 or newer must also be installed on the computer. EasyLink™ 3.0 functions with both the D and E series in Easy-Laser®. Not with the XT series.

Export formats: Excel, XML.



Download the program free of charge from www.easylaser.com.

Easy-Laser® Precision Level App for E290



| E290 |



	<p>PRECISION LEVEL</p> <p>Use your iPhone, iPod or iPad as display! With our free app Precision Level for the E290 you can follow the alignment from the place where you adjust the machine, and document your measurement.</p>	
--	--	---

Apple, the Apple logo, iPhone, and iPod touch are trademarks of Apple Inc., registered in the U.S. and other countries. App Store is a service mark of Apple Inc. Android, Google Play, and the Google Play logo are trademarks of Google Inc.



PARTS

| XT |



XT11 – Display unit for Generation XT

Part No: 12-0961

Description: Wireless display unit for Generation XT. Rugged design, shock proof, IP66 and IP67. Glove enabled touch screen. Water and dust proof connectors: USB A, USB B, HDMI, Charger.

Options: IR Camera (Part No. 12-0968), Camera removed for security reasons (Part No. 12-0985).

Note: Options cannot be retrofitted. Not approved for Ex/ATEX areas.



| XT |



ECOM Tab-Ex® – Display unit for Generation XT
Intrinsically safe, EX/ATEX approved

Part No: 12-1086

Description: Wireless display unit for Generation XT, especially the XT50-M/S Ex/ATEX approved shaft alignment measuring units. Rugged design, with glove enabled touch screen.

Note: For more detailed information, please see the ecom web site: <https://www.ecom-ex.com>

| E |



Display unit E-series: E51

Part No: 12-0418

Description: Available in different measurement program configurations. Which programs are available depends on in which system the display unit is included. Connectors: USB A, USB B, Easy-Laser® equipment, Charger.

Note: Dust and splash guard for connectors open on picture to the right. The look of the display unit keyboard can vary depending on market.

| E |



Display unit E-series: E52

Part No: 12-0700

Description: Available in different measurement program configurations. Which programs are available depends on in which system the display unit is included. Connectors: USB A, USB B, Easy-Laser® equipment, charger.

Note: Dust and splash guard for connectors removed on upper right picture.

| E |

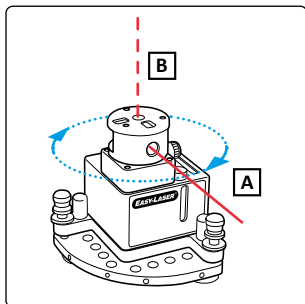


Display unit E-series: E53

Part No: 12-0748

Description: All wireless display unit for shaft alignment system. The unit can temporarily power measuring units ELS20/ELM20 via the USB connector as backup. Connectors: USB A, charger.

Note: Dust and splash guard for connectors removed on upper right picture. No connector for “red cable” equipment.

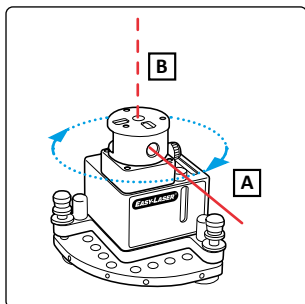


Laser transmitter D26 Swivel

Part No: 12-1064

Description: Laser transmitter D26 can be used to measure flatness, straightness, squareness and parallelism. Mainly for use in machine tool applications. The laser beam can sweep 360° with a measurement distance of up to 30 metres [100'] in radius. For specifications, please see *Technical specifications* at the end of this catalogue.

Note: Option A. The laser beam is used for a 360° sweep.
Option B. The laser beam is angled at 90° to the sweep.

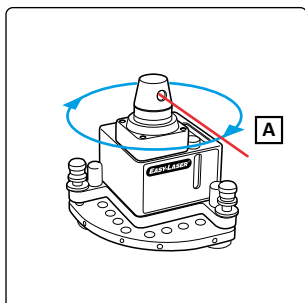


Laser transmitter D22 Swivel

Part No: 12-0022

Description: Laser transmitter D22 can be used to measure flatness, straightness, squareness and parallelism. The laser beam can sweep 360° with a measurement distance of up to 40 metres [130'] in radius. For specifications, please see *Technical specifications* at the end of this catalogue.

Note: Option A. The laser beam is used for a 360° sweep.
Option B. The laser beam is angled at 90° to the sweep.



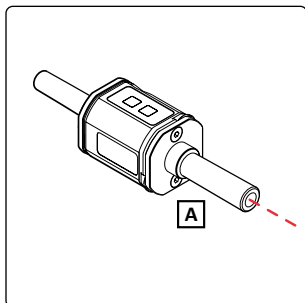
Laser transmitter D23 Spin

Part No: 12-0168

Description: Laser transmitter D23 has a motor driven, rotating head that gives a 360° laser plane. Because the laser beam sweeps across the surface you do not need to align the beam for every detector position. Tilt table included.

Measurement distance up to 20 metres [65'] in radius.

Note: A. The laser beam is used for a 360° sweep.



Laser transmitter D146 Spindle

Part No: 12-0146

Description: For measuring spindle direction and straightness. Can be used in a rotating spindle (max. 2000 rpm). Measurement distance 20 metres [65']. Mounting pin Ø20 mm [0.79"].

Note: A. An extra mounting pin (Part No. 12-0568) can be fitted at the laser aperture side (A), making it possible to align, for example, bar feeders. (Be aware that the standard mounting pin displayed on the left image cannot be detached from the transmitter.)



Laser transmitter D75

Part No: 12-0075

Description: For measuring straightness and spindle direction. M6 threads on ends and sides offer alternative mounting options. Measurement distance 40 m [130'].

Note: With tilting screws for laser beam adjustment.



Laser transmitter D25

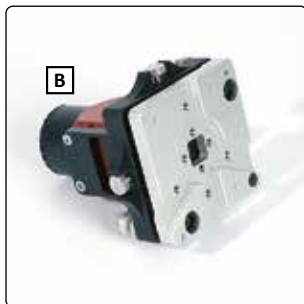
Part No: 12-0594

Description: For measuring straightness primarily in turbine applications. Measurement distance 40 m [130']. The laser beam can sweep 360°, and can be angled 90° to the sweep.

Note: Battery adaptor included. Brackets, arms and/or offset hub may also be needed, but are not included. See also 12-0706.

Option A. The laser beam is used for a 360° sweep.

Option B. The laser beam is angled at 90° to the sweep.



Laser transmitter D25 with offset hub

Part No: 12-0706

Description: For measuring straightness primarily in turbine applications. Measurement distance 40 m [130']. The laser beam can be angled 90° to the sweep, within 0.01 mm/m [0.5 mils/INCH].

Note: Battery adaptor (not pictured) and offset hub included. Brackets/arms may also be needed, but are not included. See also 12-0594.
A. Transmitter mounted to point laser through hub.
B. Transmitter mounted to point laser in opposite direction.



Laser transmitter E30 Long Range

Part No: 12-0823

Description: For measuring straightness on long distances. Measurement distance 100 m [328'] with a 20 mm PSD, >200 m [656'] with 30 mm PSD. M6 threads on front and bottom offer alternative mounting options. Built-in rechargeable battery and Oled display.

Note: Coordinate table or tilt table needed for accurate functionality. No charger or bracketing included (compare with Part No. 12-0858).



Laser transmitter E30 Long Range, with tilt table

Part No: 12-0858

Description: For measuring straightness on long distances. Measurement distance 100 m [328'] with a 20 mm PSD, >200 m [656'] with 30 mm PSD. M6 threads on front and bottom offer alternative mounting options. Built-in rechargeable battery and Oled display.

Note: With tilt table (12-0864), which can be used with magnets or mounted on tripod, Battery charger 100–240 V AC (03-1243), USB memory stick with documentation, and Carrying case (12-0872).



Laser transmitter for sheave alignment systems

Part No: 12-0309

Description: Laser transmitter producing a laser line parallel to the object it is mounted to.

Note: Only transmitter as pictured, no targets included. (Complete system, see Part No. 12-0415 and 12-1053.)

| E |



Detector E9, 2-axis PSD

Part No: 12-0759

Description: Detector diameter 45 mm [1.77"]. 2 axis PSD, 20x20 mm [0.79"x0.79"]. Built-in 360° electronic inclinometer. Built-in wireless communication and rechargeable battery. There is also a connector on the back side for standard "red cable" (charging and data transfer). Mounting threads on both ends, for tube adapters (01-0777) or other suitable brackets (e.g. 12-0767 and 12-0553).

Note: Make sure you have a suitable bracket!

| E |



Detector E7H, HyperPSD™

Part No: 12-0824

Description: Detector for the E-series. 2 axis PSD, 20x20 mm [0.79"x0.79"]. With HyperPSD™ technology, which allows for a displayed resolution of 0.0001 mm [0.000005"/0.005 mils]. Built-in 360° electronic inclinometer. Two connectors for making it possible to connect two detectors or more in series. Normally mounted on rods, but has many additional mounting possibilities thanks to threads on two sides.

Note: Optimised for fixed laser/does not detect a spinning laser.

| E |



Detector E7

Part No: 12-0752

Description: Detector for the E-series. 2 axis PSD, 20x20 mm [0.79"x0.79"]. Built-in 360° electronic inclinometer. Two connectors for making it possible to connect two detectors or more in series. Normally mounted on rods, but has many additional mounting possibilities thanks to threads on two sides.

Note: Optimised for fixed point laser/does not detect a spinning laser.

| E |



Detector E5

Part No: 12-0509

Description: Detector for the E-series. 2 axis PSD, 20x20 mm [0.79"x0.79"]. Built-in 360° electronic inclinometer. Two connectors for making it possible to connect two detectors or more in series. Normally mounted on rods, but has many additional mounting possibilities thanks to threads on two sides.

Note: With Dual Detection Technology, making it possible to read both fixed point laser and spinning laser, but is optimised for spinning laser.

| E |



Detector E3

Part No: 12-0799

Description: Detector for the E-series. 2 axis PSD, 30x30 mm [1.18"x1.18"]. Built-in wireless communication. Battery status indicator. Built-in 360° electronic inclinometer. One connector on top side. Normally mounted on rods, but also has additional mounting threads on back side.

Note: Target/Dust cover for PSD included. Does not detect a spinning laser.

| E |



Angle detector E2

Part No: 12-0845

Description: Detector for angle measurements, e.g. roll parallelism measurement. Built-in OLED display and rechargeable battery.

Note: The E2 detector reads angles, not positions. This means that if you want to take full advantage of the measurement program package of some geometric systems, you will also need a positional detector like e.g. the E7.

| E |



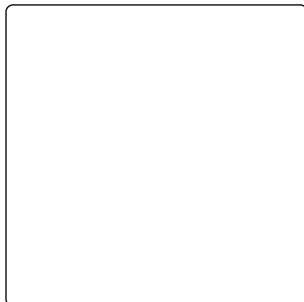
Digital Precision Level E290

Part No: 12-0846

Description: Digital precision level. Built-in OLED display and rechargeable battery.

Note: For complete kit, see Part No. 12-0857 below.

| E |



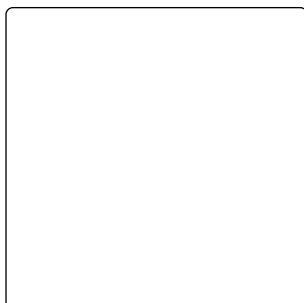
Digital Precision Level E290, complete kit

Part No: 12-0857

Description: Digital precision level (12-0846), complete kit with Battery charger 100–240 V AC (03-1243), safety strap (12-0915) and USB memory stick with documentation (03-0914).

Note: Delivered in plastic case (12-0873).

| E |



Roll alignment kit

Part No: 12-0856

Description: Includes roll bracket (12-0849), detector E2 (12-0845), digital level E290 (12-0846), adapter plate (12-0874), charger (03-1243), DC charging cable (12-0989), DC to USB adapter (12-0751), USB memory stick with documentation (03-0914).

Note: Delivered in plastic case (12-0871). As standard for roll diameters up to 400 mm. For larger roll diameters, please see Part No. 12-0885, Large Roll Kit.

| E | XT |



XT & E-series wireless Detector for belt alignment

Part No: 12-1054

Description: Detector that reads off the sheaves position in two directions (horizontal+vertical) at the same time. With built-in display showing offset and angular values. Note: Laser transmitter also needed.

Note: Also for wireless connection to separate display units E51 and E52 which have the BTA digital program. Or connect it to the XT Alignment App on your iOS/Android display, or Easy-Laser XT11.

A. Super magnets x 4, for attachment to sheave side.

| E |



Measuring unit EMH, PSD 20x20 mm

Part No: 12-0790

Description: Laser diode and PSD detector in one housing. Built-in electronic 360° inclinometer. Mainly for shaft alignment. PSD 20x20 mm [0.79"x0.79"]. With HyperPSD™ technology, which allows for a displayed resolution of 0.0001 mm [0.000005"/0.005 mils].

Note: To be used in pair with S unit 12-0789. E-series measuring unit.

| E |



Measuring unit ESH, PSD 20x20 mm

Part No: 12-0789

Description: Laser diode and PSD detector in one housing. Built-in electronic 360° inclinometer. Mainly for shaft alignment. PSD 20x20 mm [0.79"x0.79"]. With HyperPSD™ technology, which allows for a displayed resolution of 0.0001 mm [0.000005"/0.005 mils].

Note: To be used in pair with M unit 12-0790. E-series measuring unit.

| E |



Measuring unit EM, PSD 20x20 mm

Part No: 12-0434

Description: Laser diode and PSD detector in one housing. Built-in electronic 360° inclinometer. Mainly for shaft alignment. PSD 20x20 mm [0.79"x0.79"].

Note: To be used in pair with S unit 12-0433. E-series measuring unit.

| E |



Measuring unit ES, PSD 20x20 mm

Part No: 12-0433

Description: Laser diode and PSD detector in one housing. Built-in electronic 360° inclinometer. Mainly for shaft alignment. PSD 20x20 mm [0.79"x0.79"].

Note: To be used in pair with M unit 12-0434. E-series measuring unit.

| E |



Measuring unit ELM40, PSD 30 mm

Part No: 12-0776

Description: Laser diode and PSD detector in one housing. Built-in wireless communication. Battery status indicator. Built-in electronic 360° inclinometer. For shaft alignment. PSD 30 mm [1.18"].

Note: To be used in pair with S unit 12-0777. E-series measuring unit.

| E |



Measuring unit ELS40, PSD 30 mm

Part No: 12-0777

Description: Laser diode and PSD detector in one housing. Built-in wireless communication. Battery status indicator. Built-in electronic 360° inclinometer. For shaft alignment. PSD 30 mm [1.18"].

Note: To be used in pair with M unit 12-0776. E-series measuring unit.

[E]



Measuring unit ELM20, PSD 20 mm

Part No: 12-0746

Description: Laser diode and PSD detector in one housing. Built-in wireless communication. Battery status indicator. Built-in electronic 360° inclinometer. For shaft alignment. 1 axis PSD 20 mm [0.79"].

Note: To be used in pair with S unit 12-0747. E-series measuring unit.

[E]



Measuring unit ELS20, PSD 20 mm

Part No: 12-0747

Description: Laser diode and PSD detector in one housing. Built-in wireless communication. Battery status indicator. Built-in electronic 360° inclinometer. For shaft alignment. 1 axis PSD 20 mm [0.79"].

Note: To be used in pair with M unit 12-0746. E-series measuring unit.

[XT]



Measuring unit XT40-M, line laser, PSD 30 mm

Part No: 12-0943

Description: Laser diode and PSD detector in one housing. Built-in wireless communication. OLED display shows battery status and angle of the unit on shaft. Built-in electronic 360° inclinometer. For shaft alignment. 1 axis PSD 30 mm [1.18"].

Note: To be used in pair with S unit 12-0944. XT-series measuring unit.

[XT]



Measuring unit XT40-S, line laser, PSD 30 mm

Part No: 12-0944

Description: Laser diode and PSD detector in one housing. Built-in wireless communication. OLED display shows battery status and angle of the unit on shaft. Built-in electronic 360° inclinometer. For shaft alignment. 1 axis PSD 30 mm [1.18"].

Note: To be used in pair with M unit 12-0943. XT-series measuring unit.

[XT]



Measuring unit XT60-M, dot laser, PSD 20x20 mm

Part No: 12-1028

Description: Laser diode and PSD detector in one housing. Built-in wireless communication. OLED display shows battery status and angle of the unit on shaft. Built-in electronic 360° inclinometer. For shaft alignment. 1 axis PSD 20x20 mm [0.79x0.79"].

Note: To be used in pair with S unit 12-1029. XT-series measuring unit.

[XT]



Measuring unit XT60-S, dot laser, PSD 20x20 mm

Part No: 12-1029

Description: Laser diode and PSD detector in one housing. Built-in wireless communication. OLED display shows battery status and angle of the unit on shaft. Built-in electronic 360° inclinometer. For shaft alignment. 1 axis PSD 20x20 mm [0.79x0.79"].

Note: To be used in pair with M unit 12-1028. XT-series measuring unit.

| XT |



Measuring unit XT50-M, EX/ATEX, dot laser, PSD 20x20 mm

Part No: 12-1026

Description: Laser diode and PSD detector in one housing. Built-in wireless communication. OLED display shows battery status and angle of the unit on shaft. Built-in electronic 360° inclinometer. For shaft alignment. 1 axis PSD 20x20 mm [0.79x0.79"].

Note: Intrinsically safe design. To be used in pair with S unit 12-1027. XT-series measuring unit.

| XT |



Measuring unit XT50-S, Ex/ATEX, dot laser, PSD 20x20 mm

Part No: 12-1027

Description: Laser diode and PSD detector in one housing. Built-in wireless communication. OLED display shows battery status and angle of the unit on shaft. Built-in electronic 360° inclinometer. For shaft alignment. 1 axis PSD 20x20 mm [0.79x0.79"].

Note: Intrinsically safe design. To be used in pair with M unit 12-1026. XT-series measuring unit.

| XT |



Measuring unit XT70-M, dot laser, PSD 20x20 mm, 2-axis

Part No: 12-1045

Description: Laser diode and PSD detector in one housing. Built-in wireless communication. OLED display shows battery status and angle of the unit on shaft. Built-in electronic 360° inclinometer. For shaft alignment. 2 axis PSD 20x20 mm [0.79x0.79"].

Note: To be used in pair with S unit 12-1046. XT-series measuring unit.

| XT |



Measuring unit XT70-S, dot laser, PSD 20x20 mm, 2-axis

Part No: 12-1046

Description: Laser diode and PSD detector in one housing. Built-in wireless communication. OLED display shows battery status and angle of the unit on shaft. Built-in electronic 360° inclinometer. For shaft alignment. 2 axis PSD 20x20 mm [0.79x0.79"].

Note: To be used in pair with M unit 12-1045. XT-series measuring unit.

| D | E | XT* |



Magnet base

Part No: 12-0013

Description: Versatile magnet base with On/Off function and many optional rod mounting possibilities. Holding power 800N.

Note: Three sides are magnetic. *For use with XT-series offset bracket 12-1008 is also needed.

| D | E | XT* |



Magnet base with turnable head

Part No: 12-0045

Description: Versatile magnet base with On/Off function and 360° turnable head with two rod mounting possibilities.

Note: *For use with XT-series offset bracket 12-1008 is also needed.

| D | E | XT |



Magnet base with turnable head

Part No: 12-1133

Description: Versatile magnet base with On/Off function and 360° turnable head with two rod mounting possibilities, for both C-C40 mm and C-C56 mm. It has a screw and washer with which you can lock the top rotation, and therefore still use it for jobs like shaft alignment.

Note: -

| D | E |



Tilt table with magnet base

Part No: 12-0742

Description: Tilt table for use with an ES-unit as transmitter, e.g. with the Twist measurement program. This tilt table simplifies and makes the rough alignment of the laser beam quicker. Use the EM-unit as detector, mounted on a regular magnet base.

Note: Magnet base and rods included as pictured.

| D | E |



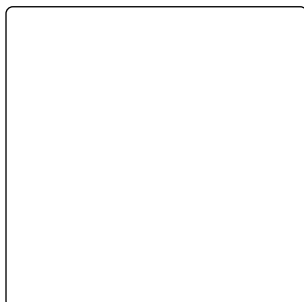
Rotating detector bracket for rods

Part No: 12-0169

Description: Allows for 360° swivel.

Note: -

| D | E |



Small magnet base with turnable head

Part No: 12-0696

Description: With On/Off function and 360° turnable head.

Note: Includes 2 rods 60 mm [2.36"].

| D | E | XT |



Small magnet base

Part No: 12-1092

Description: To be used when a low and small magnet base is needed.

Note: Can be used with D, E and XT series units.

| D | E |



Magnet base with linear digital scale

Part No: 12-0230

Description: -

Note: The length of the linear guide can be adapted. Detector not included.

| E |



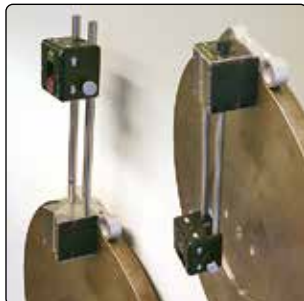
Height adjustment bracket for detector

Part No: 12-0937

Description: For fine adjustment of detector on rods.

Note: -

| D | E |



Radial support for magnet base

Part No: 12-0508

Description: Can be used for supporting the magnet base in many different ways. Makes it easier to position the detector correctly. Especially useful on flywheels.

Note: -

| D550 |



Magnet base with adapter for D550

Part No: 12-0579

Description: For e.g. straightness measurement with the D550 measuring units.

Note: Magnet base, adapter, screws and two rods 140 mm included.

| D | E |



Pointing bracket on magnet base

Part No: 12-0583

Description: For wind tower flanges. Makes it possible to measure near the edge of a surface.

Note: Probe does not touch surface. Rods and detector not included.

| D | E | XT |



Magnetic bracket

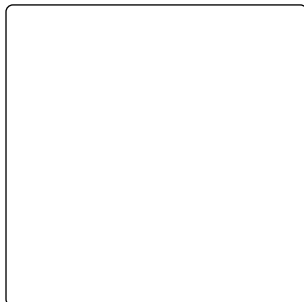
Part No: 12-1147

Description: For axial mounting on flanges or shafts. With M6 screws working as radial supports, and four super magnets.

Note1: For rod C-C 40 and 56 mm.

Note2: Older design of bracket on rightmost picture.

| D | E | XT |



Magnetic brackets and rods, kit

Part No: 12-1017

Description: 2 magnetic brackets and 4pcs rods 120 mm [4.72"] in small case.

Note: -

| D | E |



V-bracket with chain

Part No: 12-0016

Description: For mounting on shaft or coupling. The V-bracket fits shafts with diameters 20–450 mm [0.8–17.7"]. The standard chain included can be used on shaft diameters up to 150 mm [6"]. Bracket width 18 mm [0.7"].

Note: Extension chains available for shafts larger than diameter 150 mm [6"]. Does not fit the XT series.

| XT |



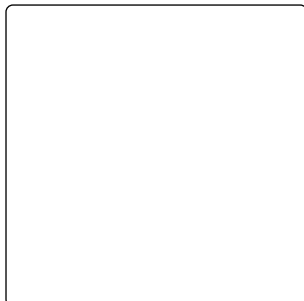
V-bracket with chain and rods

Part No: 12-0963

Description: For mounting on shaft or coupling. The V-bracket fits shafts with diameters 20–450 mm [0.8–17.7"]. The standard chain included can be used on shaft diameters up to 150 mm [6"]. Chain is pre-mounted. Bracket width 18 mm [0.7"].

Note: Only for XT series. 2 pcs rods 120 mm [4.72"] included. Extension chains available [Part No. 12-1060] for shafts larger than diameter 150 mm [6"].

| XT |



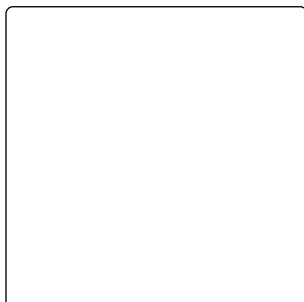
V-bracket with stainless steel chain and rods

Part No: 12-1040

Description: For mounting on shaft or coupling. The V-bracket fits shafts with diameters 20–450 mm [0.8–17.7"]. The standard chain included can be used on shaft diameters up to 150 mm [6"]. Chain is pre-mounted. Bracket width 18 mm [0.7"].

Note: Only for XT series. 2 pcs rods 120 mm [4.72"] included. Extension chains available [Part No. 12-1038] for shafts larger than diameter 150 mm [6"].

| D | E | XT |



Standard chains

Part No: 12-0625

Description: Standard chains for shaft alignment brackets.

Note: 2 pcs. Includes plastic box.

| D | E |

**Extension chain, set****Part No:** 12-0128**Description:** For standard chains. For shaft diameters 150–450 mm [5.9–17.7"].**Note:** 2 pcs. included, with plastic box. This one fits best in the system cases for E420 and D-series.

| E | XT |

**Extension chain, set****Part No:** 12-1060**Description:** For standard chains. For shaft diameters 150–450 mm [5.9–17.7"].**Note:** 2 pcs. included, with plastic box. This one fits best in XT and E system cases, except E420.

| XT |

**Extension chain stainless steel, set****Part No:** 12-1038**Description:** For extension of stainless steel chains. For shaft diameters 150–450 mm [5.9–17.7"].**Note:** 2 pcs. included, with plastic box.

| D | E | XT |

**Thin chain bracket****Part No:** 12-1012**Description:** For use for example when the space between coupling and machine is limited. Width: 12 mm [0.5"]. For shaft diameters 20–450 mm [0.8–17.7"].**Note:** Includes thin chain and tightening tool. Photos show old threadings, but are otherwise correct.

| D550 |

**Shaft bracket with chain, stainless steel****Part No:** 12-0337**Description:** Bracket mainly for use with the D550 system which has a rod C–C of 70 mm. Pre-mounted chain and rods. For shaft diameters 20–150 mm [0.8–5.9"].**Note:** -

| D550 |

**Extension chain, stainless steel****Part No:** 12-0363**Description:** For use together with 12-0337. For shaft diameters 150–320 mm [5.9–12.6"]. Two extension chains: –500 mm [–19.6"]**Note:** 1 pc. included. Does not fit with standard chains.

| D | E |

**Offset bracket****Part No:** 01-1165**Description:** Allows axial displacement between measuring units to be able to rotate past projecting machine parts. For both E and D series.**Note:** 2 screws M6x16 also needed (Part No. 03-0045). V-bracket and rods not included.

| D | E | XT |



Offset bracket

Part No: 12-1008

Description: Allows axial displacement between measuring units to be able to rotate past projecting machine parts. Also works as a converter between rod C–C 40 mm (D and E series) and C–C 56 mm (XT series) so older brackets can be used.

Note: 2 screws M6x16 included.

| XT | E |



DM Bracket, complete set

Part No: 12-1130

Description: For measuring dynamic movements. Includes 2 pcs DM brackets, 4 pcs mounting plates, glue Loctite 4070, 4 pcs screw M6x20, hexagon wrench 5 mm. Delivered in plastic case.

Note: -

| XT | E |



DM Bracket

Part No: 12-1125

Description: For measuring dynamic movements. For complete set, please see Part No. 12-1130 instead.

Note: Measuring unit not included.

| XT | E |



DM Bracket extension

Part No: 12-1129

Description: Extension for bracket 12-1125. For complete set, please see Part No. 12-1130 instead.

Note: Parts included as pictured on leftmost picture.

| D | E | XT |



Sliding bracket

Part No: 12-1010

Description: For shaft alignment. The spherical feet can be placed in two different positions for adaption to small or large shaft diameters. Min./Max. diameters 90–600 mm [3.5–23.6"].

Used when the shafts cannot be rotated. Mounted with standard chains (not included).

Note: Photos show old threadings, but are otherwise correct.

| D | E |



Sliding bracket with magnets

Part No: 12-0303

Description: The spherical feet can be placed in two different positions for adaption to small or large shaft diameters. With attachment magnets. Can also be mounted with standard chains (not included).

Note: -

| D | E |



Sliding bracket with magnets and probe

Part No: 12-0138

Description: For plumb measurement of e.g. generator shafts. The spherical feet can be placed in two different positions for adaption to small or large shaft diameters. With attachment magnets. Can also be mounted with standard chains (not included).

Note: -

| D | E |



Sliding bracket with turnable head

Part No: 12-0137

Description: For roll parallelism measurement. The spherical feet can be placed in two different positions for adaption to small or large roll diameters. With attachment magnets. Can also be mounted with standard chains (not included).

Note: -

| D |



Cardan bracket set

Part No: 12-0125

Description: For alignment of cardan/offset mounted machines. Offset range 0–900 mm.

Note: Delivered in plastic case. For D-series.

| E |



Cardan bracket set

Part No: 12-0615

Description: For alignment of cardan/offset mounted machines. Offset range 0–900 mm.

Note: Delivered in plastic case. For E-series.

| E | XT |



Cardan bracket set

Part No: 12-1151

Description: For alignment of cardan/offset mounted machines. Offset range 0–900 mm.

Note: Delivered in plastic carrying case. For XT- and E-series. Please see rightmost picture for example of attachment for E or XT unit.

Weight: 8 kg [17.6 lbs], WxHxD: 500x380x140 [19.7x15.0x5.5"]

| D | E | XT |



Rod, 30 mm [1.18"]

Part No: 01-0938

Description: Stainless steel. Diameter 10 mm. Extendable.

Note: 1 pcs.

| D | E | XT |



Rods, 60 mm [2.36"]

Part No: 12-0059

Description: Stainless steel. Diameter 10 mm. Extendable. Plastic holder included.

Note: 4 pcs.

| D | E | XT |



Rods, 75 mm [2.95"]

Part No: 12-1161

Description: Stainless steel. Diameter 10 mm. Extendable. Plastic holder included.

Note: 4 pcs.

| D | E | XT |



Rods, 120 mm [4.72"]

Part No: 12-0987

Description: Stainless steel. Diameter 10 mm. Extendable. Plastic holder included.

Note: 4 pcs.

| D | E | XT |



Rods, 120 mm [4.72"]

Part No: 12-0324
Description: Stainless steel. Diameter 10 mm. Extendable. Plastic holder included.
Note: 8 pcs.

| D | E | XT |



Rods, 240 mm [9.44"]

Part No: 12-0060
Description: Stainless steel. Diameter 10 mm. Extendable. Plastic holder included.
Note: 4 pcs.

| D | E |



Tube adapters for detector E9

Part No: 01-0777
Description: Adapters mainly for mounting of detector when used for extruder measurements. For use in single barrels.
Note: Manufactured on request to your specified diameter up to 250 mm [9.84"]. 2 pcs included. Includes items as pictured leftmost. Can also fit on detector D157 (discontinued).

| D | E |



Tube adapters for detector E9, for dual barrels

Part No: 01-2222
Description: Adapters mainly for mounting of detector when used for extruder measurements. These adapters are designed specifically for use in dual barrels.
Note: Manufactured on request to your specified diameter up to 250 mm [9.84"]. 2 pcs included. Includes items as pictured leftmost. Can also fit on detector D157 (discontinued).

| D | E |



Tube adapters with metal points

Part No: -
Description: Adapters mainly for mounting of detector E9 and used for extruder measurements. With metal points of your choice and adapted for your application.
Note: Manufactured on request to your specified diameter. 2 pcs included. Can also fit on detector D157 (discontinued).

| E |



Roll bracket

Part No: 12-0849
Description: For use with detector E2 and precision level E290 when aligning rolls.
Note: -

| E |



Angle bracket

Part No: 01-1768
Description: For use with roll bracket 12-0849.
Note: -

| E |



Large roll kit

Part No: 12-0885
Description: Accessories for roll diameter 400–1300 mm [15.7–51.2"].
Note: Only legs as on picture to the left included.

| E |



Extension Kit for E290 for large diameters

Part No: 12-0901

Description: For using the E290 Precision Level on diameters 55–800 mm [2.16–31.50"].

Note: Includes 2 legs, 4 magnets and mounting screws.

| E |



Slide bracket Width 25 mm [0.99"]

Part No: 12-0768

Description: Bracket for straightness measurement of bores with a width of down to 25 mm [0.99"]. For bores \varnothing 80– mm [3.15"–]. Magnetic feet holds the bracket safely also upside down. With positioning guide (extended on picture to the right). Guide can be removed.

Note: Designed to fit with rod adapter 12-0767 and detectors E8/E9. If used with other detectors and adapters, it is those which determines the minimum measurable diameter.

| E |



Rod adapter with built in target

Part No: 12-0767

Description: For detector E8/E9. With slidable target. For mounting of the detector on regular rods with 40 mm centre-to-centre distance. Can be used on Slide bracket 12-0768 or any other suitable bracket.

Note: Detector not included.

| D | E |



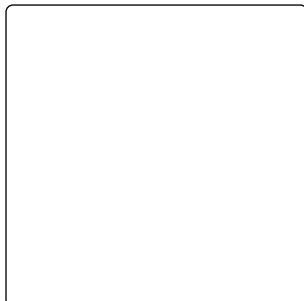
Slide bracket min. \varnothing 100 mm [3.94"]

Part No: 12-0343

Description: For bore straightness measurement. Hard anodised surface. For bores \varnothing 100–200 mm [3.94"–7.88"].

Note: -

| D | E |



Slide bracket min. \varnothing 120 mm [4.72"]

Part No: 12-0455

Description: For bore straightness measurement. With magnetic feet. For bores \varnothing 120–250 mm [4.72"–9.84"], width Min. 60 mm [2.36"].

Note: -

| D | E |



Slide bracket min. \varnothing 200 [7.87"]

Part No: 12-0543

Description: For bore straightness measurement. With magnetic feet. For bores \varnothing 200–350 mm [7.87"–13.78"], width Min. 80 mm [3.15"].

Note: -

| D | E |

**Slide bracket min. Ø300 mm [11.81"]****Part No:** 12-0510

Description: For bore straightness measurement. With magnetic feet. For bores Ø300–500 mm [11.81"–19.68"], width Min. 100 mm [3.94"].

Note: -

| D | E |

**Bore bracket adapter plate****Part No:** 12-0553

Description: Bracket for use with detector D5, D157 or E9.

Note: Detector and arm set not included. Suitable Arm set is Part No. 12-0314. Detector D5 and D157 is discontinued.



| D |

**Rod adapter for D157****Part No:** 12-0320

Description: For mounting of detector D157 on standard rods.

Note: Includes items as pictured leftmost (adapter, hexagon wrench and screws). Magnet base, rods and detector not included.



| D | E |

**Detector arms Linebore****Part No:** 12-0314

Description: For bracket 12-0553. For bores Ø100–500 mm [3.94"–19.68"], with the possibility to use the longest three arms as extension arms.

Note: Also includes Foot set 12-0134 and 12-0143 (the rightmost picture).



| D | E |

**Foot set for linebore arms****Part No:** 12-0134

Description: For use with linebore detector arms. Included in 12-0314.

Note: -

| D | E |

**Foot set for****Ø100–150 mm****Part No:** 12-0143

Description: For use with linebore detector 12-0032 and bracket 12-0553. Included in 12-0314.

Note: -

| D | E |

**Offset hub with counterlock****Part No:** 12-0661

Description: For laser transmitter 12-0075.

Note: -

[D | E |]



Offset hub with counterlock and tilt function

Part No: 12-0537

Description: For laser transmitter 12-0594.

Note: -

[E |]



Offset hub with counterlock and tilt function for transmitter E30

Part No: 12-0828

Description: For laser transmitter E30, Part No. 12-0823.

Note: -

[D | E |]



Pin for hub

Part No: 12-1039

Description: This pin is mounted on the hubs 12-0661, 12-0537 or 12-0828. The hub can then be mounted in a machine spindle or similar. Clamping diameter 20 mm [0.79"]. The pin is hollow so laser beam can be pointed also through it.

Note: 4 screws M5x8 also included.

[D | E |]



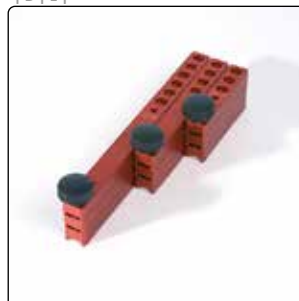
Arm kit with magnets

Part No: 12-0707

Description: For offset hub 12-0661 and 12-0537. Arms for bores \varnothing 100–500 mm [3.94–19.68"].

Note: -

[D | E |]



Offset hub arms

Part No: 12-0384

Description: For offset hub 12-0661 and 12-0537. For bores \varnothing 100–500 mm [3.94–19.68"]. Also includes centering plug.

Note: -

[D | E |]



Extension arms Linebore

Part No: 12-0282

Description: For extension of the Linebore offset hub arms. For bores \varnothing 500–1000 mm [19.68–39.36"]

Note: -

[D | E |]



Magnets for offset hub arms

Part No: 12-0154

Description: For arms 12-0384. With plastic holder.

Note: -

[D | E |]



Adjustable magnet for offset hub arms

Part No: 12-0990

Description: To use when the mounting surfaces for the hub arms aren't in same level. Adjustable 0–14mm [0–0.55"] compared to standard magnet level.

Note: -

| D | E |



Axial extension arms, Linebore

Part No: 12-0580

Description: Used for making it possible to reach the Linebore detector from the same side of the bore as the transmitter.

Note: 3 arms with magnets etc. as pictured on the left picture.

| D | E |



Laser transmitter bracket Turbine/Bore alignment

Part No: 12-0385

Description: For use with offset hub 12-0661 and laser transmitter D75. Included in system E950-B, E960-A, E960-B. 2 aluminium beams, length 1100 mm and 500 mm.

Note: Transmitter and hub not included.

| D | E |



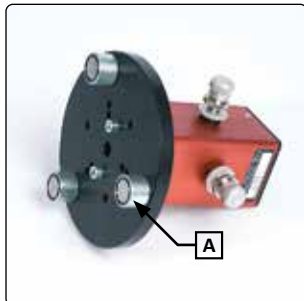
Rod bracket for laser D75

Part No: 12-0149

Description: For mounting of laser transmitter D75 on standard rods. Laser beam can point from the bracket or through the bracket.

Note: -

| D | E |



Bracket for laser D75

Part No: 12-0187

Description: To use on shaft ends, flywheels etc. Laser beam can point from the bracket or through the bracket.

Note: A. 3 super magnets.

| D | E |



Adapter plate for tilt table to magnet base

Part No: 12-0874

Description: For mounting D22 laser transmitter on a magnet base, or a magnet base with turnable head.

Note: 4 screws M6x16 also needed (not included).

| D | E |



Tilt table

Part No: 12-0110

Description: Tilt table mainly for transmitter D26, D22 and D23, but can also be used together with transmitter D75, for example.

Note: Tool kit also included (12-0622).

| D | E |



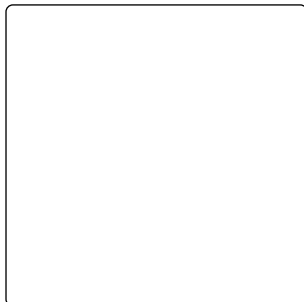
Tilt table, turnable

Part No: 12-0864

Description: Tilt table mainly for transmitter E30 Long Range. For fine adjustment of horizontal and vertical angle. Can be used with magnets or mounted on tripod.

Note: -

| D | E |



Tool kit for tilt table

Part No: 12-0622

Description: Safety strap (12-0915), Machine/magnet base pin (01-0139), set of Hexagon wrenches, Rod tightening tool (03-0048), Feet with flat points (3 pcs).

Note: Tool kit included in Tilt table, Part No. 12-0110.

| D | E |



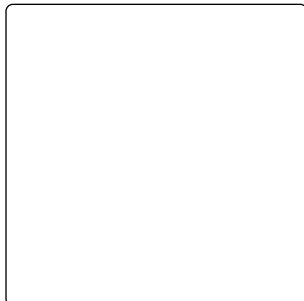
Handheld detector bracket

Part No: 12-0603

Description: For use on non-magnetic surfaces.

Note: Use with rods (not included). Includes 2 screws M6x10 and rod tightening tool.

| E |



Bar bracket

Part No: 12-0988

Description: For alignment of e.g. bar feeders. With super magnet.

Note: Rotational centre of magnet is centre for PSD.

| E |



Spindle bracket for measuring unit

Part No: 12-0787

Description: Bracket for use with an ES-unit as laser transmitter. Clamping pin \varnothing 20 mm [0.79"], clamping length 40 mm [1.57"]. It is also possible to turn the measuring unit to point the laser beam through the pin. This is for example useful when aligning bar feeders.

Note: Rods and measuring unit not included.

| D | E | XT |



Angular adapter for detector, 90°

Part No: 12-1018

Description: Adapter positions detector exactly 90° to other direction. Mainly used for machine tool applications.

Note: -

| D | E |

**Machine/magnet base pin for D22 and D26, short****Part No:** 01-0139**Description:** For mounting the transmitter in a spindle or on a magnet base, for example. Clamping pin \varnothing 16 mm [0.63"], clamping length 30 mm [1.18"].**Note:** This pin is included in the tilt table tool kit.

| D | E |

**Machine/magnet base pin for D22 and D26, Long****Part No:** 01-1333**Description:** For mounting the transmitter in a spindle (or on a magnet base), for example. Clamping pin \varnothing 20 mm [0.79"], clamping length 60 mm [2.36"].**Note:** -

| D | E |

**Mounting pin for D146****Part No:** 12-0568**Description:** Accessory mounting pin for laser transmitter D146.Makes it possible to point the laser beam into e.g. the chuck. Clamping \varnothing 20 mm [0.79"].**Note:** -

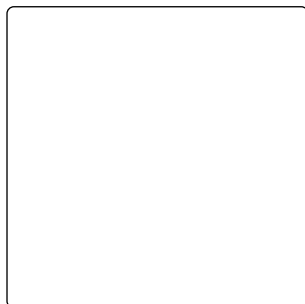
| D | E |

**Self centering bracket, Linebore****Part No:** 12-0341**Description:** For sterntube measurement. Smallest diameter 300 mm [11.81"]. Includes extension beams and rods for diameters up to 1200 mm [47.24"].**Note:** Includes items as pictured leftmost. No detector included.

| D | E |

**Detector bracket "short stroke", Turbine****Part No:** 12-0438**Description:** With slidable beam. Makes it possible to reach several measurement positions without moving the entire bracket. One aluminium beam 1100 and one 600 mm included. For \varnothing 150–1700mm [5.9"–66.9"].**Note:** Detector not included.

| E |

**Detector bracket "long stroke", Turbine****Part No:** 12-0715**Description:** Measures diameters 200–1700 mm [7.8"–67"] as standard. Stroke: 60 mm [2.36"].Two aluminium beams 1100 mm [43.3"], one 600 mm [23.6"], rods 5x240 mm [9.44"], 4x120 mm [4.72"], 2x60 mm [2.36"], 1x30 mm [1.18"] included. For \varnothing 200–1700mm [7.8"–66.9"].**Note:** Detector not included.

[D|E]



Upgrade kit Long stroke

Part No: 12-0855

Description: This kit is for upgrading of the long stroke brackets used in D650 with self center bracket, D660 Turbine, E950-B and E960-B. Makes it easier to adjust for different diameters, since the probe rod no longer has to be changed, instead the two other rods are extended when necessary.

Note: Only parts pictured on the left image included.

[D|E]



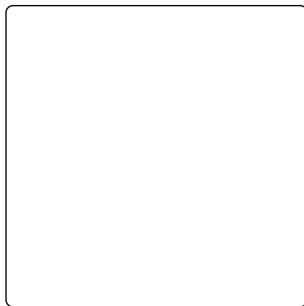
Tube bracket

Part No: 12-0814

Description: Included with Part No. 12-0438 and 12-0715.

Note: -

[D|E]



Titanium rods, set of 3

Part No: 12-1019

Description: Very light, titanium rods. Mainly for use with the probe in turbine applications and similar. Diameter 10 mm. Extendable.

Note: 3 lengths included: 1000 mm [39.37"] weight 150 g [5.29 oz], 700 mm [27.56"] weight 110 g [3.88 oz], 400 mm [15.75"] weight 64 g [2.26 oz]

[D|E]



Aluminium beam, 500 mm [19.68"]

Part No: 03-0769

Description: Cross section measures 44x44 mm [1.73x1.73"].

Note: -

[D|E]



Aluminium beam, 600 mm [23.62"]

Part No: 03-0770

Description: Cross section measures 44x44 mm [1.73x1.73"].

Note: -

[D|E]



Aluminium beam, 1100 mm [43.31"]

Part No: 03-0771

Description: Cross section measures 44x44 mm [1.73x1.73"].

Note: -

[D|E]



Ball top probe

Part No: 12-0439

Description: Probe for turbine measurement.

Note: -

[D|E]



Short ball top probe

Part No: 12-0490

Description: Probe for turbine measurement.

Note: -

[D|E]



Measuring probe Ruby

Ø5 mm

Part No: 12-0805

Description: Probe for turbine measurement. With ruby top.

Note: -

| D | E |

**Measuring probe Ruby**

Ø2.5 mm

Part No: 12-0801

Description: Probe for turbine measurement. With ruby top.

Note: -

| D | E |

**Gauge block**

Part No: 03-1291

Description: For use mainly in turbine applications.

Note: -

| D | E |

**Measuring probe, cylindrical**

Part No: 12-1047

Description: For use in turbine applications.

Note: -

| D | E |

**Measuring probe, cylindrical, with magnet**

Part No: 12-1048

Description: For use in turbine applications.

Note: With neodym magnet in the cylinder probe.

| D | E |

**Centering target, Turbine**

Part No: 12-0443

Description: For rough alignment of laser beam. 1 m + 0.5 m extension.

Note: -

| D | E |

**Side support for E5, E7 and other detectors**

Part No: 12-0188

Description: For straightness measurement of engine bed plate. For use together with 12-0189.

Note: -

| D | E |

**Side support for D75**

Part No: 12-0189

Description: For straightness measurement of engine bed plate. For use together with 12-0188.

Note: -

| D | E |

**Tripod**

Part No: 12-0269

Description: For use with e.g. D22 and Angular prism. Min./Max. height 500–2730 mm [19.7–107.5"]

Note: -

| E |



Paralleliity kit

Part No: 12-0203

Description: For parallelism measurement of rolls. Includes Magnet base D45, Sliding bracket 12-0137, Sliding table 12-0202, 2 x Large target base line. Delivered in plastic case.

Note: Detector not included.

| D | E |



Sliding table for tripod

Part No: 12-0202

Description: Sliding table to mount on a tripod. For laser transmitters and angular prism. Mounted using 5/8-11 UNC thread.

Allows for 150 mm [5.9"] slide of the unit, for example to point the laser beam to a detector on a rod or flange without moving the tripod.

Note: -

| D | E |



Angular prism

Part No: 12-1136

Description: Angular prism with built-in penta prism which deflects the beam 90°. With the rotatable angular prism you can reach a detector at any height on a flange or a roll when measuring parallelity.

Note: Angular prism has a rod C-C of 40 mm. Items as pictured leftmost included (prism, bracket for detector unit, laser transmitter alignment target). The rightmost picture shows setup with detector, on tripod with sliding table 12-0202, and tripod adaptor 01-2232.

| D | E |



Angular prism, kit

Part No: 12-1221

Description: Angular prism kit in rugged carrying case.

Note: Carrying case plus items as pictured leftmost included (prism, bracket for detector unit, laser transmitter alignment target, magnet base, 4 pcs rods 120 mm [4.72"]). Interior precut to also fit 2 pcs 12-1200 (accessories). Case measures WxHxD: 335x280x140 [13.2x11.0x5.5"], kit weight 3.8 kg [8.4 lbs].

| D | E | XT |



Tripod adaptor for Angular prism

Part No: 01-2232

Description: To be used for mounting of Angular prism on tripod.

Directly mounted as pictured here, or preferably on sliding table 12-0202 as pictured at Part No. 12-1136 above.

Note: Item as pictured leftmost included. Can be used for other applications if suitable. Rod C-C 40 and 56 mm.

| D | E |



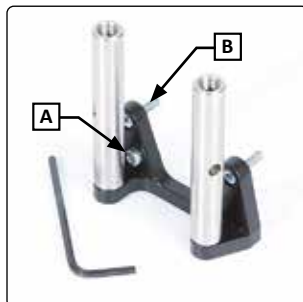
Sliding table for magnet base

Part No: 12-1200

Description: For precision adjustment, mainly of angular prism. For rod C-C 40 mm. To be mounted on magnet base 12-0013.

Note: Includes 4 pcs screws. Magnet base not included.

| D | E |



Measuring unit holder for Angular prism D46

Part No: 12-0709

Description: Makes it possible to mount a measuring unit in front of the angular prism D46. Used for precision aligning the prism.

Note: A. Support screws, only used with some detectors to put the PSD at the correct height/centre in front of the prism.

B. Screws for mounting on the D46.

Hexagon wrench and two rods 60 mm also included as pictured.

C. Does not fit 12-1136. Prism D46 (12-0046) is discontinued.

| E |



Sun visor E-series

Part No: 12-0587

Description: To use in very sunny conditions when light causes unstable values. Fits detector 12-0509, 12-0752, 12-0824 and measuring units 12-0433/12-0434. With magnet attachment.

Note: -

| XT |



Sun visor for XT40

Part No: 12-1205

Description: To use in very sunny conditions when light causes unstable values. Fits measuring units XT40-M/S (12-0943/12-0944).

Note: -

| D | E |

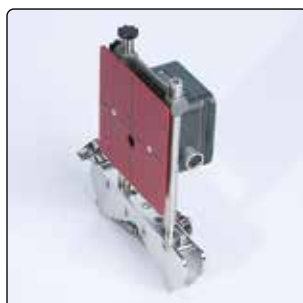


Target 100x100 mm

Part No: 12-0544

Description: Rough alignment target for flatness measurement. Adjustable height (to align with either D22 or D23) and magnet base.

| D550 |



Target D550 cardan

Part No: 12-0402

Description: Large target for use when aligning cardan/offset mounted machines. The target clamps onto the front of the D550 measuring units.

Note: -

| E |



Large target E-series

Part No: 12-0588

Description: The target is mounted with magnet attachment onto the front of detectors 12-0509, 12-0752 and 12-0702, as well as measuring units 12-0433 and 12-0434.

Note: -

| E |



Target E-series 20 x 20

Part No: 12-0794

Description: Rough alignment target for measuring units ES/EM, detectors E4, E5 and E7. Can be mounted to cover laser opening, functioning as dust cover and protection. With reflective centre point.

Note: Only one target included per Part No., i.e. if you order targets for a pair of measuring units, you will need two 12-0794.

| D | E |



Large target extruder

Part No: 12-0810

Description: Transparent target with adjustable magnets for mounting on tube end. Splits in two, to fit in the transportation case.

Note: -

| D |



Target cardan

Part No: 12-0139

Description: Large target for use when aligning cardan/offset mounted machines. The target clamps onto the front of the D-series measuring units.

Note: -

| E |



Wireless unit

Part No: 12-0436

Description: The unit for wireless communication is inserted into the connector on the detector or measuring unit. No internal battery.

Note: Fits both E-series detector and measuring units which have an internal battery; 12-0509, 12-0702, 12-0752, 12-0434 and 12-0433.

| E |



Battery pack with built-in wireless unit

Part No: 12-0618

Description: Chargeable battery pack which gives extra operating time. With battery status indicator and On/Off button. Built-in unit for wireless measurement data transfer to the display unit.

Note: Only for the E-series. Includes "red cable" 0.16 m [6.3"].

| E |



Batterypack with wireless technology, Kit

Part No: 12-0740

Description: Kit including two Batterypack units with wireless technology (12-0618) and one splitter cable B (12-0725).

Note: The cable cannot be used for data transfer, only for charging.

| E |

**Splitter cable B, for charging****Part No:** 12-0725**Description:** To connect two Easy-Laser® units when charging.**Note:** Only for charging, the cable cannot be used to transfer any measurement data. Not for use with 12-0738.

| E |

**Splitter cable A, for charging two 12-0738****Part No:** 12-0728**Description:** For charging two wireless units with battery, Part No. 12-0738.**Note:** Only for charging 12-0738, the cable cannot be used to transfer any measurement data.

| E | XT |

**DC cable extension 1.5 m [59"]****Part No:** 03-1203**Description:** For extension of the DC split cables Part No. 12-0989 and 12-0750.**Note:** -

| E | XT |

**DC to USB adapter****Part No:** 12-0751**Description:** Adaptor to be used with cable 12-0989 and 12-0750.**Note:** Cannot transfer any measurement data.

| E |

**Splitter box****Part No:** 12-0597**Description:** Used for connection of up to four Easy-Laser® units when charging them.**Note:** Standard "red" cables also needed.

| E | XT |

**DC split cable for charging****Part No:** 12-0989**Description:** Cable for charging the units of system E420, E540 and XT440, XT550, XT660.**Note:** This cable cannot transfer any measurement data.

| D | E |

**"Red cable", 2.0 m [78.7"]****Part No:** 12-0074**Description:** For connecting Easy-Laser® measurement equipment. With Push-Pull connectors.**Note:** -

| D | E |



**“Red cable”, 0.16 m
[6.3”]**

Part No: 12-0494

Description: For connecting Easy-Laser® measurement equipment. With Push-Pull connectors.

Note: -

| D | E |



**“Red cable”, 0.4 m
[15.7”]**

Part No: 12-0289

Description: For connecting Easy-Laser® measurement equipment. With Push-Pull connectors.

Note: -

| D | E |



**“Red cable”, 1.0 m
[39.3”]**

Part No: 12-0179

Description: For connecting Easy-Laser® measurement equipment. With Push-Pull connectors.

Note: -

| D | E |



**“Red cable”, extension,
0.5 m [1.6’]**

Part No: 12-0762

Description: For connecting Easy-Laser® measurement equipment. With Push-Pull connectors.

Note: Extension cable.

| D | E |



**“Red cable”, extension,
5.0 m [16.4’]**

Part No: 12-0108

Description: For connecting Easy-Laser® measurement equipment. With Push-Pull connectors.

Note: Extension cable.

| D | E |



**“Red cable”, extension,
10.0 m [32.8’]**

Part No: 12-0180

Description: For connecting Easy-Laser® measurement equipment. With Push-Pull connectors.

Note: Extension cable.

| D | E |



“Red cable”, 2.0 m [78.7”] with angled connector

Part No: 12-0735

Description: For connecting Easy-Laser® measurement equipment. With Push-Pull connector on one end, and angled connector on the other. For use when there is limited space for the cable, e.g. small bore diameters.

Note: -

| D | E |



Cable support

Part No: 12-0321

Description: If the cable is accidentally pulled with great force, this support will prevent the connector from damage. It will also minimise the risk of moving the detector out of position.

Note: -

| D |



Printer cable

Part No: 03-0241

Description: For connection of the thermal printers 03-0341 and 03-0032 to display unit D279.

Note: -

| D |



PC cable (“null modem”)

Part No: 03-0333

Description: Length 1.8 m [71”]

Note: -

| D |

**USB/RS232 adaptor****Part No:** 03-0722**Description:** Adaptor and cable extension.**Note:** Requires internet connection and Windows update.

| E | XT |

**USB A - USB B cable****Part No:** 03-0822**Description:** Cable with USB A to USB B connectors.**Note:** -

| E | XT |

**USB cable for Streaming values****Part No:** 03-1043**Description:** Null modem cable for use with E-series display units to stream values directly to a PC.**Note:** -

| E |

**Charger for E-series display unit****Part No:** 03-1243**Description:** -**Note:** Wall socket connection cable also needed, choose part depending on country of use.

| XT |

**Charger for XT-series****Part No:** 03-1256**Description:** -**Note:** Wall socket connection cable also needed, choose part depending on country of use.

| E | XT |

**Charger cable, EUR****Part No:** 03-0892**Description:** -**Note:** Charger unit also needed.

| E | XT |

**Charger cable, USA****Part No:** 03-0893**Description:** -**Note:** Charger unit also needed.

| E | XT |

**Charger cable, UK****Part No:** 03-0894**Description:** -**Note:** Charger unit also needed.

| E | XT |

**Charger cable, AUS****Part No:** 03-0895**Description:** -**Note:** Charger unit also needed.

| E | XT |

**HDMI to HDMI cable****Part No:** 03-0901**Description:** Length 3 m.**Note:** -

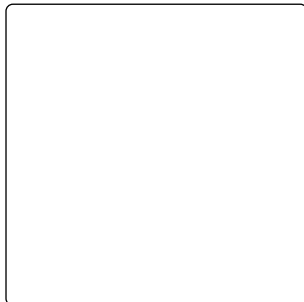
| E |

**VGA to VGA cable****Part No:** 03-0902**Description:** Length 3 m.**Note:** -

| E |

**Barcode reader****Part No:** 12-0619**Description:** For registration of machine data. Connected to the USB port.**Note:** Barcode stickers are no more available from Easy-Laser, but any other type can be used instead.

| E |



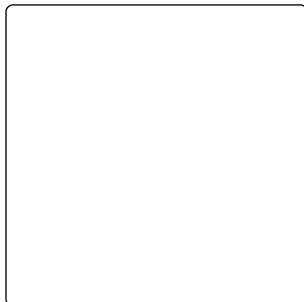
VGA/HDMI kit, for serial number 94177 and newer

Part No: 12-0840

Description: Makes it possible to show the display unit screen on a TV or projector. Includes cable 03-0901 (HDMI), cable 03-0902 (VGA), converter and VGA circuit board.

Note: Only for Display unit 12-0418 (E51) with serial number 94177 and higher. The VGA kit (the circuit board) must be ordered at system purchase for factory installation, it cannot be mounted afterwards.

| E |



Printer for E-series

Part No: 03-1004

Description: Battery operated thermal printer. With USB cable and 110–220V charger. For connection to all systems with E-series display units.

Note: 1 paper roll included. Spare rolls, Part No. 03-0041.

| D |



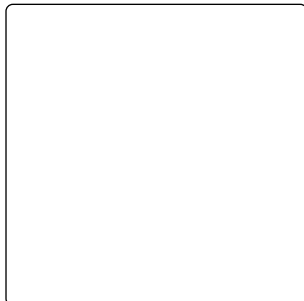
Printer for D-series

Part No: 03-1323

Description: Battery operated thermal printer. With cable and 110-220V charger. For connection to all systems with display unit D279.

Note: Cable D-Sub 9-pole included. 1 paper roll included. Spare rolls, Part No. 03-0041.

| XT |



Carrying case Small for system XT440

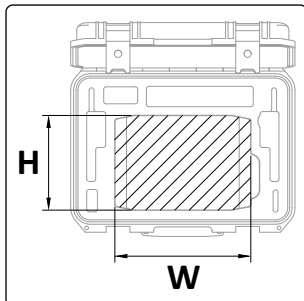
Part No: 12-0972

Description: Carrying case with pre-shaped interior for system XT440.

Note: No place for display unit.

Note 2: No system name sticker is included if not asked for.

| XT |



Carrying case Medium for system XT440/XT660

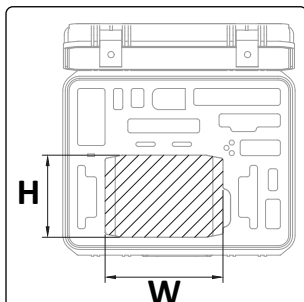
Part No: 12-0973

Description: Carrying case with pre-shaped interior for system XT440 and XT660.

Note: The interior has space for display unit XT11. If other display unit is to be placed in the case, please note the shape and dimension of the cutout (picture to the left). W=280 mm [11"], H= 195 mm [7.6"].

Note 2: No system name sticker is included if not asked for.

| XT |



Carrying case Large for XT440/XT660/XT770

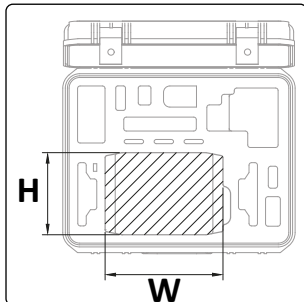
Part No: 12-1049

Description: Carrying case with pre-shaped interior for system XT440, XT660 and XT770. This case also carries some accessories, please see system XT660 and XT770 brochures for more information.

Note: The interior has space for display unit XT11. If other display unit is to be placed in the case, please note the shape and dimension of the cutout (picture to the left). W=280 mm [11"], H= 195 mm [7.6"].

Note 2: No system name sticker is included if not asked for.

| XT |



Carrying case Large for XT770 with D22

Part No: 12-1132

Description: Carrying case with pre-shaped interior for system XT770 with laser transmitter D22. Please note: No pre-cut space for BTA or VIB accessories, but the general space under the XT11 might be used.

Note: The interior has space for display unit XT11. If other display unit is to be placed in the case, please note the shape and dimension of the cutout (picture to the left). W=280 mm [11"], H= 195 mm [7.6"].

Note 2: No system name sticker is included if not asked for.

| E |



Carrying case for system E710

Part No: 12-0442

Description: Carrying case with pre-shaped interior for system E710.

Note: -

| D | E |



Transportation case, Cardan

Part No: 12-0237

Description: Rigid case for Cardan bracket set, or other accessories. To use e.g. when there isn't place in the system case.

Note: The foam is cut for Cardan brackets.

| E |



Carrying case Large for system E540

Part No: 12-1020

Description: Carrying case with interior for system E540.

Note: Pre-cut also for accessories, just remove foam blocks (blocks removed on picture).

| E |



Carrying case Small for system E540

Part No: 12-1025

Description: Carrying case with interior for system E540.

Note: -

| E |



Carrying case for system E420

Part No: 03-1059

Description: Carrying case with interior for system E420. Only lower compartment as pictured.

Note: -

| E | XT |



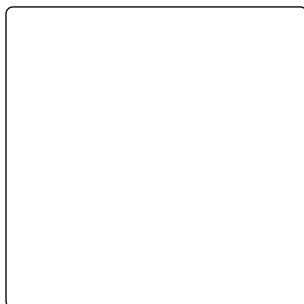
Transportation case for system E180 and XT190

Part No: 12-0804

Description: Carrying case with interior for belt alignment units.

Note: No system name sticker is included if not asked for.

| E | XT |

**Plastic case for small items****Part No:** 03-0792**Description:** Transportation case with foam interior.**Note:** This is the standard case included with Easy-Laser systems.**Transportation case****Part No:** 03-0909**Description:** Rigid case for D22 or D23, or other accessories. To use e.g. when there isn't place in the system case.**Note:** The foam is cut to order. Specify what the case will be used for. Otherwise it will be delivered with foam uncut.**Luggage trolley****Part No:** 03-1046**Description:** Luggage trolley for easier transportation of system cases.**Note:** Max. load 75 kg [165 lbs]. Dimensions WxHxD: 500x1070x455 mm [19.7x42.1x17.9"]. Dimensions folded WxHxD: 485x790x70 [19.1x31.1x2.8]. Weight 4.4 kg [9.7 lbs].

| E |

**Protective case for display unit E51, E52 and E53****Part No:** 01-1379**Description:** With strap.**Note:** -

| E |

**Shoulder strap for display unit E-series****Part No:** 12-0495**Description:** -**Note:** -

| D | E |

**Safety strap****Part No:** 12-0915**Description:** For use with laser transmitter D22, D23 and Digital Level E290.**Note:** -

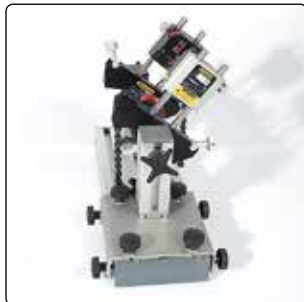
| E | XT |

**Measuring tape, 3 m [9.8']****Part No:** 03-0824**Description:** Fits the cases for the E- and XT-systems.**Note:** -

| E |

**Measuring tape, 5 m [16.4']****Part No:** 03-0842**Description:** Fits the cases for the E-series systems.**Note:** -

| D | E | XT |



Demo unit Shaft

Part No: 12-0416

Description: For shaft alignment training. Can simulate both coupled and uncoupled shafts. With two shims 1.00 mm included.

Dimensions: appr. 400x200x200 mm [15.7x7,8x7.8"].

Note: To simulate an actual alignment, shims (Type A) of different thicknesses can be used. Measuring units and brackets not included.

| D | E | XT |



Demo unit Shaft, steel

Part No: 03-1332

Description: For shaft alignment training. Can simulate both coupled and uncoupled shafts. Two units or more can be connected in series to simulate machine train. With two shims 1.00 mm included.

Dimensions: appr. 400x200x200 mm [15.7x7,8x7.8"].

Note: To simulate an actual alignment, shims (Type A) of different thicknesses can be used. Measuring units and brackets not included.



Demo unit Sheave

Part No: 12-0236

Description: Can be placed standing or lying down.

WxD: 660x200x100 mm. Weight: 8 kg.

Note: BTA and targets not included.



Hexagon wrench set

Part No: 03-0967

Description: Hexagon wrench set with dimensions 1.27, 1.5, 2, 2.5, 3, 4, 5 and 6 mm. Ball end.

Note: -

| XT |



Stinger for XT280

Part No: 03-1326

Description: Accessory probe for the XT280 Vibrometer.

Note: Length 100 mm.

| XT |



Accelerometer magnet for XT280

Part No: 03-1327

Description: Accessory probe for the XT280 Vibrometer.

Note: -



Battery lid for display unit D279
 Part No: 12-0354
 Description: -
 Note: -



Battery lid for display unit D336
 Part No: 12-0546
 Description: -
 Note: -



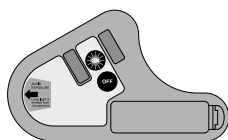
Side part for display unit D279
 Part No: 01-0752
 Description: -
 Note: -



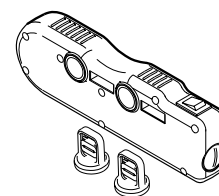
Top for D23
 Part No: 01-0618 + 03-0505
 Description: For protection of the rotating head.
 Note: Top and screw are separate articles.



Target for BTA, 18 mm
 Part No: 12-0394
 Description: Suitable for laser transmitter 12-0309 and 12-0390.
 Note: 1 pc.



Target for BTA, 15 mm
 Part No: 12-0213
 Description: Suitable for Easy-Laser® D80.
 Note: 1 pc.



Barrel nut
 Part No: 01-0045
 Description: For the standard chain.
 Note: -



Nut
 Part No: 01-0042
 Description: For the standard chain.
 Note: -



Standard chain
 Part No: 12-0033
 Description: -
 Note: -



Chain, stainless steel
 Part No: 12-0386
 Description: For use with 12-0337.
 Note: Does not fit with standard chains.



V-bracket
 Part No: 12-0130
 Description: For mounting on shaft or coupling.
 Note: Just bracket, no chain.



Screw M6x14
 Part No: 03-0061
 Description: -
 Note: -



**Rod tightening tool,
4 mm**
Part No: 01-0048
Description: -
Note: -



Locking screw
Part No: 01-0039
Description: Fits measuring units; 12-0001, 12-0002, 12-0119, 12-0120, 12-0114, 12-0116, 12-0776, 12-0777, 12-0698, 12-0697, 12-0746, 12-0747. Detectors; 12-0005, 12-0201, 12-0255.
Note: -



Locking screw
Part No: 01-1953
Description: Fits measuring units; 12-0434, 12-0433. Detectors; 12-0702, 12-0509, 12-0752.
Note: -



Locking screw
Part No: 01-1866
Description: Fits measuring units; 12-0943, 12-0944, 12-1028, 12-1029, 12-1026, 12-1027.
Note: -



Spare locks for carrying cases
Part No: -
Description: Spare locks for different models of Easy-Laser® carrying cases.
Note: Ask us for more details on pricing and availability. *Always measure width before ordering!*



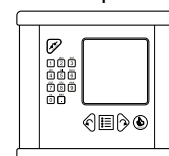
Padded case for BTA
Part No: 03-0591
Description: Padded case with belt strap.
Note: -



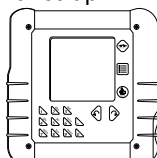
Case for BTA Ex
Part No: 03-0736
Description: Case for Ex environments. Made of antistatic material. With belt strap.
Note: -



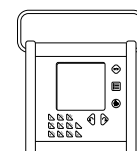
Protective case for older display units
Part No: 03-0042
Description: With strap.
Note: -



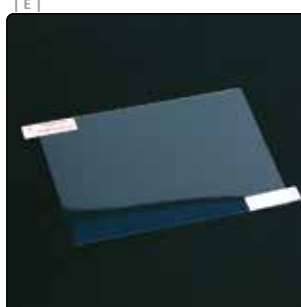
Protective case for display unit D279
Part No: 03-0592
Description: With strap.
Note: -



Protective case for display unit D336
Part No: 03-0799
Description: Made of antistatic materials. With strap.
Note: -

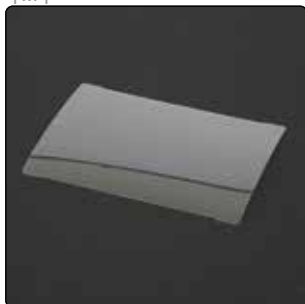


Cleaning cloth
Part No: 03-0878
Description: For cleaning of optical surfaces such as laser aperture and PSD window.
Note: -



LCD display protection film for E51/E52/E53
Part No: 03-0972
Description: Thin film for scratch protection of the LCD display.
Note: -

| XT |



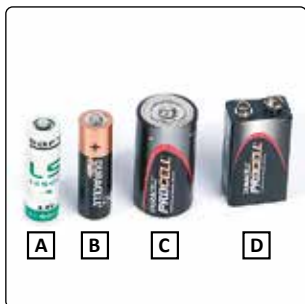
LCD display protection film for XT11

Part No: 01-1945
Description: Thin film for scratch protection of the LCD display.
Note: -



Thermo paper roll

Part No: 03-0041
Description: Paper roll for printer 03-0032 and 03-0341.
Note: -



Batteries

Description:
 A. 3.6 V, Lithium (for BTA Ex), Part Nr 03-0730
 B. 1.5 V, LR6 Alkaline, Part Nr 03-0247
 C. 1.5 V, LR14 Alkaline, Part Nr 03-0242
 D. 9V, 6LR61 Alkaline, Part Nr 03-0642



White Vaseline

Part No: 03-1193
Description: Protects metals against rust and corrosion.
Note: Weight 40 g.



Vapor capsule Zerust VC2-2

Part No: 03-1184
Description: Protects metals against rust and corrosion. Estimated life span 2 years.
Note: For use in system cases. With adhesive backing.



Sticker "This machine is aligned with"

Part No: 04-0053
Description: To stick on aligned machines. With writable surface for date and operator signature.
Note: 25 stickers.

| XT |



QR code sticker

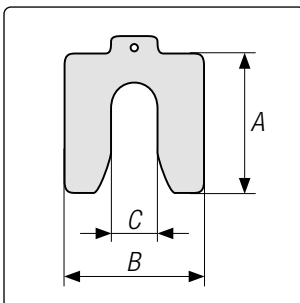
Part No: 04-0307
Description: To stick on machines. Read it from within the XT app for easy access to machine data etc.
Note: 10 stickers with unique numbers.

| D550 |



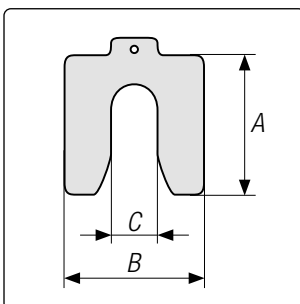
Tool kit for system D550, complete

Part No: 12-0360
Description: With 4 rods 120 mm, 4 extension chains, rod tightening tool and hexagon tool.
Note: Antistatic fabric.



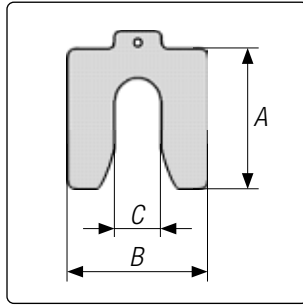
Shims case 1, 180 shims

Part No: 12-0258
Description: 180 shims, 10 pcs of each shim included. Weight 3.9 kg.
 Shims type 1, thickness 0.05, 0.10, 0.20, 0.50, 0.70, 1.00 mm.
 Shims type 2, thickness 0.05, 0.10, 0.20, 0.50, 0.70, 1.00 mm.
 Shims type 3, thickness 0.05, 0.10, 0.20, 0.50, 0.70, 1.00 mm.
Note: Shims type 1, A: 55 mm, B: 50 mm, C: 15 mm
 Shims type 2, A: 75 mm, B: 70 mm, C: 23 mm
 Shims type 3, A: 90 mm, B: 80 mm, C: 32 mm



Shims case 2, 360 shims

Part No: 12-0259
Description: 360 shims, 20 pcs of each shim included. Weight 6.1 kg.
 Shims type 1, thickness 0.05, 0.10, 0.20, 0.50, 0.70, 1.00 mm.
 Shims type 2, thickness 0.05, 0.10, 0.20, 0.50, 0.70, 1.00 mm.
 Shims type 3, thickness 0.05, 0.10, 0.20, 0.50, 0.70, 1.00 mm.
Note: Shims type 1, A: 55 mm, B: 50 mm, C: 15 mm
 Shims type 2, A: 75 mm, B: 70 mm, C: 23 mm
 Shims type 3, A: 90 mm, B: 80 mm, C: 32 mm



Shims case 3, shims of your choice

Part No: 12-0743

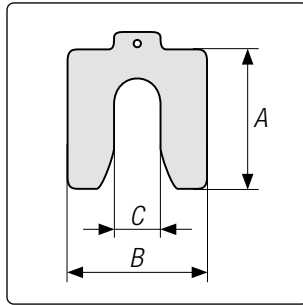
Description: For this case you choose number of shims yourself, from type 1, 2, 3, 4. We recommend minimum 10pcs/model. Please see price list for dimensions. Weight, case without shims 3.2 kg.

Note: Shims type 1, A: 55 mm, B: 50 mm, C: 15 mm

Shims type 2, A: 75 mm, B: 70 mm, C: 23 mm

Shims type 3, A: 90 mm, B: 80 mm, C: 32 mm

Shims type 4, A: 125 mm, B: 105 mm, C: 44 mm



Shims case 4, shims of your choice

Part No: 12-0755

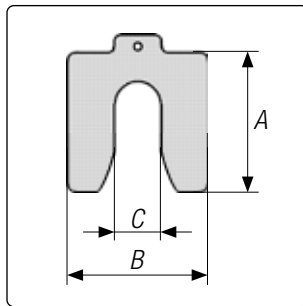
Description: For this case you choose number of shims yourself, from type 2, 3, 4, 5. We recommend minimum 10pcs/model. Please see price list for dimensions. Weight, case without shims 3.2 kg.

Note: Shims type 2, A: 75 mm, B: 70 mm, C: 23 mm

Shims type 3, A: 90 mm, B: 80 mm, C: 32 mm

Shims type 4, A: 125 mm, B: 105 mm, C: 44 mm

Shims type 5, A: 200 mm, B: 200 mm, C: 85 mm



Shims

Part No: See price list.

Description: Blister packs of 10 pcs/size.

Type 1, thickness [mm] 0.05, 0.10, 0.20, 0.40, 0.50, 0.70, 1.00, 2.00, 3.00.

Type 2, thickness [mm] 0.05, 0.10, 0.20, 0.40, 0.50, 0.70, 1.00, 2.00, 3.00.

Type 3, thickness [mm] 0.05, 0.10, 0.20, 0.40, 0.50, 0.70, 1.00, 2.00, 3.00.

Type 4, thickness [mm] 0.05, 0.10, 0.20, 0.40, 0.50, 0.70, 1.00, 2.00, 3.00.

Type 5, thickness [mm] 0.05, 0.10, 0.20, 0.40, 0.50, 0.70, 0.80, 1.00, 2.00, 3.00.

Dimensions [mm]: Type 1, A: 55, B: 50, C: 15. Type 2, A: 75, B: 70, C: 23. Shims type 3, A: 90, B: 80, C: 32. Type 4, A: 125, B: 105, C: 44. Type 5, A: 200, B: 200, C: 85.



Cap
Part No: 13-0004
Description: Cap made of 100% cotton. Easy-Laser® embroidery on front. With strap for size adjustment.
Note: Not always in stock. Price upon request.



USB memory
Part No: 03-0914
Description: 4 GB memory stick USB. Easy-Laser® logo engraved on one side as on picture.
Note: Price upon request.



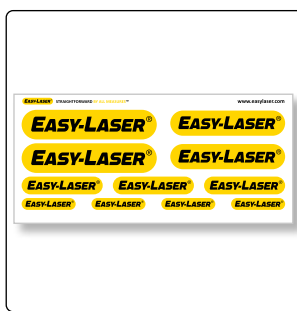
Pen
Part No: 13-0006
Description: With blue ink. Easy-Laser® logo as pictured. Good quality pen.
Note: Not always in stock. Price upon request.



Key holder
Part No: 01-1095
Description: With snap-hook and string for mobile phone.
Note: Not always in stock. Price upon request.



Logo sticker
Part No: 04-0125 (small), 04-0124 (large)
Description: Durable sticker with strong adhesive. Same sticker as on the system cases. Available in two sizes: 200x44 mm [7.87x1.73"] and 305x67 mm [12.01x2.64"].
Note: Price upon request.



Easy-Laser® logo stickers
Part No: 04-0252
Description: Sheet with laminated logo stickers with the following lengths: 100 mm (2 pcs), 85 mm (2 pcs), 60 mm (3 pcs) and 40 mm (4 pcs) / [3.94" (2 pcs), 3.35" (2 pcs), 2.36" (3 pcs), 1.57" (4 pcs)]
Note: -



Keychain with spirit level
Part No: 13-0013
Description: Keychain with spirit level (plastic block 40x15x15 mm). Easy-Laser® logo as pictured. For give-away purpose/not calibrated.
Note: Not always in stock. Price upon request.



A5 Notes
Part No: 13-0012
Description: 25 note papers, glued with cardboard back.
Note: -



Playing cards
Part No: 13-0007
Description: Deck of cards. International symbols. Easy-Laser® logo and web address "www.easylaser.com" printed as on picture.
Note: Not always in stock. Price upon request.



Notebook for the technician
Part No: 05-0792
Description: Notebook measuring 90x140 mm that fits easily into a pocket in your work clothes, with an insert comprising 38 pages of graph paper and conversion tables on the inside of the cover. Laser facts on back cover.
Note: Not always in stock. Price upon request.



Laser transmitter D246
(Discontinued)
 Part No: 12-0246
 Description: -
 Note: This product is discontinued and replaced by 12-0706.



Offset hub for D75
(Discontinued)
 Part No: 12-0132
 Description: -
 Note: This product is discontinued and replaced by 12-0661.



Detector Extruder, diameter 20 mm [0.79"]
(Discontinued)
 Part No: 12-0538



Offset hub with arms
(Discontinued)
 Part No: 12-0364
 Description: -
 Note: Replaced by 12-0707 + 12-0661.



Detector Linebore
(Discontinued)
 Part No: 12-0032



Detector D6
(Discontinued)
 Part No: 12-0201



Detector bracket "long stroke", Turbine
(Discontinued)
 Part No: 12-0248
 Note: Replaced by 12-0715.



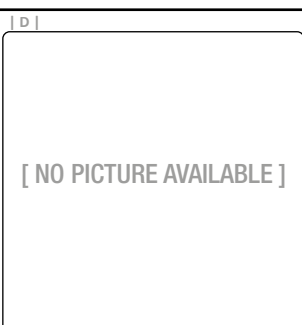
Magnet base bracket for Linebore detector
(Discontinued)
 Part No: 12-0329



System D670 Parallelism
(Discontinued)
 Part No: 12-0224
 Note: Please see system E970 instead.



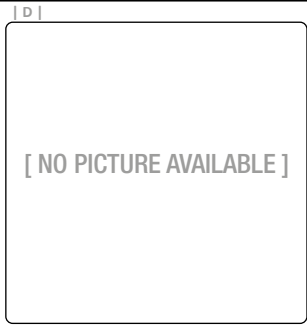
System D800 Machine Spin
(Discontinued)
 Part No: 12-0220
 Note: Please see system E915 instead.



System D660 Turbine
(Discontinued)
 Part No: 12-0185
 Note: Please see system E960 instead.



System D662 Turbine
(Discontinued)
 Part No: 12-0662
 Note: Please see system E960 instead.



**System D663 Turbine
(Discontinued)**

Part No: 12-0663
Note: Please see system E960 instead.



**System D664 Turbine
(Discontinued)**

Part No: 12-0664
Note: Please see system E960 instead.



**System D630 Extruder
(Discontinued)**

Part No: 12-0193
Note: Please see system E930 instead.



**System D640 Machine tool
(Discontinued)**

Part No: 12-0552
Note: Please see system E940 instead.



**System D652 Linebore
(Discontinued)**

Part No: 12-0652
Note: Please see system E950 instead.



**System D650 Linebore
(Discontinued)**

Part No: 12-0034
Note: Please see system E950 instead.



**System D600 Machine
(Discontinued)**

Part No: 12-0133
Note: Please see system E920 instead.



**System D525 Shaft
(Discontinued)**

Part No: 12-0231
Note: Please see system E710 instead.



**System D525 B Shaft
(Discontinued)**

Part No: 12-0235
Note: Please see system E710 instead.



**System D505 Shaft
(Discontinued)**

Part No: 12-0207
Note: Please see system E540 or E710 instead.



**System D480 Shaft
(Discontinued)**

Part No: 12-0422
Note: Please see system E540 or E710 instead.



**System D450 Shaft
(Discontinued)**

Part No: 12-0300
Note: Please see system E420 instead.



System E530 Shaft
(Discontinued)
 Part No: 12-0695
 Note: Please see system E710 or E540 instead.



Easy-Laser® D550 Extreme™ Ex/ATEX/IECEx
(Discontinued)
 Part No: 12-0340



Easy-Laser® D130 BTA Ex
(Discontinued)
 Part No: 12-0400



System D150 BTA digital
(Discontinued)
 Part No: 12-0310
 Note: Please see system XT190 instead.



System D160 BTA
(Discontinued)
 Part No: 12-0411
 Note: Please see system XT190 instead.



System E170 BTA
(Discontinued)
 Part No: 12-0659
 Note: Please see system XT190 instead.



System E180 BTA
(Discontinued)
 Part No: 12-0796 + (12-0850: system without laser transmitter)
 Note: Please see system XT190 instead.



Laser transmitter Ex for sheave/pulley alignment
(Discontinued)
 Part No: 12-0390



Detector for sheave/pulley alignment
(Discontinued)
 Part No: 12-0308
 Note: Please see system XT190 instead.



D-series Detector for belt alignment
(Discontinued)
 Part No: 12-0403
 Note: Please see system XT190 instead.



E-series Detector for belt alignment
(Discontinued)
 Part No: 12-0657
 Note: Please see system XT190 instead.



E-series wireless Detector for belt alignment
(Discontinued)
 Part No: 12-0791
 Note: Please see system XT190 instead.



Measuring unit M, PSD 10x10 mm
(Discontinued)
 Part No: 12-0001



Measuring unit M, PSD 10x10 mm
(Discontinued)
 Part No: 12-0002



Measuring unit M, PSD 18x18 mm, inclinometer
(Discontinued)
 Part No: 12-0119



Measuring unit S, PSD 18x18 mm, inclinometer
(Discontinued)
 Part No: 12-0120



Measuring unit M, PSD 10x10 mm, inclinometer
(Discontinued)
 Part No: 12-0423



Measuring unit M, PSD 10x10 mm, inclinometer
(Discontinued)
 Part No: 12-0424



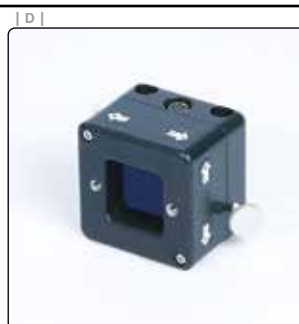
Measuring unit S, PSD 30x30 mm, inclinometer
(Discontinued)
 Part No: 12-0260



Measuring unit M, PSD 30x30 mm, inclinometer
(Discontinued)
 Part No: 12-0256



Measuring unit M, 2 axis, PSD 18x18 mm, inclinometer
(Discontinued)
 Part No: 12-0116



Detector 30 mm, D-series
(Discontinued)
 Part No: 12-0255



Detector D5
(Discontinued)
 Part No: 12-0005



Detector E4
(Discontinued)
 Part No: 12-0702
Note: Please see Detector E5 or E7 instead.



**Measuring unit ELS30,
PSD 30 mm
(Discontinued)**
Part No: 12-0697



**Measuring unit ELS30,
PSD 30 mm
(Discontinued)**
Part No: 12-0698



**Detector D157
(Discontinued)**
Part No: 12-0157



**Detector E8, 1-axis PSD
(Discontinued)**
Part No: 12-0758
Note: Please see Detector E9
instead.



**Measuring unit M, Ex-
treme™ (Discontinued)**
Part No: 12-0334



**Measuring unit M, Ex-
treme™ (Discontinued)**
Part No: 12-0335



**Display unit Extreme™
EX: D336 (Discontinued)**
Part No: 12-0336



**Display unit D-series:
D279 (Discontinued)**
Part No: 12-0279



**AC adaptor for Display
unit D279 (Discontinued)**
Part No: 12-0590



**Display unit for sheave/
pulley alignment
(Discontinued)**
Part No: 12-0404



**Magnetic bracket
(Discontinued)**
Part No: 12-0413
Note: Replaced by 12-1147.



**Magnetic bracket
(Discontinued)**
Part No: 12-1011
Note: Replaced by 12-1147.



Offset bracket
(Discontinued)
 Part No: 01-0076
 Note: Please see 01-1165 instead.



AC adaptor for D22 and D75
(Discontinued)
 Part No: 12-0205



AC adaptor for D23
(Discontinued)
 Part No: 12-0294



Extension chain
(Discontinued)
 Part No: 12-0319
 Note: Please see 12-0128 instead.



Height adjustment bracket for D6
(Discontinued)
 Part No: 12-0417



Sun visor for D6
(Discontinued)
 Part No: 01-1352



Large target extruder
(Discontinued)
 Part No: 12-0199
 Note: Please see 12-0810 instead.



Measuring tape, 2 m [6.5']
(Discontinued)
 Part No: 12-0012



Carrying case for system E540 and E530
(Discontinued)
 Part No: 03-1007
 Note: Replaced by cases 12-1020 and 12-1025.



CD
(Discontinued)
 Part No: 06-0001



Transportation case Ex Large
(Discontinued)
 Part No: 12-0456



Printer 220 V
(Discontinued)
 Part No: 03-0032
 Note: Replaced by 03-1323.

| D |

**Printer 110 V****(Discontinued)**

Part No: 03-0341

Note: Replaced by 03-1323.

| D | E |

**Sliding bracket****(Discontinued)**

Part No: 12-0039

Note: Please see 12-1010 instead.

| D | E |

**Back Pack System Large****(Discontinued)**

Part No: 03-1044

Note: -

| D | E |

**Back Pack System Large****(Discontinued)**

Part No: 03-1045

Note: -

| E |

**E-series Vibrometer probe E285****(Discontinued)**

Part No: 12-0656

Note: -

| D |

**D-series Vibrometer probe D283****(Discontinued)**

Part No: 12-0283

Note: -

| E |

**Wireless units kit for E530****(Discontinued)**

Part No: 12-0739

Note: -

| E |

**Wireless unit for E530****(Discontinued)**

Part No: 12-0738

Note: -

| D | E |

**Adapter bracket for 40 mm rod distance****(Discontinued)**

Part No: 12-0815

Note: -

| D |

**Magnet base with turnable head, for D157****(Discontinued)**

Part No: 12-0608

Note: -

| D |

**Cam shaft bracket****(Discontinued)**

Part No: 12-0476

Note: -

| D550 |

**Sun visor D550****(Discontinued)**

Part No: 12-0592

Note: -



Barcode sticker (Discontinued)

Part No: 04-0147

Note: Please see Part No. 04-0307 instead.



Large extruder adapter/ bracket (Discontinued)

Part No: -

Note: Maximum size for extruder brackets is 200 mm.



Angular prism D46 (Discontinued)

Part No: 12-0046

Description: Angular prism with built-in penta prism which deflects the beam 90°.

Note: Replaced by 12-1136.



Charger 12-36V for car (Discontinued)

Part No: 12-0585



Bracket for non-magnetic flanges, with handheld detector bracket (Discontinued)

Part No: 12-0628



Battery pack (Discontinued)

Part No: 12-0617

Note: Please see 12-0618 instead.



Cable tester (Discontinued)

Part No: 12-0362



VGA/HDMI kit (Discontinued)

Part No: 12-0573



System E940 Machine tool (Discontinued)

Part No: 12-0761

Note: Ask your local distributor for possible replacement solutions.



Shaft alignment system for Vestas (Discontinued)

Part No: 12-0797 (Vestas 4)

Part No: 12-0825 (Vestas 3)

Note: Replaced by 12-1143, 12-1142 and 12-1183.

[This page left blank intentionally]



TECHNICAL SPECIFICATIONS

READ THIS INFORMATION CAREFULLY

- On the following pages technical specifications for the most common units can be found. We will not list all products here.
- You should always also read the complete product description to find out about compatibility with other Easy-Laser® products.
- Please note that the measurement range for laser transmitters is the maximum range, and in reality depends on the detector used and the application.
- Operating times also depends on the actual application, therefore it is not specified for all products. See system specifications in each brochure for more detailed information.
- The drawings show the most important measures. Because of limited space we cannot always place the projections according to European drawing projection, but that is otherwise the method used.
- Specifications are quoted to 95% confidence level (coverage factor $k=2$).



COMPATIBILITY BETWEEN D, E AND XT

- The D-series, E-series and XT-series detectors and display units can only be used within its own product series.
Note! One exception is the sheave alignment detector 12-1054, which can be connected to XT11, E51 and E52.
- Brackets for D- and E-series has a rod C–C of 40 mm, XT-series rod C–C is 56 mm. The new XT offset bracket (12-1008) function as an adaptor for these two measures, but doesn't fit all older brackets. We will of course continue the development and adaptation of brackets.
Note! The discontinued system D550 has a rod C–C of 70 mm.

Software communication



Brackets



SPECIFICATIONS FOR BUILT-IN RECHARGEABLE BATTERIES:

Easy-Laser Part No.	Type	Voltage	Output	Capacity	Included in Part No.
03-0757	Li-Ion	3.65 V	41.61 Wh	10400 mAh	12-0418, 12-0700, 12-0748
03-0765	Li-Ion	3.7 V	2.5 Wh	660 mAh	12-0433, 12-0434, 12-0509, 12-0688, 12-0702, 12-0738, 12-0752, 12-0759, 12-0758, 12-0799, 12-0824, 12-0846
03-0971	Li-Ion	3.6 V	9.36 Wh	2600 mAh	12-0617, 12-0618, 12-0823, 12-0845
03-1052	Li-Ion	3.7 V	1.22 Wh	330 mAh	12-0746, 12-0747, 12-0776, 12-0777, 12-0791, 12-1054
12-0953	Li-Ion	3.7 V	7.4 Wh	2000 mAh	12-0944, 12-0943, 12-1028, 12-1029
12-0952	Li-Ion	7.3 V	41.61 Wh	5700 mAh	12-0961 (2 pcs)
12-0983	Li-Ion	3.7 V	7.4 Wh	2000 mAh	12-1026, 12-1027
N/A	Li-Ion	3.8 V	16.91 Wh	4450 mAh	12-1086



Miscellaneous



Wireless unit, Part No. 12-0436	
Communication	BT wireless technology
Temperature range	-10–50 °C
Environmental protection	IP class 66 and 67
Housing material	ABS
Dimensions	WxHxD: 53x32x24 mm [2.1"x1.2"x0.9"]
Weight	25 g [0.9 oz]
FCC ID	PVH0946, IC: 5325A-0946



Vibrometer probe XT280, Part No. 12-1090 (system)	
Frequency range	2 Hz to 1kHz (ISO) 1 kHz to 10 kHz (BDU)
Max frequency resolution	1.25 Hz @ 800 lines FFT setting
Displayed amplitude units	Acceleration in g Velocity in mm/s (or inch/s) Bearing noise in BDU (bearing damage units)
Displayed Frequency Units	Hertz (Hz), RPM or CPM
Input range	User selectable with accelerometer sensitivity
Dynamic range	96 dB (0.01g resolution)
VA diagnostic bands (RPM=run speed)	Unbalance 1x RPM Alignment 2x RPM Looseness 3x RPM
Operating temperature	0°C to 50°C
Storage temperature	-20°C to 70°C
Battery type	2 x AA batteries
Battery operation	20 hours continuously (depending on brightness setting)
Environmental protection	IP67
Material	ABS plastics / Hard anodized aluminium
Dimensions	WxHxD: 200 mm x 60mm x 26mm [7.8 x 2.4 x 1.0"]
Weight	280 g [9.8 oz]
FCC ID	FCC ID: QOQBT121

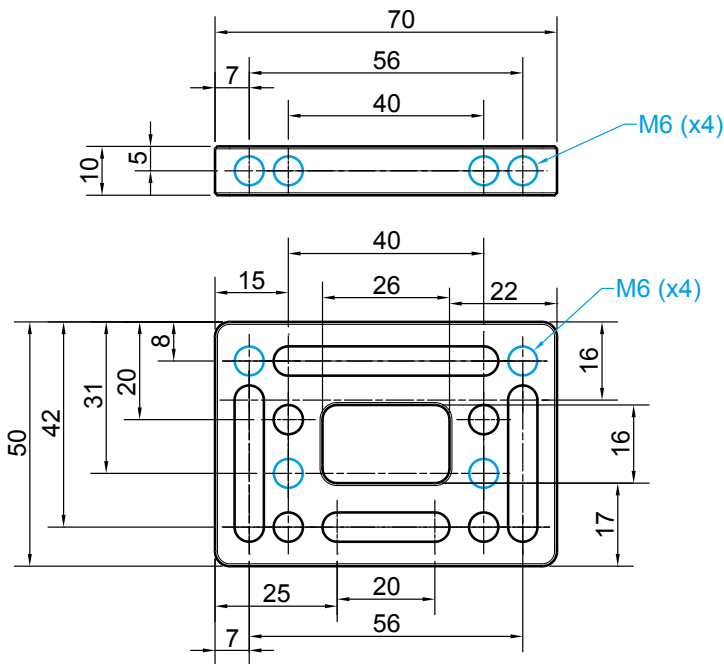


Battery pack with built-in wireless unit, Part No. 12-0618	
Communication	BT wireless technology
Internal battery	Li Ion
Temperature range	-10–50 °C
Connection cable	0.16 m [6.3"], included
Housing material	Anodized aluminium + POM
Dimensions	WxHxD: 60x85x43 mm [2.36"x3.35"x1.69"]
Weight	180 g [6.3 oz]
FCC ID	PVH0946, IC: 5325A-0946



Offset bracket, Part No. 12-1008

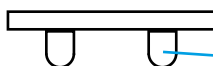
Blue circles are threaded holes. mm



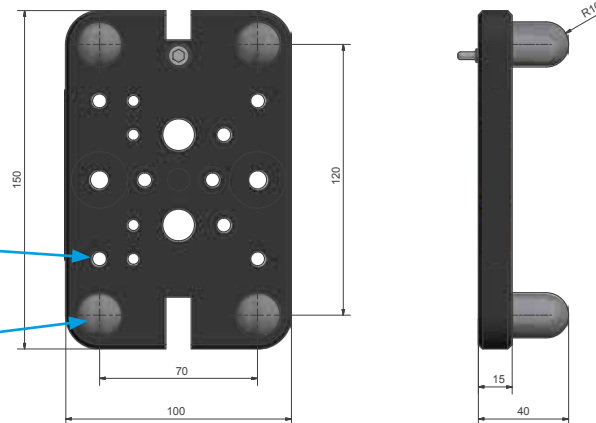
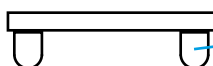
Sliding bracket, Part No. 12-1010



Min. Ø60 mm
Max. Ø155 mm



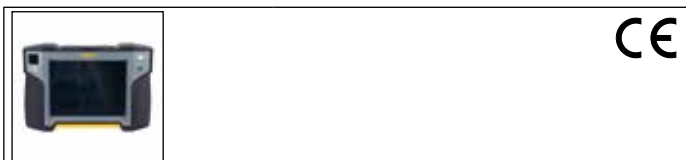
Min. Ø155 mm
Max. Ø350 mm



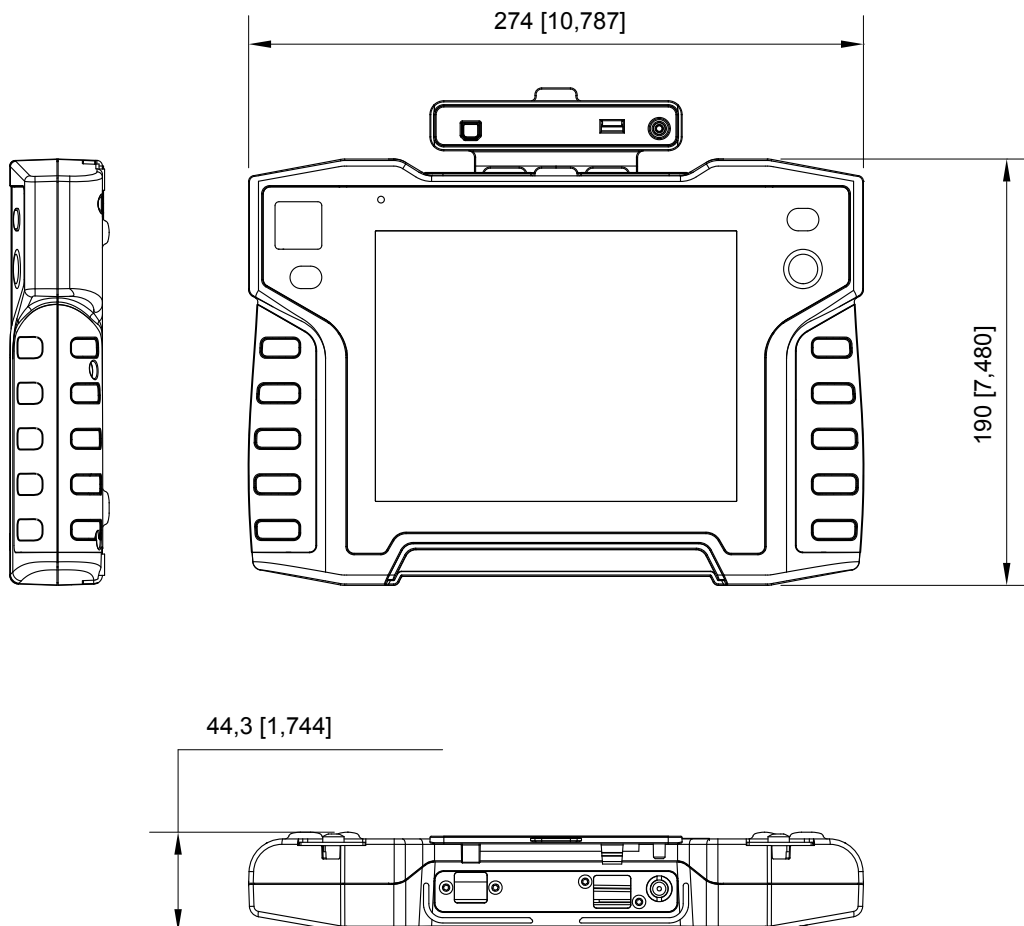
Easy-Laser® is manufactured by Easy-Laser AB, Alfagatan 6, 431 49 Mölndal, Sweden, +46 31 708 63 00, info@easylaser.com, www.easylaser.com © Easy-Laser AB. We reserve the right to make modifications without prior notification. Easy-Laser® is a registered trademark of Easy-Laser AB.

Display unit XT11, Part No. 12-0961

mm [inch]





Type of display/size	SVGA 8" colour screen, backlit LED, multitouch
Battery type	Heavy duty Li Ion chargeable
Operating time	Up to 16 h continuously
Connections	USB A, USB B, Charger, AV (HDMI)
Communication	Wireless technology, WiFi
Camera, with diode lamp	13 Mp
IR camera (optional)	FLIR LEPTON® 0–450° [32–842°F]
Help functions	Built-in manual
Environmental protection	IP class 66 and 67
Operating temperature	-10–50 °C
Storage temperature	-20–50 °C
Relative humidity	10–95%
OLED display	96x96 pixels
Housing material	PC/ABS + TPE
Dimensions	WxHxD: 274x190x44 mm [10.8x7.5x1.7"]
Weight	1450 g [3.2 lbs]

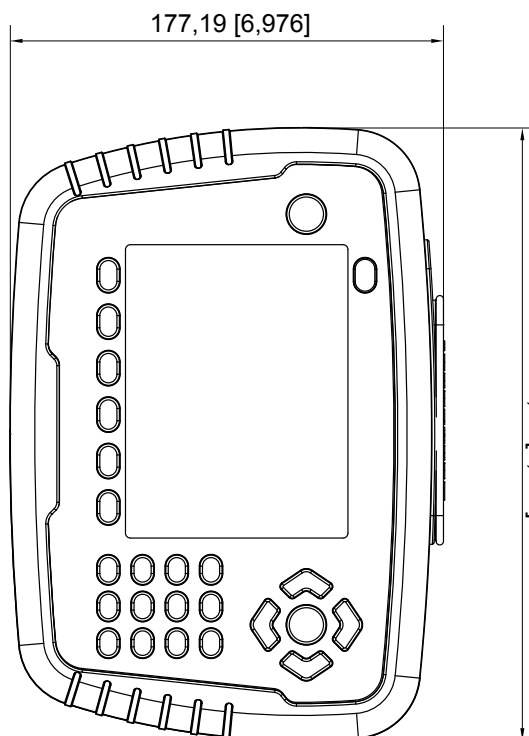


Easy-Laser® is manufactured by Easy-Laser AB, Alfagatan 6, 431 49 Mölndal, Sweden, +46 31 708 63 00, info@easylaser.com, www.easylaser.com © Easy-Laser AB. We reserve the right to make modifications without prior notification. Easy-Laser® is a registered trademark of Easy-Laser AB. Contains FCC ID: 2AFDI-ITCNFA324 IC: 9049A-ITCNFA324.


Display unit E51, Part No. 12-0418

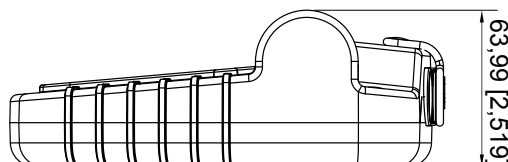
		
Type of display/size	VGA 5.7" colour screen, backlit LED	
Displayed resolution	0.001 mm / 0.05 thou (0.0001 mm with HyperPSD units)	
Power management	Endurio™ system for unbroken power supply	
Internal battery (fixed)	Heavy duty Li Ion chargeable	
Battery compartment	For 4 x R14 (C)	
Temperature range	-10–50 °C	
Connections	USB A, USB B, Easy-Laser® units, Charger	
Communication	BT wireless technology and cable	
Internal memory	>100 000 measurements can be saved	
Help functions	Calculator, Unit converter	
Environmental protection	IP class 65	
Housing material	PC/ABS + TPE	
Dimensions	WxHxD: 250x175x63 mm [9.8"x6.9"x2.5"]	
Weight (without batteries)	1080 g [2.4 lbs]	

mm [inch]





Display unit E52, Part No. 12-0700

		
Type of display/size	VGA 5.7" colour screen, backlit LED	
Displayed resolution	0.001 mm / 0.05 thou	
Internal battery (fixed)	Heavy duty Li Ion chargeable	
Temperature range	-10–50 °C	
Connections	USB A, USB B, Easy-Laser® units, Charger	
Communication	BT wireless technology	
Internal memory	>100 000 measurements can be saved	
Help functions	Calculator, Unit converter	
Environmental protection	IP class 65	
Housing material	PC/ABS + TPE	
Dimensions	WxHxD: 250x175x63 mm [9.8"x6.9"x2.5"]	
Weight	1020 g [2.3 lbs]	




Display unit E53, Part No. 12-0748

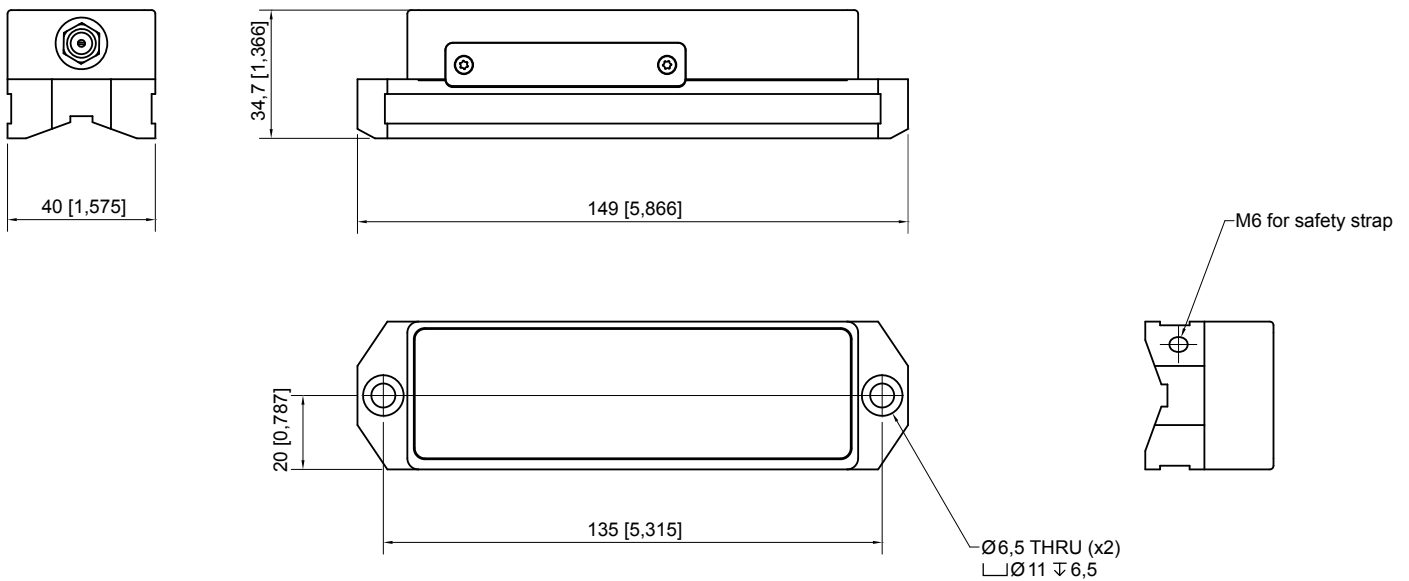
		
Type of display/size	VGA 5.7" colour screen, backlit LED	
Displayed resolution	0.001 mm / 0.05 thou	
Internal battery (fixed)	Heavy duty Li Ion chargeable	
Temperature range	-10–50 °C	
Connections	USB A, Charger	
Communication	BT wireless technology	
Internal memory	>2000 measurements can be saved	
Help functions	Calculator, Unit converter	
Environmental protection	IP class 65	
Housing material	PC/ABS + TPE	
Dimensions	WxHxD: 250x175x63 mm [9.8"x6.9"x2.5"]	
Weight	910 g [2.0 lbs]	




Digital Precision Level, Part No. 12-0846

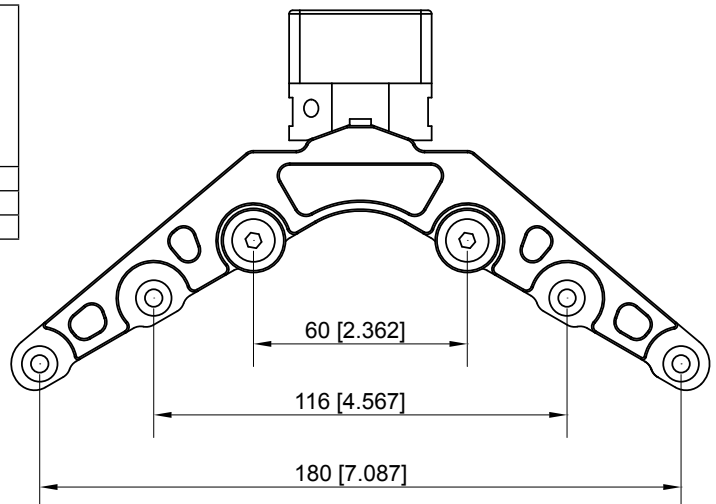
mm [inch]

 <div style="float: right; font-size: 2em;">CE</div>	
Displayed resolution	OLED: 0.01 mm/m (0.001°)/App: 0.001 mm/m (0.001°)
Range	± 2 mm/m
Measurement error	Better than ± 0.02 mm/m
Type of display	OLED
Communication	BT wireless technology Contains FCC ID: PVH0946, IC: 5325A-0946.
Environmental protection	IP Class 67
Operating temperature	-10–50 °C
Internal battery	Li Ion
Material	Anodized aluminium , ABS plastics
Dimensions	WxHxD: 149x40x35 mm [5.9x1.6x1.4"]
Weight	530 g [18.7oz]



Extension kit for Precision Level, Part No. 12-0901

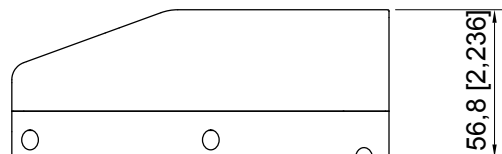
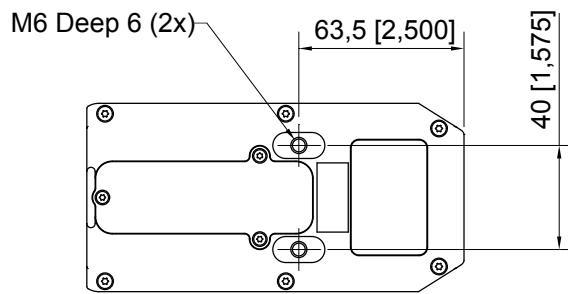
	
For diameters	55–800+ mm [2.16–31.50+"]
Material	Anodized aluminium , Stainless steel feet
Weight	430g [15.2 oz]



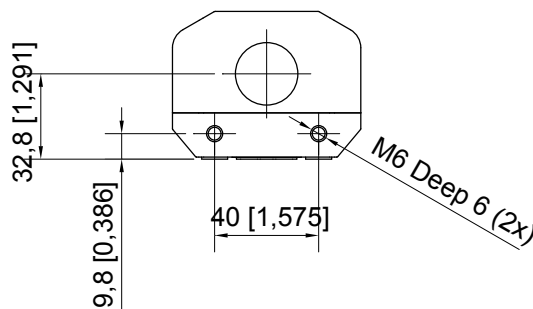
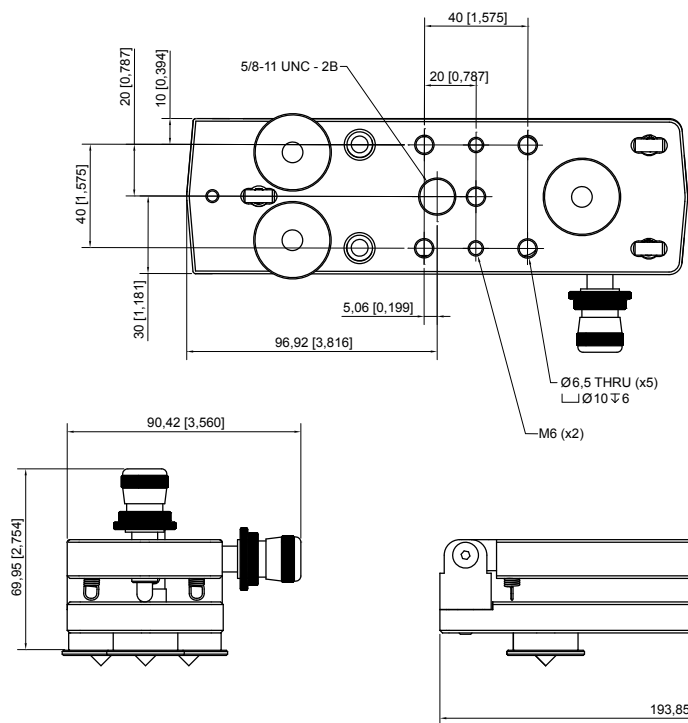
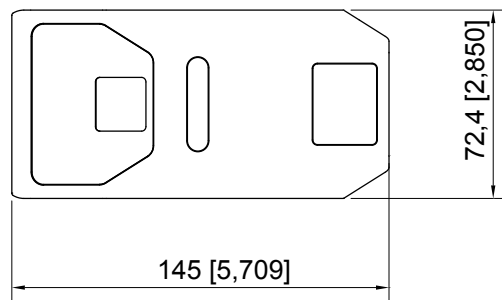
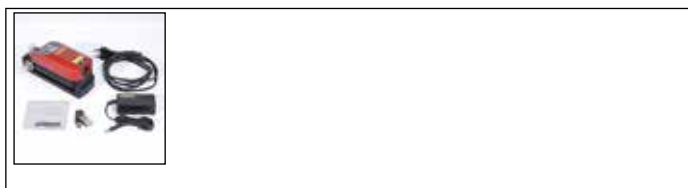
Laser transmitter E30 Long range, Part No. 12-0823

	
 	
Laser	Diode laser
Laser wave length	630-680 nm
Adjustable modulation	0, 5, 32, 40, 100 KHz
Output power	AVERAGE POWER < 1 mW. PULSE ENERGY < 12-132 nJ (pulsed mode). PULSE DURATION 10-110 us (pulsed mode).
Beam diameter	12 mm (1/2") at aperture
Working area with 20mm detector	0-100 meter [328 ft]
Working area with 30mm detector	0- >200 meter [656 ft]
Type of battery	Li Ion
Operating time	>24 h
Operating temperature	-10 to 50 °C
Environmental protection	IP67
Wireless communication	BT wireless technology (passive). Contains FCC ID: PVH0946, IC: 5325A-0946.
Chock sensor	6 axis mems gyro with inclinometer
Type of display	0-led 96x96 pixel
Charging power	5-12 V DC
Housing material	Anodized aluminium T6060
Dimensions	WxHxD: 145.0x72.4x56.8 mm [5.71x2.85x2.24"]
Weight	620g [21.7 oz]

mm [inch]



Laser transmitter E30 Long range, with tilt table, Part No. 12-0858



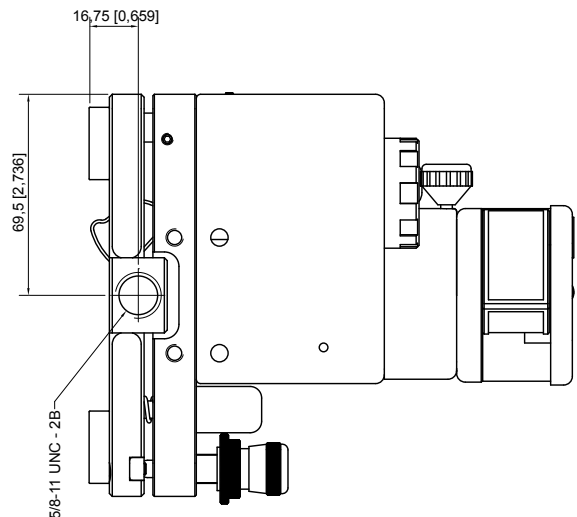
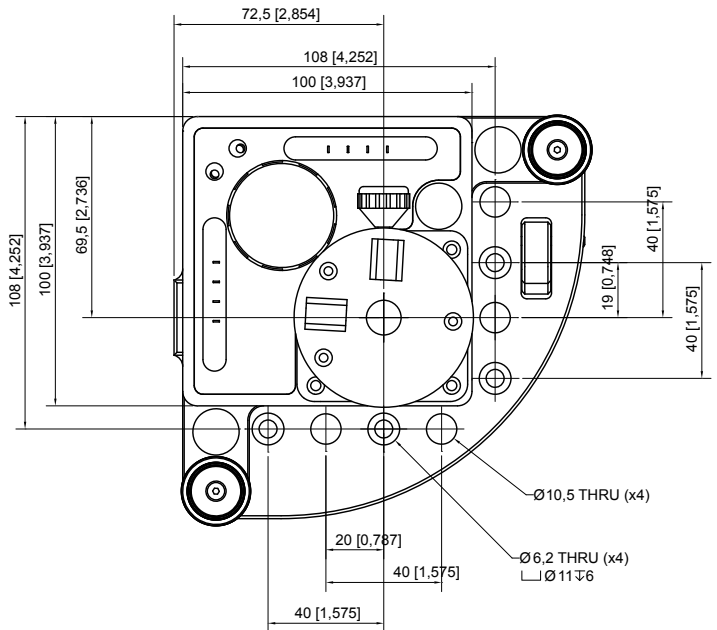
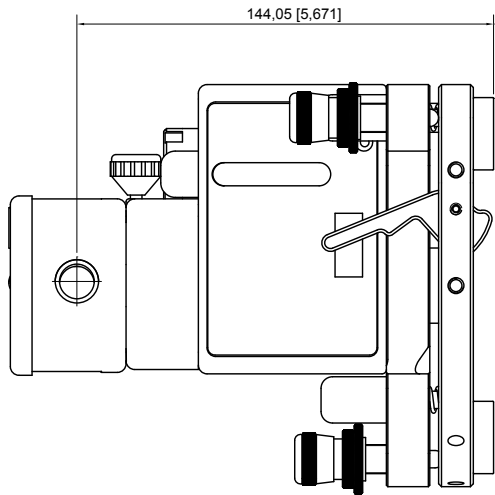
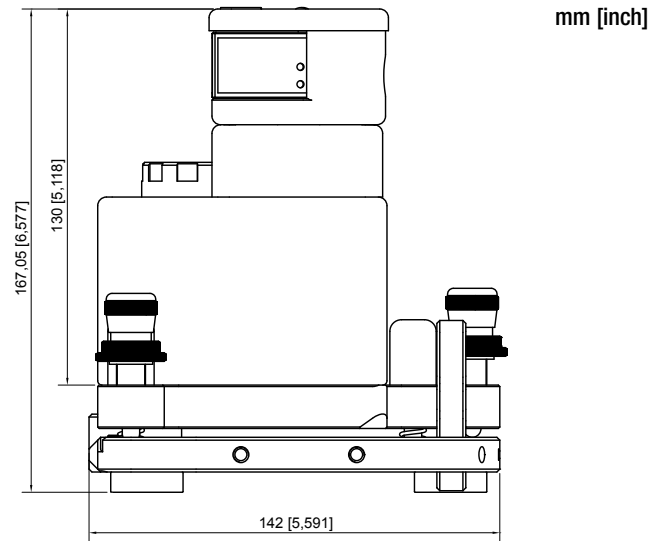
Easy-Laser® is manufactured by Easy-Laser AB, Alfagatan 6, 431 49 Mölndal, Sweden, +46 31 708 63 00, info@easylaser.com, www.easylaser.com © Easy-Laser AB. We reserve the right to make modifications without prior notification. Easy-Laser® is a registered trademark of Easy-Laser AB. Complies with: 21 CFR 1040.10 and 1040.11 except for deviations pursuant to Laser Notice No. 50, dated June 24 2007.

Laser transmitter D22, Part No. 12-0022



CAUTION
LASER RADIATION
DO NOT STARE INTO BEAM
CLASS 2 LASER PRODUCT

Type of laser	Diode laser
Laser wavelength	630–680 nm
Laser Safety Class	Class 2
Output power	AVERAGE POWER < 0.6 mW. PULSE ENERGY < 20 nJ. PULSE DURATION 10-17 µs.
Beam diameter	6 mm [1/4"] at aperture
Working area, range	40-metre radius [130"]
Type of battery	1 x R14 (C)
Operating time/battery	approx. 24 hours
Levelling range	± 30 mm/m [± 1.7°]
3 x spirit vials' scaling	0.02 mm/m
Squareness between laser beams	±0.01 mm/m [±0.01 mils/inch] [2 arc sec.]
Flatness of sweep	±0.01 mm/m
Fine turning of laser head	±0.1 mm/m [20 arc sec.]
2 x spirit vials for rotation of head	±5 mm/m
Housing material	Aluminium
Dimensions	WxHxD: 139x169x139 mm [5.47x6.64x5.47"]
Weight	2650 g [5.8 lbs]



Easy-Laser® is manufactured by Easy-Laser AB, Alfagatan 6, 431 49 Mölndal, Sweden, +46 31 708 63 00, info@easylaser.com, www.easylaser.com
© Easy-Laser AB. We reserve the right to make modifications without prior notification. Easy-Laser® is a registered trademark of Easy-Laser AB.
Complies with: 21 CFR 1040.10 and 1040.11 except for deviations pursuant to Laser Notice No. 50, dated June 24 2007.

Laser transmitter D22, Part No. 12-0022



Examples of use

The D22 can be mounted in various ways. Below are just some examples. The important thing is to always tighten rods, screws and magnets firmly. Also be sure the surface where the magnets are attached is clean. If possible use the safety strap.



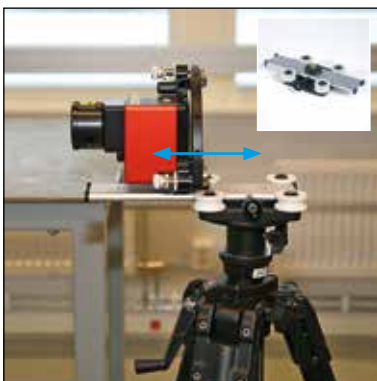
On tripod (Part No. 12-0269).



With super magnets on tilt table (included) directly on surface.



Feet with points (included), on non magnetic surface.



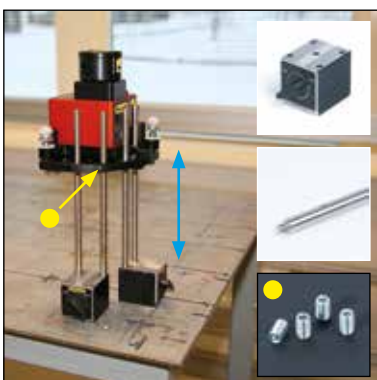
On sliding table for tripod Part No. 12-0202. For easy alignment to detector.



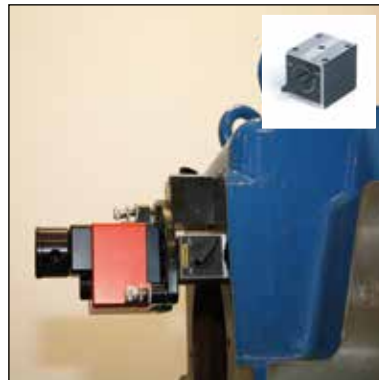
In a machine spindle. Spindle/magnet base pin Part No. 01-1333.



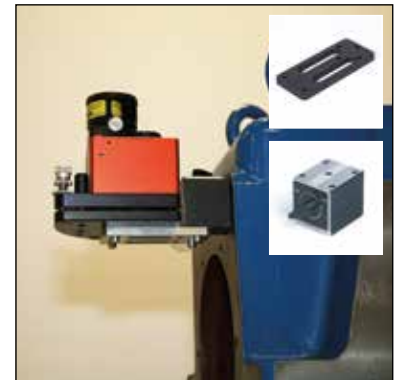
Vertical mounting on roll. Adapter plate Part No. 12-0874.



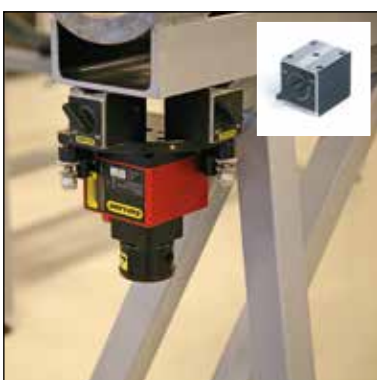
Rigid mounting, still easy to height adjust. Use rods of suitable length.



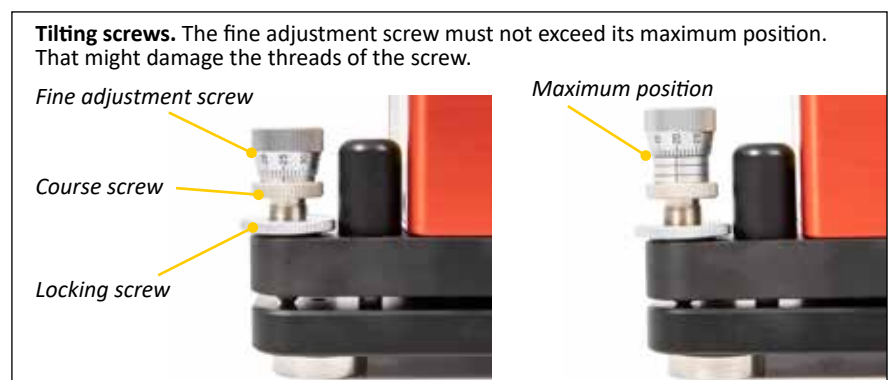
With magnet bases, very rigid mounting.



Rigid mounting, horizontal sweep.

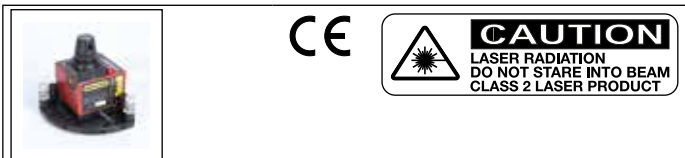


With magnet bases, very rigid mounting.



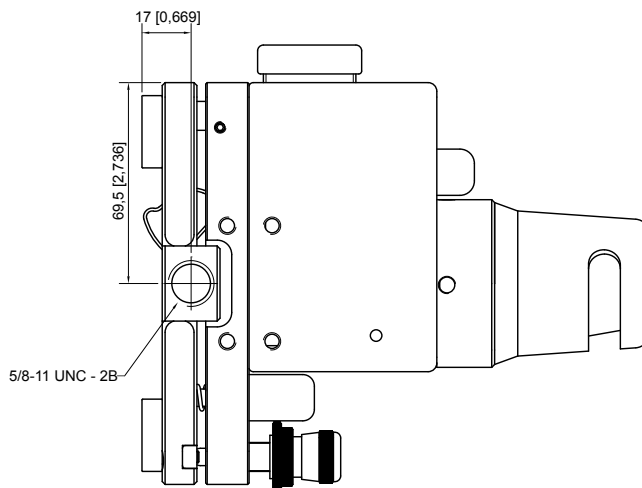
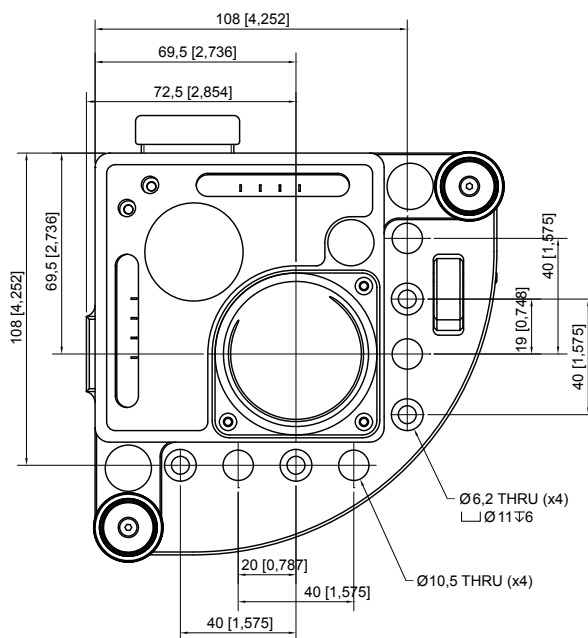
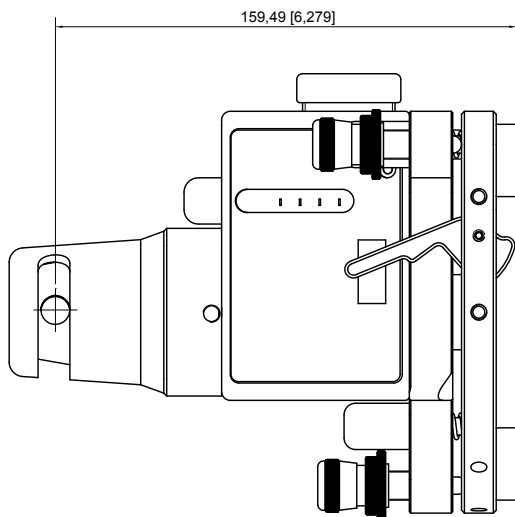
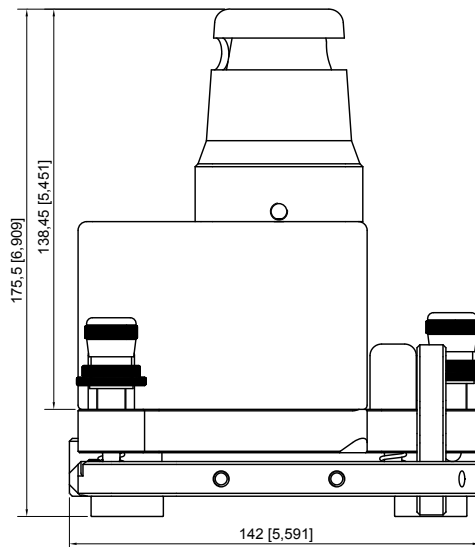
Easy-Laser® is manufactured by Easy-Laser AB, Alfagatan 6, 431 49 Mölndal, Sweden, +46 31 708 63 00, info@easylaser.com, www.easylaser.com
 © Easy-Laser AB. We reserve the right to make modifications without prior notification. Easy-Laser® is a registered trademark of Easy-Laser AB.
 Complies with: 21 CFR 1040.10 and 1040.11 except for deviations pursuant to Laser Notice No. 50, dated June 24 2007.

Laser transmitter D23 Spin, Part No. 12-0168



Type of laser	Diode laser
Laser wavelength	630–680 nm
Laser Safety Class	Class 2
Output power	AVERAGE POWER < 1 mW. PULSE ENERGY 2-9 µJ (spin mode) or < 20 nJ (stationary mode). PULSE DURATION 2-9 ms (spin mode) or 10-17 µs (stationary mode).
Beam diameter	6 mm [1/4"] at aperture
Working area, range	20-metre radius [65']
Type of battery	2 x R14 (C)
Operating time/battery	approx. 15 hours
Operating temperature	0–50 °C
Levelling range	± 30 mm/m [± 1.7°]
3 x spirit vials' scaling	0.02 mm/m
Flatness of sweep	0.02 mm/m
Housing material	Aluminium
Dimensions	WxHxD: 139x169x139 mm [5.47x6.64x5.47"]
Weight	2650 g [5.8 lbs]

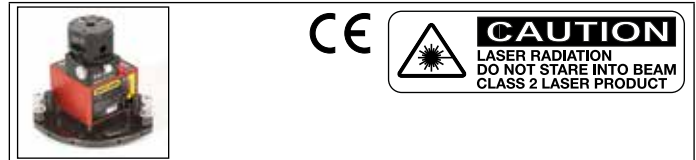
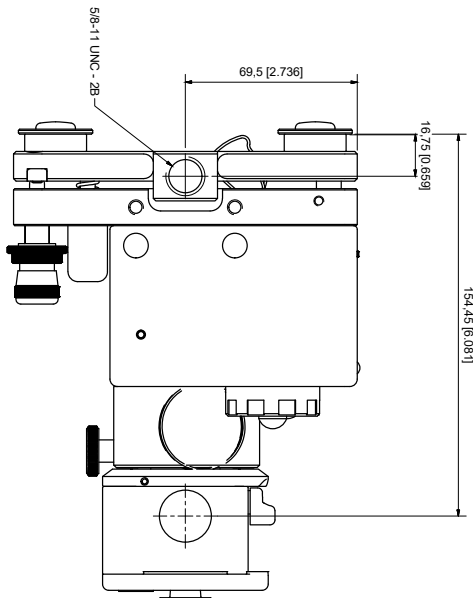
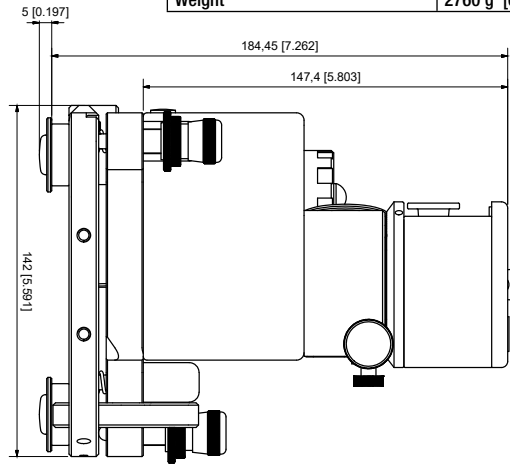
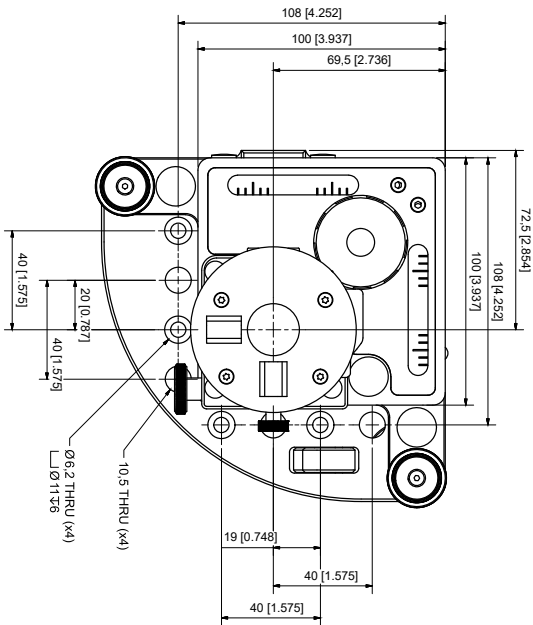
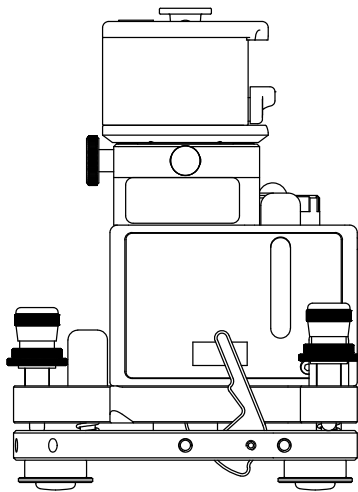
mm [inch]



Easy-Laser® is manufactured by Easy-Laser AB, Alfagatan 6, 431 49 Mölndal, Sweden, +46 31 708 63 00, info@easylaser.com, www.easylaser.com © Easy-Laser AB. We reserve the right to make modifications without prior notification. Easy-Laser® is a registered trademark of Easy-Laser AB. Complies with: 21 CFR 1040.10 and 1040.11 except for deviations pursuant to Laser Notice No. 50, dated June 24 2007.

Laser transmitter D26, Part No. 12-1064

mm [inch]



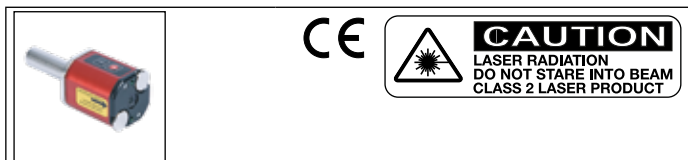
Type of laser	Diode laser, fiber coupled
Laser wavelength	630–680 nm
Laser Safety Class	Class 2
Output power	AVERAGE POWER < 0.6 mW. PULSE ENERGY < 20 nJ. PULSE DURATION 10–17 µs.
Beam diameter	6 mm [1/4"] at aperture
Working area, range	30-metre radius [99']
Type of battery	1 x R14 (C)
Operating time/battery	approx. 24 hours
Levelling range	±30 mm/m [± 1.7°]
3 x spirit vials' scaling	0.02 mm/m
Squareness between laser beams	±0.004 ±0.002/M mm/m [±0.004 ±0.007/F mils/inch] *
Flatness of sweep, 360° sector	±0.0081 ±0.0055M mm [±0.32 ±0.066F mils] *
Flatness of sweep, 90° sector	±0.0025 ±0.0012M mm [±0.10 ±0.015F mils] *
	* M is the measurement range in meters [m]. F is the measurement range in feet [ft].
Fine turning of laser head	±0.1 mm/m [20 arc sec.]
2 x spirit vials for rotation of head	±5 mm/m
Housing material	Aluminium
Dimensions	WxHxD: 142x184x139 mm [5.59x7.24x5.47"]
Weight	2760 g [6.1 lbs]



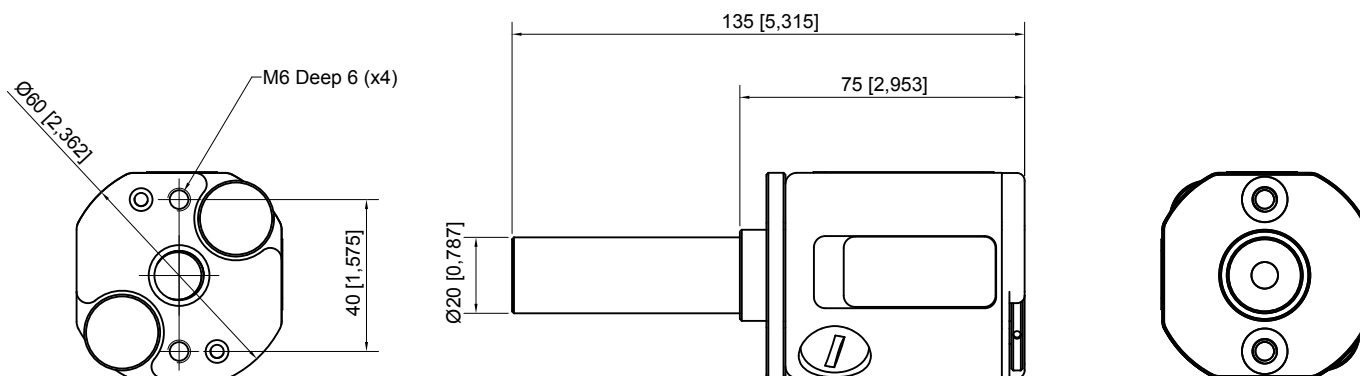
Easy-Laser® is manufactured by Easy-Laser AB, Alfagatan 6, 431 49 Mölndal, Sweden, +46 31 708 63 00, info@easylaser.com, www.easylaser.com © Easy-Laser AB. We reserve the right to make modifications without prior notification. Easy-Laser® is a registered trademark of Easy-Laser AB. Complies with: 21 CFR 1040.10 and 1040.11 except for deviations pursuant to Laser Notice No. 50, dated June 24 2007.

Laser transmitter D146 Spindle, Part No. 12-0146

mm [inch]






Type of laser	Diode laser
Laser wavelength	630–680 nm
Laser Safety Class	Class 2
Output power	AVERAGE POWER < 0.6 mW. PULSE ENERGY < 20 nJ. PULSE DURATION 10-17 µs.
Beam diameter	3 mm [1/8"] at aperture
Measurement distance	20 m [65']
Type of battery	1 x R6 (AA)
Operating time/battery	approx. 6 hours
Clamping pin	∅ 20 mm, L= 60 mm [∅ 0.78", L=2.36"]
Housing material	Anodized aluminium
Dimensions (without pin)	∅ 60 mm, L=98 mm [∅ 2.36", L=3.86"]
Weight (with pin)	470 g [16.5 oz]

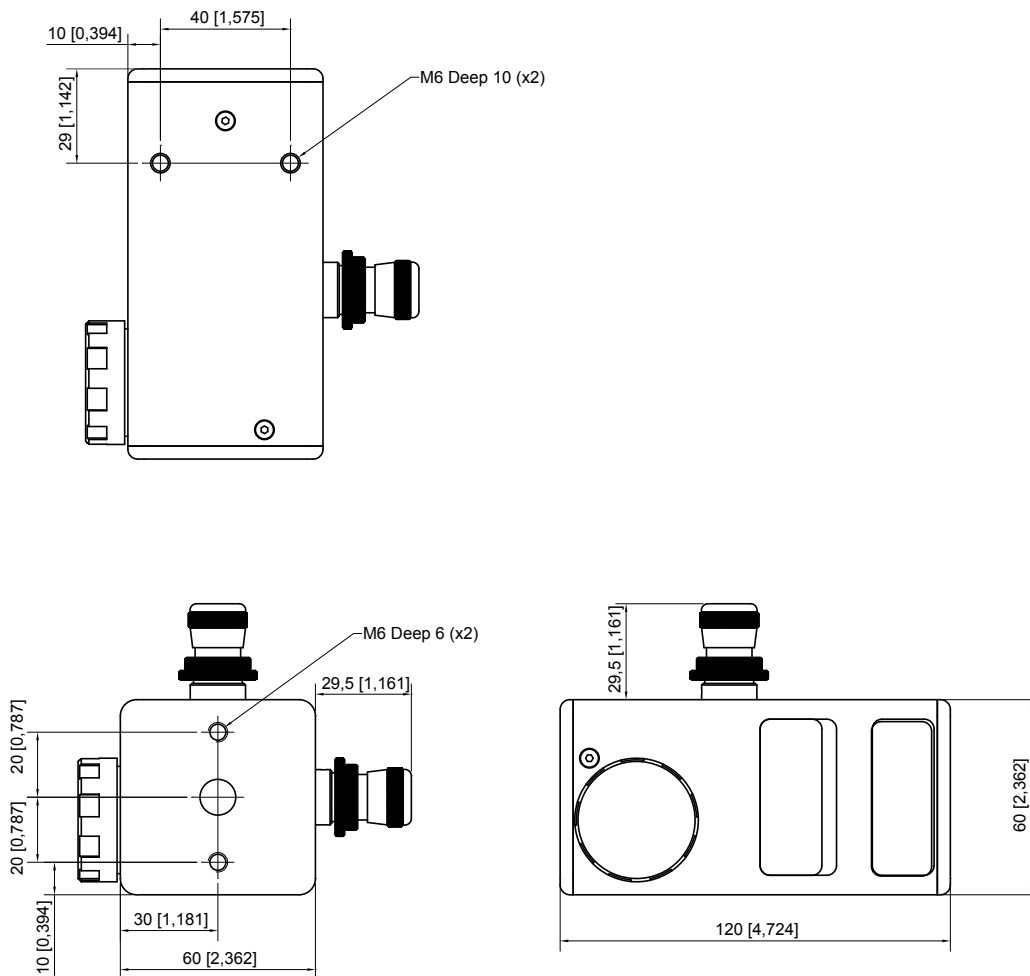


Easy-Laser® is manufactured by Easy-Laser AB, Alfagatan 6, 431 49 Mölndal, Sweden, +46 31 708 63 00, info@easylaser.com, www.easylaser.com
 © Easy-Laser AB. We reserve the right to make modifications without prior notification. Easy-Laser® is a registered trademark of Easy-Laser AB.
 Complies with: 21 CFR 1040.10 and 1040.11 except for deviations pursuant to Laser Notice No. 50, dated June 24 2007.

Laser transmitter D75, Part No. 12-0075

mm [inch]

	
 	
Type of laser	Diode laser
Laser wavelength	630–680 nm
Laser Safety Class	Class 2
Output power	AVERAGE POWER < 0.6 mW. PULSE ENERGY < 20 nJ. PULSE DURATION 10-17 µs.
Beam diameter	6 mm [1/4"] at aperture
Working distance	40-metre [130']
Type of battery	1 x R14 (C)
Operating time/battery	approx. 15 hours
Operating temperature	0–50 °C
Laser adjustment	D75: 2 ways ±2° (± 35 mm/m)
Housing material	Aluminium
Dimensions D75	WxHxD: 60x60x120 mm [2.36x2.36x4.72"]
Weight	780 g [27.5 oz]



Easy-Laser® is manufactured by Easy-Laser AB, Alfagatan 6, 431 49 Mölndal, Sweden, +46 31 708 63 00, info@easylaser.com, www.easylaser.com © Easy-Laser AB. We reserve the right to make modifications without prior notification. Easy-Laser® is a registered trademark of Easy-Laser AB. Complies with: 21 CFR 1040.10 and 1040.11 except for deviations pursuant to Laser Notice No. 50, dated June 24 2007.

Laser transmitter D25 with offset hub, Part No. 12-0706



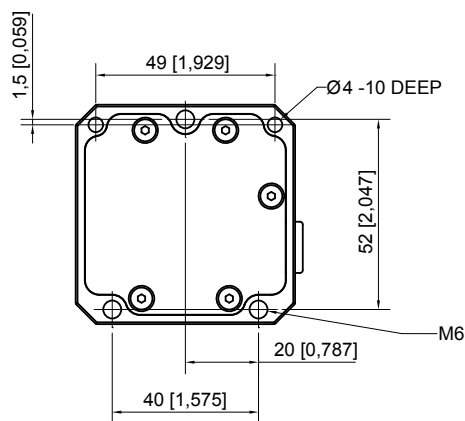
CE




CAUTION
LASER RADIATION
DO NOT STARE INTO BEAM
CLASS 2 LASER PRODUCT

Type of laser	Diode laser
Laser wavelength	630-680 nm
Laser Safety Class	Class 2
Output power	AVERAGE POWER < 0.6 mW. PULSE ENERGY < 20 nJ. PULSE DURATION 10-17 µs.
Beam diameter	6 mm at aperture [1/4"]
Measurement range	40 m radius [130']
Battery type	1 x 1.5 V R14 (C)
Operating time / battery	>24 hours
Levelling range	±1.7° (±30 mm/m) in two directions [±30 mils/inch]
Perpendicularity between beams	2 arc sec. (0.01 mm/m) [0.5 mils/inch]
Flatness of sweep	±0.01 mm/m (10µ)
Housing material	Anodised aluminium
Dimensions (transmitter down)	137x137x142 mm [5.4x5.4x5.6"]
Dimensions (transmitter up)	137x137x150 mm [5.4x5.4x5.9"]
Weight	2124 g (battery adaptor excluded) [4.7 lbs]


mm [inch]



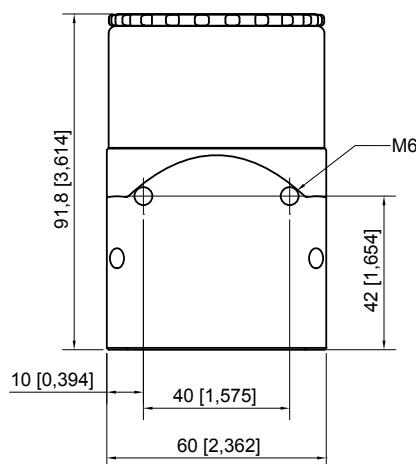
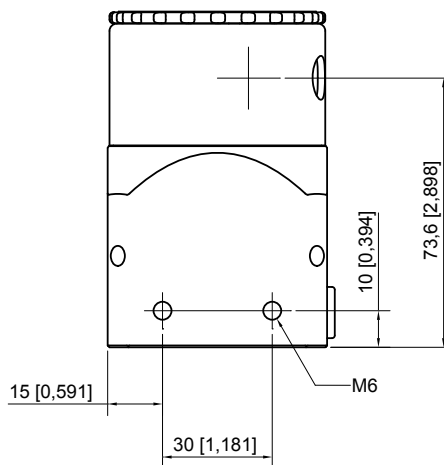
Laser transmitter D25, Part No. 12-0594



CE



CAUTION
LASER RADIATION
DO NOT STARE INTO BEAM
CLASS 2 LASER PRODUCT



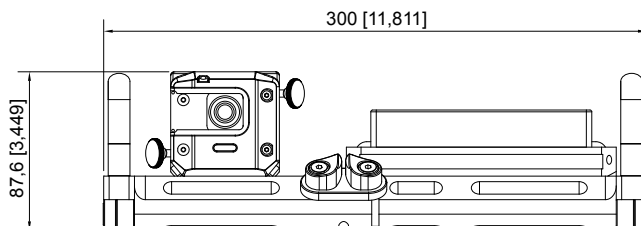
Roll alignment kit, Part No. 12-0856



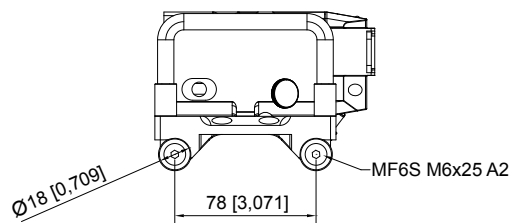
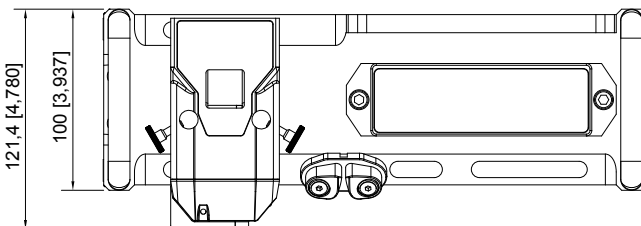
CE

Detector	See 12-0845 for technical specifications
Digital precision level	See 12-0846 for technical specifications
Bracket dimensions	See drawings

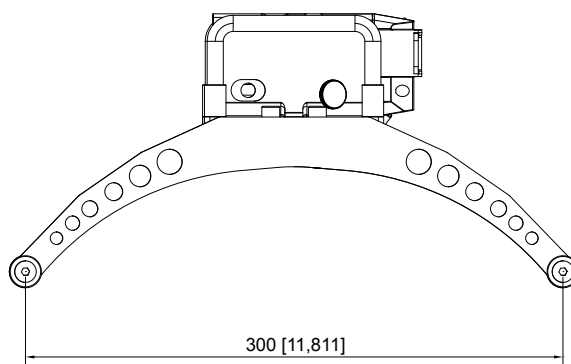
mm [inch]





Roll bracket, Part No. 12-0849



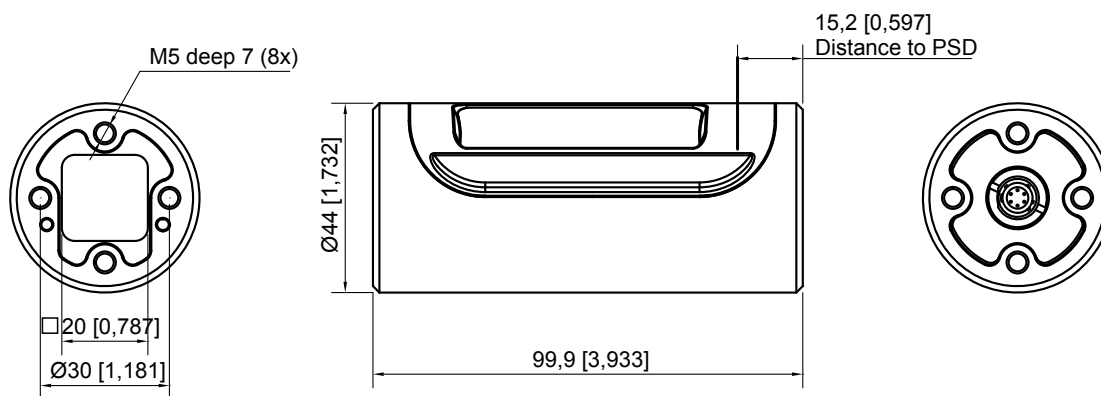
Large roll kit, Part No. 12-0885



Detector E9, Part No. 12-0759

		
Wireless communication	BT wireless technology. Contains FCC ID: PVH0946 / IC:5325A-0946	
Type of detector	2 axis PSD 20x20 mm [0.78" sq]	
Resolution	0.001 mm [0.05 mils]	
Measurement accuracy	±1µm ±1%	
Thermal sensor	± 1° C accuracy	
Environmental protection	IP class 67	
Internal battery	Li Ion	
Protection	No influence from ambient light	
Housing material	Anodized aluminium	
Dimensions	∅ 45 mm [1.77"], length 100 mm [3.94"]	
Weight	180 g [6.3 oz]	

mm [inch]

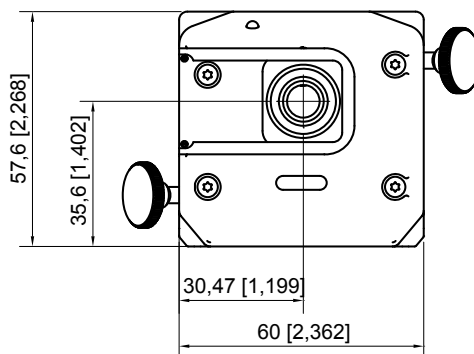
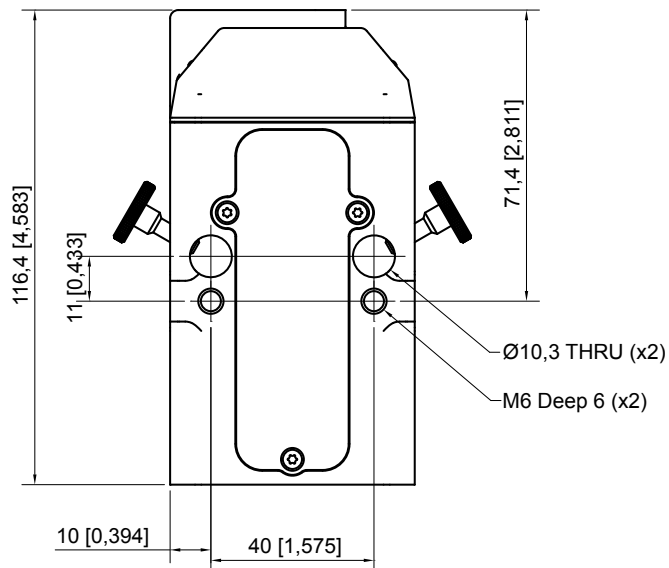


Angle detector E2, Part No. 12-0845





Type of detector	2 axis PSD 20x20 mm [0.78" sq]
Type of display	OLED
Wireless communication	BT wireless technology Contains FCC ID: PVH0946 / IC:5325A-0946
Internal battery	Li Ion
Resolution	0.01 mm/m (0.001°)
Measurement accuracy	Better than ± 0.02 mm/m
Inclinometers	0.1° resolution
Environmental protection	IP Class 67
Operating temperature	-10–50 °C
Housing material	Anodized aluminium
Dimensions	WxHxD: 116x60x57 mm [4.6x2.4x2.2"]
Weight	530 g [18.7oz]

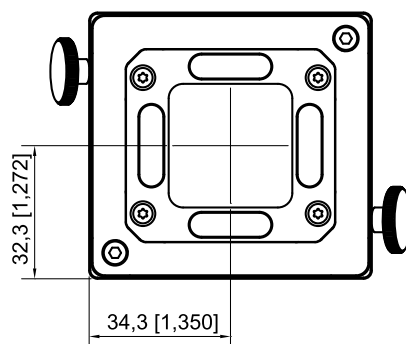
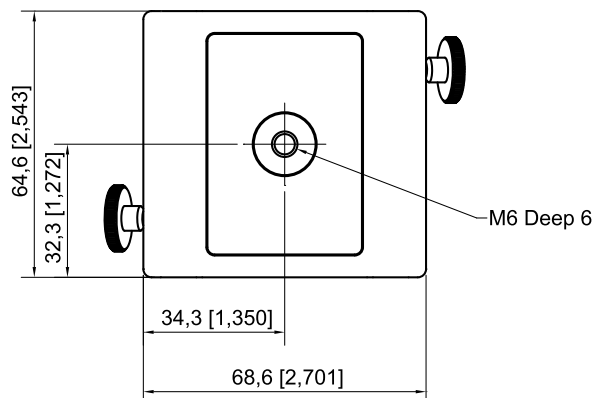
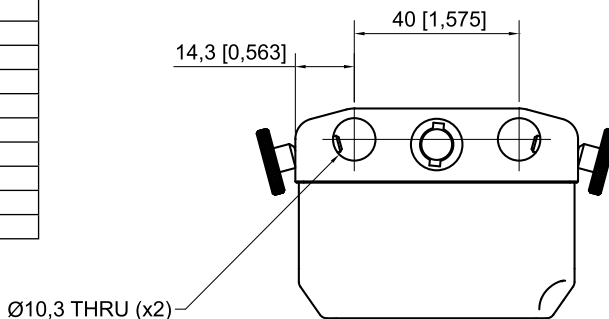
mm [inch]



Detector E3, Part No. 12-0799


mm [inch]

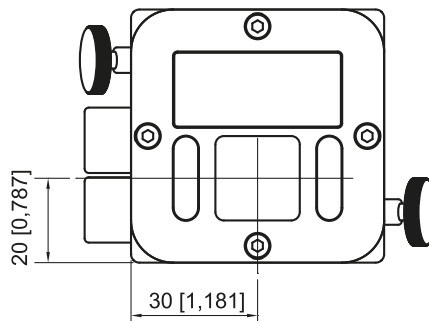
		
Wireless communication	BT wireless technology Contains FCC ID: PVH0946 / IC:5325A-0946	
Type of detector	2 axis PSD 30x30 mm [1.18" sq]	
Resolution	0.001 mm [0.05 mils]	
Measurement accuracy	±1µm ±1%	
Thermal sensor	± 1° C accuracy	
Environmental protection	IP class 65	
Internal battery	Li Ion	
Protection	No influence from ambient light	
Housing material	Anodized aluminium	
Dimensions	WxHxD: 69x65x49 mm [2.7x2.6x1.9"]	
Weight	262 g [9.2 oz]	




Detector E7H, HyperPSD™, Part No. 12-0824

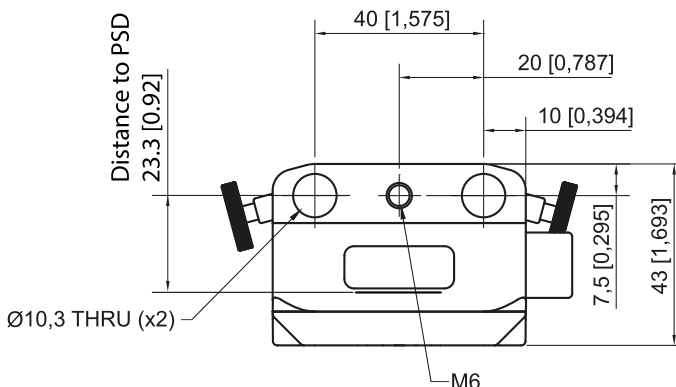
mm [inch]

	CE
Detector E7H, Part No. 12-0824	
Type of detector	2 axis PSD 20x20 mm [0.78" sq]
Resolution	0.0001 mm [0.005 mils]
Measurement accuracy	±1µm ±0.5%
Inclinometers	0.1° resolution
Thermal sensors	± 1° C accuracy
Environmental protection	IP Class 66 and 67
Operating temperature	-10–50 °C
Internal battery	Li Ion
Housing material	Anodized aluminium
Dimensions	WxHxD: 60x60x42 mm [2.36x2.36x1.65"]
Weight	186 g [6.6 oz]




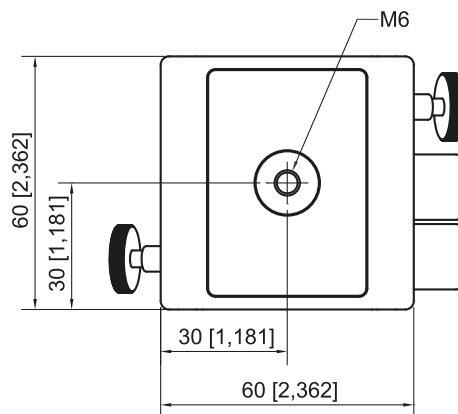
Detector E7, Part No. 12-0752

	CE
Detector E7, Part No. 12-0752	
Type of detector	2 axis PSD 20x20 mm [0.78" sq]
Resolution	0.001 mm [0.05 mils]
Measurement accuracy	±1µm ±1%
Inclinometers	0.1° resolution
Thermal sensors	± 1° C accuracy
Environmental protection	IP Class 66 and 67
Operating temperature	-10–50 °C
Internal battery	Li Ion
Housing material	Anodized aluminium
Dimensions	WxHxD: 60x60x42 mm [2.36x2.36x1.65"]
Weight	186 g [6.6 oz]



Detector E5, Part No. 12-0509

	CE
Detector E5, Part No. 12-0509	
Type of detector	2 axis PSD 20x20 mm [0.78" sq]
Dual Detection Technology™	Can detect both spinning and stationary laser beam, but is optimised for spinning laser.
Resolution	0.001 mm [0.05 mils]
Measurement accuracy	Spin ±10µm ±1% / Stationary beam ±10µm ±2%
Inclinometers	0.1° resolution
Thermal sensors	± 1° C accuracy
Environmental protection	IP Class 66 and 67
Operating temperature	-10–50 °C
Internal battery	Li Ion
Housing material	Anodized aluminium
Dimensions	WxHxD: 60x60x42 mm [2.36x2.36x1.65"]
Weight	186 g [6.6 oz]



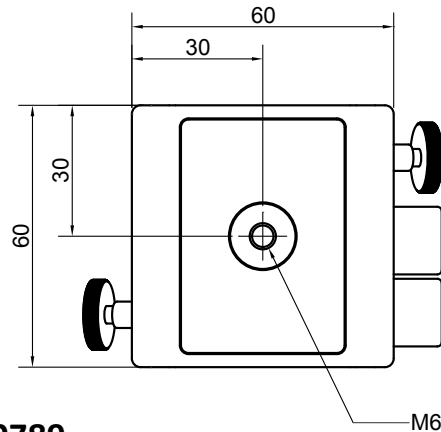
Measuring unit EM/ES, Part No. 12-0434 / 12-0433

mm [inch]



Measuring unit PSD 20x20 mm. EM: Part No. 12-0434, ES: Part No. 12-0433

Type of detector	2-axis PSD 20x20 mm [0.78" sq]
Resolution	0.001 mm [0.05 mils]
Measurement accuracy	±1µm ±1%
Measurement range	Up to 20 m [66 feet]
Type of laser	Diode laser
Laser wavelength	630-680 nm
Laser class	Safety class 2
Laser output	AVERAGE POWER < 0.6 mW. PULSE ENERGY < 20 nJ. PULSE DURATION 10-17 µs.
Electronic inclinometer	0,1° resolution
Thermal sensors	± 1° C accuracy
Environmental protection	IP class 66 and 67
Temperature range	-10-50 °C
Internal battery	Li Ion
Housing material	Anodized aluminium
Dimensions	WxHxD: 60x60x42 mm [2.36"x2.36"x1.65"]
Weight	202 g [7.1 oz]

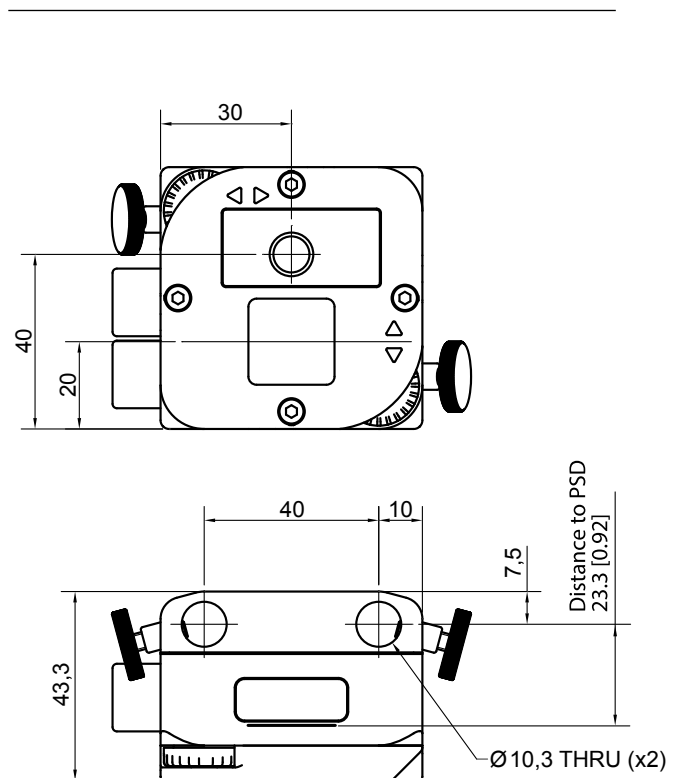


Measuring unit EMH/ESH, Part No. 12-0790 / 12-0789



Measuring unit PSD 20x20 mm. EMH: Part No. 12-0790, ESH: Part No. 12-0789

Type of detector	2-axis PSD 20x20 mm [0.78" sq]
Resolution	0.0001 mm [0.005 mils]
Measurement accuracy	±1µm ±0.5%
Measurement range	Up to 20 m [66 feet]
Type of laser	Diode laser
Laser wavelength	630-680 nm
Laser class	Safety class 2
Laser output	AVERAGE POWER < 0.6 mW. PULSE ENERGY < 20 nJ. PULSE DURATION 10-17 µs.
Electronic inclinometer	0,1° resolution
Thermal sensors	± 1° C accuracy
Environmental protection	IP class 66 and 67
Temperature range	-10-50 °C
Internal battery	Li Ion
Housing material	Anodized aluminium
Dimensions	WxHxD: 60x60x42 mm [2.36x2.36x1.65"]
Weight	202 g [7.1 oz]



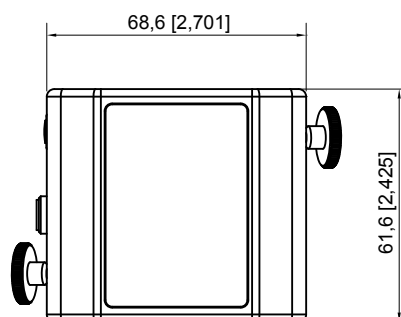
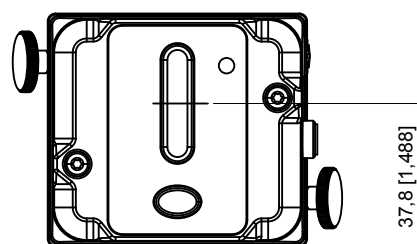
Measuring unit ELM40 / ELS40, Part No. 12-0776 / 12-0777



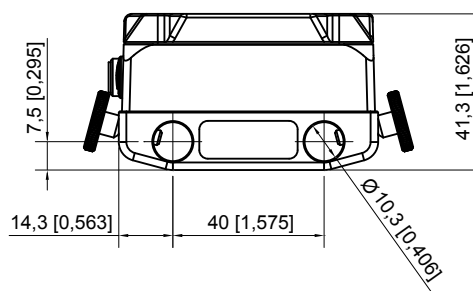
Wireless communication	BT wireless technology Contains FCC ID: PVH0946 / IC:5325A-0946
Internal battery	Li Ion
Type of detector	True PSD 30 mm [1.2"]
Resolution	0.001 mm [0.05 mils]
Measurement accuracy	±5µm ±1%
Measurement range	Up to 10 m [33 feet]
Type of laser	Diode laser
Laser wavelength	630–680 nm
Laser class	Safety class 2
Laser output	AVERAGE POWER < 0.6 mW. PULSE ENERGY < 8 nJ. PULSE DURATION 4-6 µs.
Electronic inclinometer	0.1° resolution
Thermal sensors	-20–60 °C
Environmental protection	IP class 65
Temperature range	-10–50 °C
Housing material	Anodized aluminium / ABS plastics
Dimensions	WxHxD: 69.0x61.5x41.5 mm [2.72"x2.42"x1.63"]
Weight	164 g [5.8 oz]

ELM40/ELS40

mm [inch]



ELM40/ELS40
ELM20/ELS20

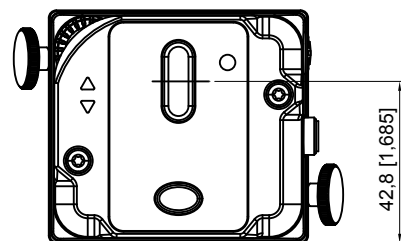


Measuring unit ELM20 / ELS20, Part No. 12-0746 / 12-0747



Measuring unit PSD 20 mm. ELM20: Part No. 12-0746, ELS20: Part No. 12-0747	
Wireless communication	BT wireless technology Contains FCC ID: PVH0946 / IC:5325A-0946
Internal battery	Li Ion
Type of detector	True PSD 20 mm [0.79"]
Resolution	0.01 mm [0.5 mils]
Measurement accuracy	±5µm ±1%
Measurement range	Up to 3 m [10 feet]
Type of laser	Diode laser
Laser wavelength	630–680 nm
Laser class	Safety class 2
Laser output	AVERAGE POWER < 0.6 mW. PULSE ENERGY < 8 nJ. PULSE DURATION 4-6 µs.
Electronic inclinometer	0.1° resolution
Thermal sensors	-20–60 °C
Environmental protection	IP class 65
Temperature range	-10–50 °C
Housing material	Anodized aluminium / ABS plastics
Dimensions	WxHxD: 69.0x61.5x41.5 mm [2.72"x2.42"x1.63"]
Weight	176 g [6.2 oz]

ELM20/ELS20



Easy-Laser® is manufactured by Easy-Laser AB, Alfagatan 6, 431 49 Mölndal, Sweden, +46 31 708 63 00, info@easylaser.com, www.easylaser.com
© Easy-Laser AB. We reserve the right to make modifications without prior notification. Easy-Laser® is a registered trademark of Easy-Laser AB.
Complies with: 21 CFR 1040.10 and 1040.11 except for deviations pursuant to Laser Notice No. 50, dated June 24 2007.

Measuring unit XT40-M, XT40-S, Part No. 12-0943 / 12-0944

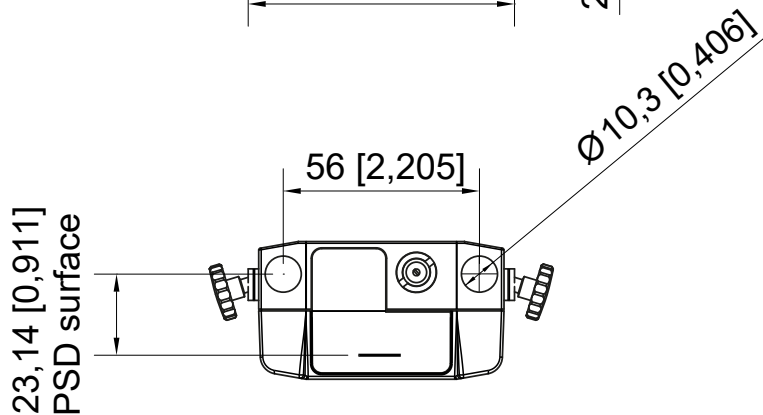
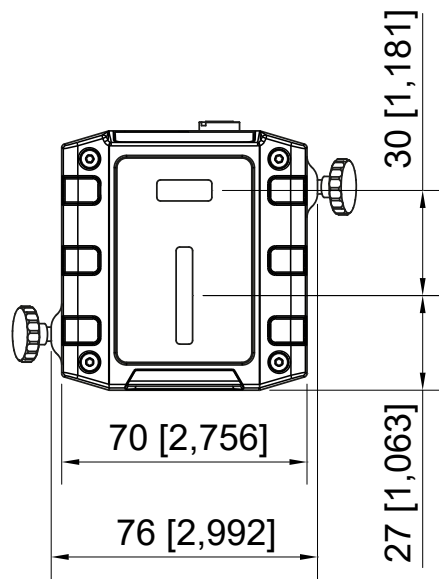
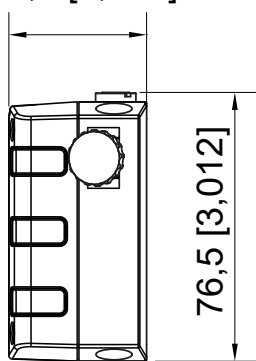
mm [inch]



Measuring unit PSD 30 mm. XT40-M: Part No. 12-0943, XT40-S: Part No. 12-0944

Type of detector	TruePSD 30 mm [1.2"]
Communication	BT wireless technology Contains FCC ID: Q0QBGM111 / IC:5123A-BGM111
Battery type	Heavy duty Li Ion chargeable
Operating time	Up to 24 h continuously
Resolution	0.001 mm [0.05 mils]
Measurement accuracy	±5µm ±1%
Measurement range	Up to 10 m [33 feet]
Type of laser	Diode laser
Laser wavelength	630-680 nm
Laser class	Safety class 2
Laser output	AVERAGE POWER < 0.6 mW. PULSE ENERGY < 8 nJ. PULSE DURATION 4-6 µs.
Electronic inclinometer	0.1° resolution
Environmental protection	IP class 66 and 67
Operating temperature	-10-50 °C
Storage temperature	-20-50 °C
Relative humidity	10-95%
OLED display	128x64 pixels
Housing material	Anodized aluminium + PC/ABS + TPE
Dimensions	WxHxD: 76x76.5x39.3 mm [3.0x3.0x1.5"]
Weight	245 g [8.6 oz]

39,3 [1,547]



Easy-Laser® is manufactured by Easy-Laser AB, Alfagatan 6, 431 49 Mölndal, Sweden, +46 31 708 63 00, info@easylaser.com, www.easylaser.com
 © Easy-Laser AB. We reserve the right to make modifications without prior notification. Easy-Laser® is a registered trademark of Easy-Laser AB.
 Complies with: 21 CFR 1040.10 and 1040.11 except for deviations pursuant to Laser Notice No. 50, dated June 24 2007.

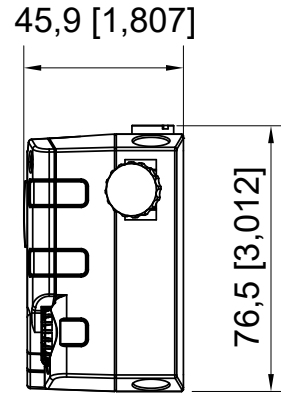
Measuring unit XT60-M, XT60-S, Part No. 12-1028 / 12-1029

mm [inch]



Measuring unit PSD 20x20 mm. XT60-M: Part No. 12-1028, XT60-S: Part No. 12-1029

Type of detector	1-axis TruePSD 20x20 mm [0.79x0.79"]
Communication	BT wireless technology Contains FCC ID: Q0QBGM111 / IC:5123A-BGM111
Battery type	Heavy duty Li Ion chargeable
Operating time	Up to 24 h continuously
Resolution	0.001 mm [0.05 mils]
Measurement accuracy	±1µm ±1%
Measurement range	Up to 20 m [66 feet]
Type of laser	Diode laser
Laser wavelength	630-680 nm
Laser class	Safety class 2
Laser output	AVERAGE POWER < 0.6 mW. PULSE ENERGY < 20 nJ. PULSE DURATION 10-17 µs. WAVELENGTH 630-680 nm.
Electronic inclinometer	0.1° resolution
Environmental protection	IP class 66 and 67
Operating temperature	-10-50 °C
Storage temperature	-20-50 °C
Relative humidity	10-95%
OLED display	128x64 pixels
Housing material	Anodized aluminium + PC/ABS + TPE
Dimensions	WxHxD: 76x76.5x45.9 mm [3.0x3.0x1.8"]
Weight	272 g [9.6 oz]

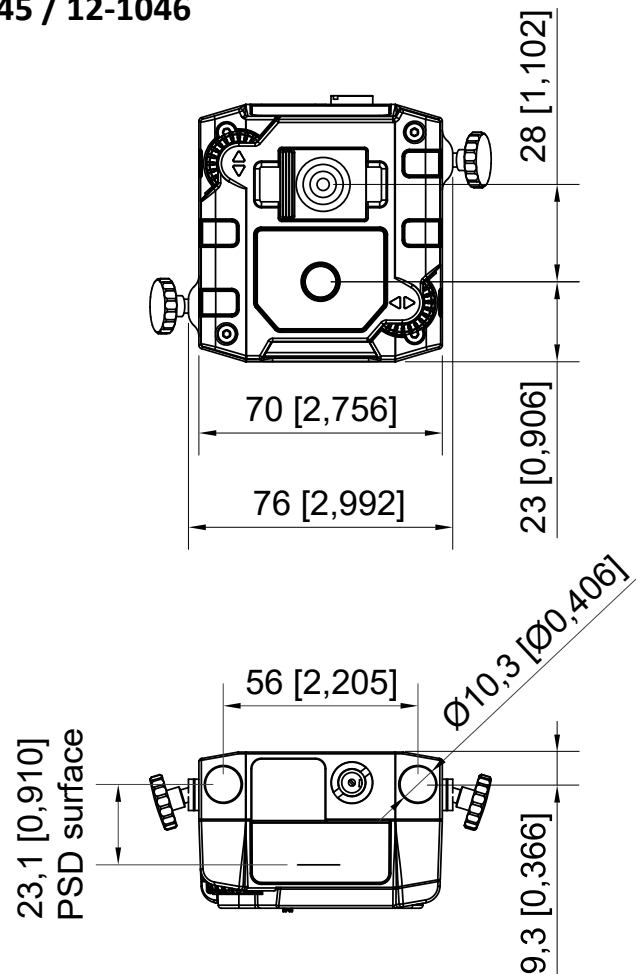


Measuring unit XT70-M, XT70-S, Part No. 12-1045 / 12-1046



Measuring unit PSD 20x20 mm. XT70-M: Part No. 12-1045, XT70-S: Part No. 12-1046

Type of detector	2-axis TruePSD 20x20 mm [0.79x0.79"]
Communication	BT wireless technology Contains FCC ID: Q0QBGM111 / IC:5123A-BGM111
Battery type	Heavy duty Li Ion chargeable
Operating time	Up to 24 h continuously
Resolution	0.001 mm [0.05 mils]
Measurement accuracy	±1µm ±1%
Measurement range	Up to 20 m [66 feet]
Type of laser	Diode laser
Laser wavelength	630-680 nm
Laser class	Safety class 2
Laser output	AVERAGE POWER < 0.6 mW. PULSE ENERGY < 20 nJ. PULSE DURATION 10-17 µs. WAVELENGTH 630-680 nm.
Electronic inclinometer	0.1° resolution
Environmental protection	IP class 66 and 67
Operating temperature	-10-50 °C
Storage temperature	-20-50 °C
Relative humidity	10-95%
OLED display	128x64 pixels
Housing material	Anodized aluminium + PC/ABS + TPE
Dimensions	WxHxD: 76x76.5x45.9 mm [3.0x3.0x1.8"]
Weight	272 g [9.6 oz]



Easy-Laser® is manufactured by Easy-Laser AB, Alfagatan 6, 431 49 Mölndal, Sweden, +46 31 708 63 00, info@easylaser.com, www.easylaser.com
 © Easy-Laser AB. We reserve the right to make modifications without prior notification. Easy-Laser® is a registered trademark of Easy-Laser AB.
 Complies with: 21 CFR 1040.10 and 1040.11 except for deviations pursuant to Laser Notice No. 50, dated June 24 2007.

Measuring unit XT50-M, XT50-S, Part No. 12-1026 / 12-1027

mm [inch]



0470 CE

Measuring unit PSD 20x20 mm. XT50-M: Part No. 12-1026, XT50-S: Part No. 12-1027

Type of detector	TruePSD 1 axis 20x20 mm [0.79x0.79"]
Communication	BT wireless technology Contains FCC ID: Q0QBGM111 / IC:5123A-BGM111
Battery type	Heavy duty Li Ion chargeable
Operating time	Up to 20 h continuously
Resolution	0.001 mm [0.05 mils]
Measurement accuracy	±1µm ±1%
Measurement range	Up to 20 m [66 feet]
Type of laser	Diode laser
Laser wavelength	630-680 nm
Laser class	Safety class 2
Laser output	AVERAGE POWER < 0.6 mW. PULSE ENERGY < 20 nJ. PULSE DURATION 10-17 µs. WAVELENGTH 630-680 nm.
Electronic inclinometer	0.1° resolution
Environmental protection	IP class 66 and 67
Operating temperature	-10-50 °C
Storage temperature	-20-50 °C
Relative humidity	10-95%
OLED display	128x64 pixels
Housing material	Anodized aluminium + PC/ABS + TPE
Dimensions	WxHxD: 76x76.5x50.9 mm [3.0x3.0x2.0"]
Weight	316 g [11.1 oz]

Easy-Laser® XT50 measuring units are approved in accordance with the latest ATEX directive.

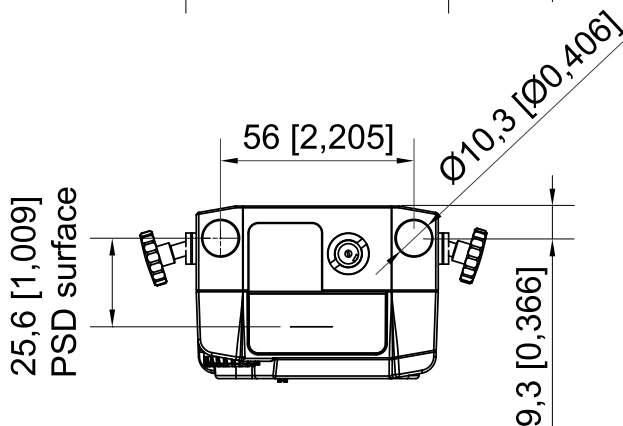
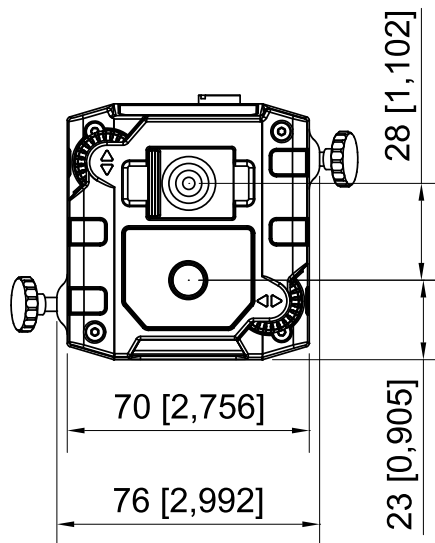
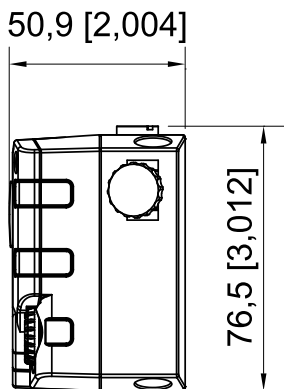
EX certificate number: Presafe 17 ATEX 10552X, IECEx PRE 17.0049X
ATEX code: II 2 G

EX classification: Ex ib op is IIC T4 Gb, -10°C ≤ Ta ≤ +50°C
II=Indicates that the instrument is approved for all areas except mines
2=Unit category. Intrinsically safe equipment for zones 1 and 2 (likely occurrence of explosive atmosphere)

G=Indicates atmosphere: Gas, Vapours, Mists
ib=Type of protection from an explosion

IIC=Explosion group

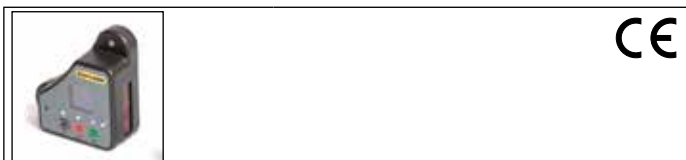
T4=Temperature class



Easy-Laser® is manufactured by Easy-Laser AB, Alfagatan 6, 431 49 Mölndal, Sweden, +46 31 708 63 00, info@easylaser.com, www.easylaser.com
© Easy-Laser AB. We reserve the right to make modifications without prior notification. Easy-Laser® is a registered trademark of Easy-Laser AB.
Complies with: 21 CFR 1040.10 and 1040.11 except for deviations pursuant to Laser Notice No. 50, dated June 24 2007.

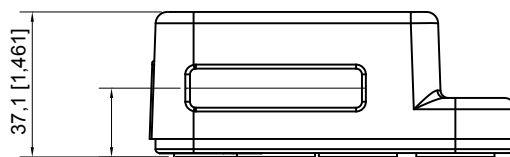
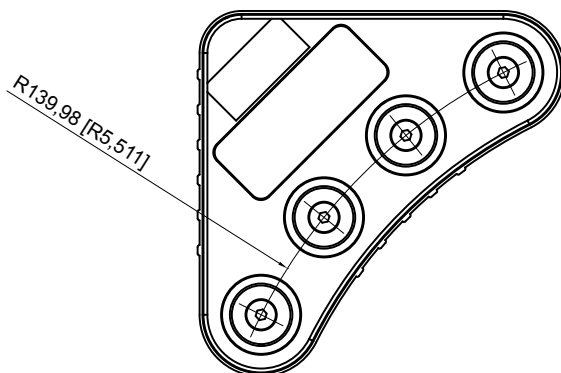
E- and XT-series wireless detector for BTA, Part No. 12-1054

mm [inch]

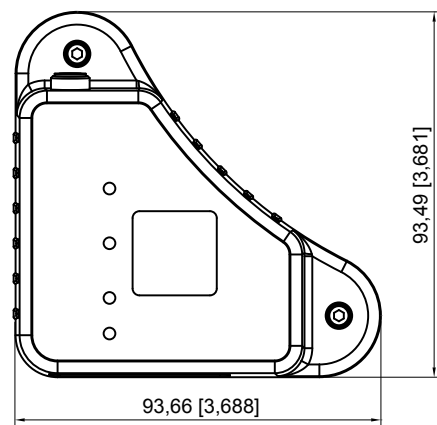


CE


Sheave diameters	>60 mm [2.5"]
Measurement distance	Up to 3 m [9.8'] between Transmitter and Detector
Measurement range	Axial offset: ±3 mm [0.12"]. Angular value: ±8°
Displayed resolution	Offset: 0.1°, Angle: 0.01°
Display type	Yellow OLED 96x96 pixels
Connection	BT wireless technology Contains FCC ID: Q0QBT121 / IC: 5123A-BGTBT121
Battery type	Li Ion
Battery operation	5 hours continuously
Material	ABS plastics / Anodized aluminium
Dimensions	WxHxD: 95x95x36 mm [3.7x3.7x1.4"]
Weight	190 g [6.7 oz]

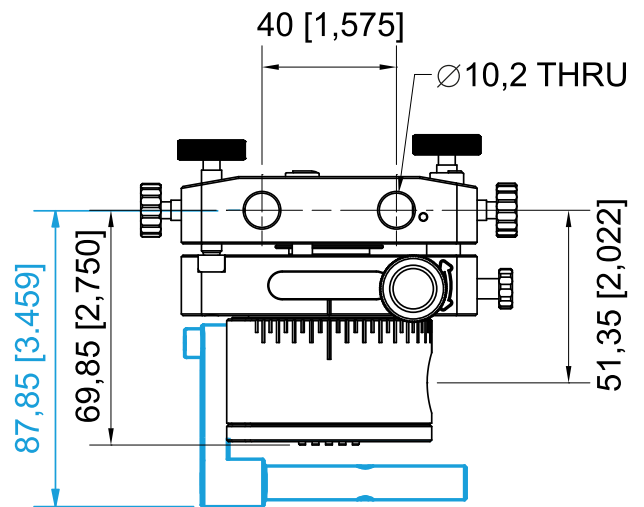
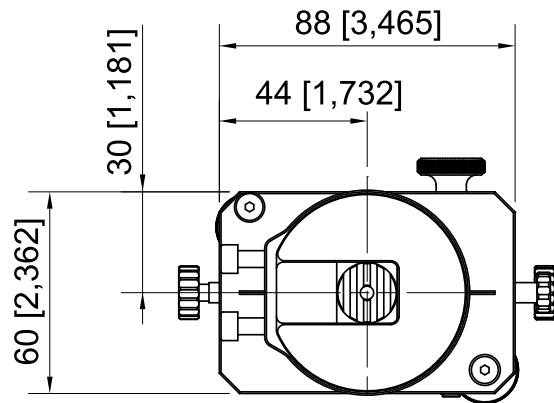
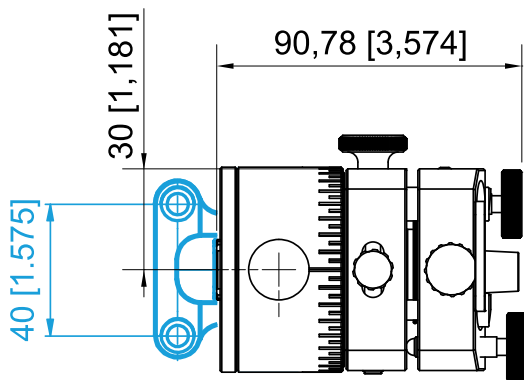
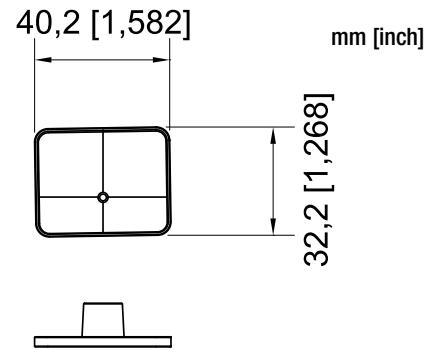


17.6 [0.693]

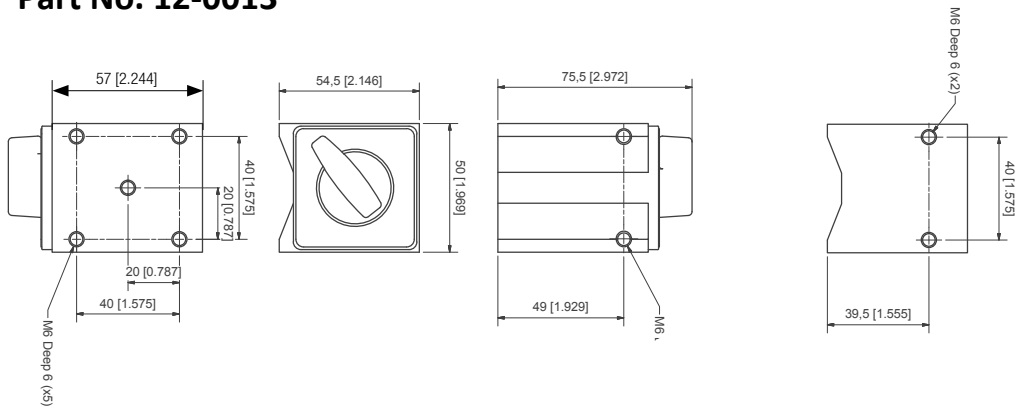


Angular prism, Part No. 12-1136

	
Turning range	360°
Fine turning	0.1 mm/m [20 arc sec.]
Parallelism accuracy	±0.005 ±0.002/M mm/m [±0.005 ±0.007/F mils/inch] *
	* M is the measurement range in meters [m]. F is the measurement range in feet [ft].
Aperture size	18 mm [3/4"]
Knob and rod material	Stainless steel
Housing material	Anodized aluminium
Weight (with detector bracket)	860 g [1.9 lbs]

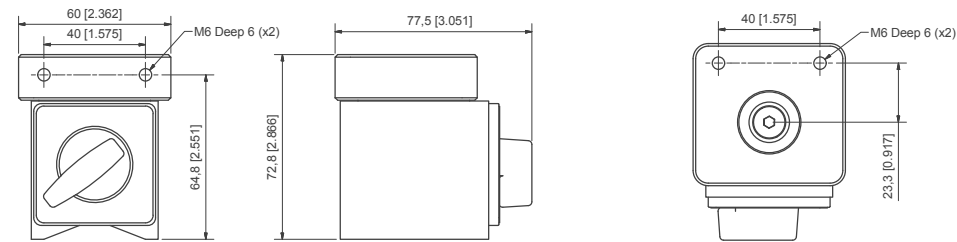


Magnet base, Part No. 12-0013

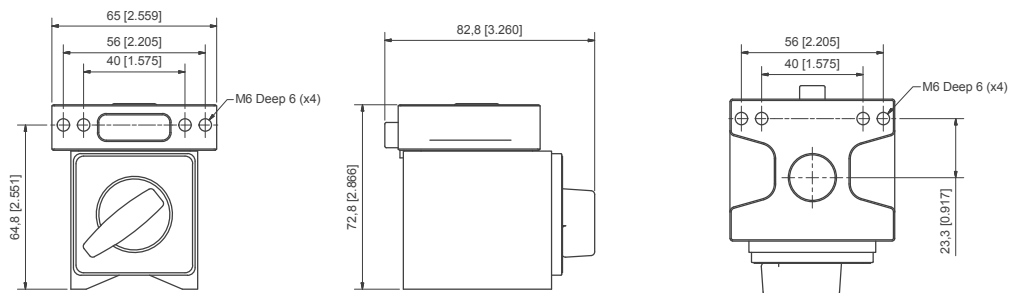


mm [inch]

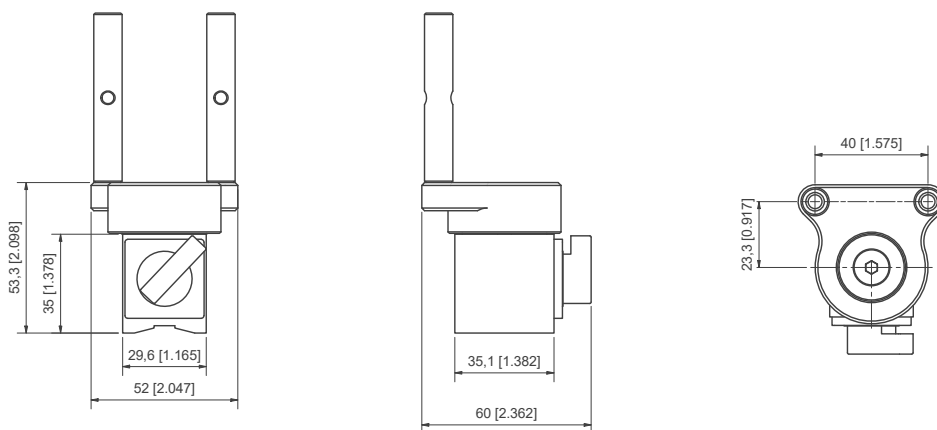
Magnet base with turnable head, Part No. 12-0045



Magnet base with turnable head, Part No. 12-1133



Small magnet base with turnable head, Part No. 12-0696



Part No.	Description	Page			
01-0039	Locking screw.....	74	03-1323	Printer for D-series.....	69
01-0042	Nut (for chain).....	73	03-1326	Stinger for XT280.....	72
01-0045	Barrel nut.....	73	03-1327	Accelerometer magnet for XT280.....	72
01-0048	Rod tightening tool, 4 mm.....	74	03-1332	Demo unit, steel.....	72
01-0076	Offset bracket, D-series.....	83	04-0053	Sticker "This machine is aligned with Easy-Laser®" ..	75
01-0139	Machine/Magnet base pin for D22, short.....	60	04-0124	Easy-Laser® logo sticker, large.....	77
01-0618	Top for D23.....	73	04-0125	Easy-Laser® logo sticker, small.....	77
01-0752	Side part for display unit D279.....	73	04-0147	Bar code sticker.....	85
01-0777	Tube adapters for E9 and D157.....	54	04-0252	Easy-Laser® logo stickers on sheet.....	77
01-0847	Shim remover.....	76	04-0307	QR code sticker.....	75
01-0938	Rod, 30 mm.....	53	05-0792	Notebook for the technician.....	77
01-1095	Key holder.....	77	06-0001	CD.....	83
01-1165	Offset bracket for E-series.....	51	12-0001	Measuring unit M, D-series, PSD 10x10mm.....	81
01-1333	Machine/Magnet base pin for D22, long.....	60	12-0002	Measuring unit S, D-series, PSD 10x10mm.....	81
01-1352	Sunvisor for D6.....	83	12-0005	Detector D5.....	81
01-1379	Protective case for display unit E418.....	71	12-0012	Measuring tape, 2m [6.5'].....	83
01-1768	Angle bracket.....	54	12-0013	Magnet base.....	48
01-1866	Locking screw for XT units.....	74	12-0016	V-bracket with chain.....	50
01-1945	LCD display protection film.....	75	12-0022	Laser transmitter D22.....	41
01-1952	Replaced by 12-1039.....	57	12-0032	Detector Linebore.....	78
01-1953	Locking screw.....	74	12-0033	Standard chain.....	73
01-2222	Tube adapters for dual barrels.....	54	12-0034	System D650 Linebore.....	79
01-2232	Tripod adaptor for Angular prism.....	63	12-0039	Sliding bracket.....	84
03-0032	Printer 220 V.....	83	12-0045	Magnet base with turnable head.....	48
03-0041	Thermo paper roll.....	75	12-0046	Angular prism D46.....	85
03-0042	Protective case for older display units.....	74	12-0059	Rods, 60 mm [2.36"].....	53
03-0061	Screw M6x14.....	73	12-0060	Rods, 240 mm [9.44"].....	54
03-0241	Printer cable.....	67	12-0074	Red cable 2.0 m [78.7"].....	66
03-0341	Printer 110 V.....	84	12-0075	Laser transmitter D75.....	41
03-0333	PC cable.....	67	12-0108	Red cable, extension, 5.0m [16.4"].....	67
03-0505	Screw for D23 top cover.....	73	12-0110	Tilt table.....	58
03-0591	Padded case for BTA.....	74	12-0116	Measuring unit M, D-series, PSD 18x18mm, 2 axis.....	81
03-0592	Protective case for display unit D279.....	74	12-0119	Measuring unit M, D-series, PSD 18x18mm.....	81
03-0722	USB/RS232 adaptor.....	68	12-0120	Measuring unit S, D-series, PSD 18x18mm.....	81
03-0736	Case for BTA Ex.....	74	12-0125	Cardan bracket set D-series.....	53
03-0769	Aluminium beam, 500 mm [19.68"].....	61	12-0128	Extension chain, set.....	51
03-0770	Aluminium beam, 600 mm [23.62"].....	61	12-0130	V-bracket.....	73
03-0771	Aluminium beam, 1100 mm [43.31"].....	61	12-0132	Offset hub for D75.....	78
03-0792	Plastic case for small items.....	71	12-0133	System D600 Machine.....	79
03-0799	Protective case for display unit D336.....	74	12-0134	Foot set for linebore arms.....	56
03-0810	Replaced by 01-1953.....	74	12-0137	Sliding bracket with turnable head.....	53
03-0821	Replaced by 03-1243.....	68	12-0138	Sliding bracket with magnets and probe.....	53
03-0822	USB A – USB B cable.....	68	12-0139	Target Cardan.....	65
03-0824	Measuring tape, 3 m [9.8'].....	71	12-0143	Foot set for linebore for 100–150mm.....	56
03-0842	Measuring tape, 5 m [16.4'].....	71	12-0146	Laser transmitter D146.....	41
03-0878	Cleaning cloth.....	74	12-0149	Rod bracket for laser D75.....	58
03-0892	Charger cable, EUR.....	68	12-0154	Magnets for offset hub arms.....	57
03-0893	Charger cable, USA.....	68	12-0157	Detector D157.....	82
03-0894	Charger cable, UK.....	68	12-0168	Laser transmitter D23.....	41
03-0895	Charger cable, AUS.....	68	12-0169	Rotating detector bracket for rods.....	48
03-0901	HDMI to HDMI cable.....	68	12-0179	Red cable 1.0m [39.3"].....	67
03-0902	VGA to VGA cable.....	68	12-0180	Red cable, extension, 10.0 m [32.8'].....	67
03-0909	Transportation case.....	71	12-0185	System D660 Turbine.....	78
03-0914	USB memory.....	77	12-0187	Bracket for laser D75.....	58
03-0967	Hexagon wrench set.....	72	12-0188	Side support for D5.....	62
03-0972	LCD display protection film.....	74	12-0189	Side support for D75.....	62
03-1004	Printer for E-series.....	69	12-0193	System D630 Extruder.....	79
03-1007	Carrying case for system E540 and E530.....	83	12-0199	Large target extruder.....	83
03-1043	USB cable for streaming values.....	68	12-0201	Detector D6.....	78
03-1044	Back pack system, medium.....	84	12-0202	Sliding table for tripod.....	63
03-1045	Back pack system, large.....	84	12-0203	Parallelity kit.....	63
03-1046	Luggage trolley.....	71	12-0205	AC adaptor for D22 and D75.....	83
03-1059	Carrying case for system E420.....	70	12-0207	System D505 Shaft.....	79
03-1184	Vapor capsule.....	75	12-0213	Target for BTA, 15 mm.....	73
03-1193	White Vaseline.....	75	12-0220	System D800 Spin.....	78
03-1203	DC cable extension 1.5 m.....	66	12-0224	System D670 Parallelism.....	78
03-1243	Charger for E-series Display unit.....	68	12-0230	Magnet base with linear digital scale.....	49
03-1256	Charger for XT-series.....	68			
03-1291	Gauge block.....	62			

12-0231	System D525 Shaft	79	12-0494	Red cable 0.16m [6.3"]	67
12-0235	System D525 B Shaft/Geometry	79	12-0495	Shoulder strap for display unit E418	71
12-0236	Demo unit Sheave	72	12-0508	Radial support for magnet base	49
12-0237	Transportation case cardan	70	12-0509	Detector E5	43
12-0246	Laser transmitter D246	78	12-0510	Slide bracket 300mm	56
12-0248	Detector bracket Long stroke for turbine	78	12-0525	System E910 Flange	20
12-0255	Detector 30mm	81	12-0526	System E915 Flange Spin	19
12-0256	Measuring unit M, D-series, PSD 30x30 mm	81	12-0537	Offset hub with counterlock and tilt function	57
12-0258	Shims case, 180 shims	75	12-0538	Detector Extruder 20mm	78
12-0259	Shims case, 360 shims	75	12-0543	Slide bracket 200mm	55
12-0260	Measuring unit S, D-series, PSD 30x30 mm	81	12-0544	Target 100x100m	64
12-0269	Tripod	62	12-0546	Battery lid for display unit D336	73
12-0279	Display unit D279	82	12-0552	System D640 Machine tool	79
12-0282	Extension arms linebore	57	12-0553	Bore bracket adapter plate	56
12-0283	Vibrometer probe D283	84	12-0568	Mounting pin for D146	60
12-0289	Red cable 0.4m [15.7"]	67	12-0573	VGA kit	85
12-0294	AC adaptor for D23	83	12-0579	Magnet base with adapter Ex	49
12-0300	System D450 Shaft	79	12-0580	Axial extension arms, linebore	58
12-0303	Sliding bracket with magnets	52	12-0583	Pointing bracket on magnet base	49
12-0308	Detector/display unit for belt alignment	80	12-0585	Charger 12–36 V for car	85
12-0309	Laser transmitter for sheave alignment systems	42	12-0587	Sun visor for E-series	64
12-0310	System D150 BTA	80	12-0588	Target E-series	64
12-0314	Detector arms Linebore	56	12-0590	AC adaptor for display unit D279	82
12-0319	Extension chain	83	12-0592	Sun visor for Ex units	84
12-0320	Rod adapter for D157	56	12-0594	Laser transmitter D25	41
12-0321	Cable support	67	12-0597	Splitter box	66
12-0324	Rods, 120 mm [4.72"] 8 pcs	54	12-0603	Handheld detector bracket	59
12-0329	Magnet base bracket for linebore detector	78	12-0608	Magnet base with turnable head, for D157	84
12-0334	Measuring unit M, Ex	82	12-0615	Cardan bracket for E-series	53
12-0335	Measuring unit S, Ex	82	12-0617	Battery pack	85
12-0336	Display unit D336 Ex	82	12-0618	Battery pack with built-in wireless unit	65
12-0337	Shaft bracket with chain, stainless steel	51	12-0619	Barcode reader	68
12-0340	System D550 Shaft Extreme™	80	12-0622	Tool kit for tilt table	59
12-0341	Self centering bracket	60	12-0625	Standard chains	50
12-0343	Slide bracket 100mm	55	12-0628	Bracket for non-magnetic flanges, with handheld det.	85
12-0354	Battery lid for display unit D279	73	12-0652	System D652 Linebore	79
12-0360	Tool kit for system D550	75	12-0656	Vibrometer probe E285	84
12-0362	Cable tester	85	12-0657	Detector for belt alignment E-series	80
12-0363	Extension chain, stainless steel	51	12-0659	E170 BTA	80
12-0364	Offset hub with arms	78	12-0661	Offset hub with counterlock, for D75	56
12-0384	Offset hub arms	57	12-0662	System D662 Turbine	78
12-0385	Laser transmitter bracket turbine	58	12-0663	System D663 Turbine	79
12-0386	Chain, stainless steel	73	12-0664	System D664 Turbine	79
12-0390	Laser transmitter for sheave alignment Ex	80	12-0676	System E950-A	13
12-0394	Target for BTA, 18 mm	73	12-0677	System E950-B	14
12-0400	System D130 BTA Ex	80	12-0695	System E530 Shaft	80
12-0402	Target Ex cardan	64	12-0696	Small magnet base with turnable head	48
12-0403	Detector for belt alignment D-series	80	12-0697	Measuring unit ELS 30	82
12-0404	Display unit for sheave/pulley alignment	82	12-0698	Measuring unit ELM 30	82
12-0411	System D160 BTA	80	12-0700	Display unit E52	40
12-0412	Replaced by 12-1012	51	12-0702	Detector E4	81
12-0413	Replaced by 12-1147	82	12-0706	Laser transmitter D25 with offset hub	42
12-0415	System D90 BTA	32	12-0707	Arm kit with magnets	57
12-0416	Demo unit Shaft	72	12-0709	Measuring unit holder for Angular prism	64
12-0417	Height adjustment bracket for detector D6	83	12-0710	System E960-A	11
12-0418	Display unit E51 (formerly E418)	40	12-0711	System E960-B	12
12-0422	System D480 Shaft	79	12-0715	Detector bracket "Long stroke" Turbine	60
12-0423	Measuring unit M, D-series, PSD 10x10mm, Incl.	81	12-0725	Splitter cable for charging	66
12-0424	Measuring unit S, D-series, PSD 10x10mm, Incl.	81	12-0727	System E980 Sawmill	8
12-0433	Measuring unit S, E-series, PSD 20x20mm	45	12-0728	Splitter cable for charging two 12-0738	66
12-0434	Measuring unit M, E-series, PSD 20x20mm	45	12-0735	Red cable with angled connector	67
12-0436	BT wireless unit	65	12-0738	BT wireless unit with battery	84
12-0438	Detector bracket Short stroke for turbine	60	12-0739	BT wireless units kit for E530	84
12-0439	Ball top probe	61	12-0740	Batterypack with wireless unit, Kit	65
12-0440	System E710 Shaft	28	12-0742	Tilt table with magnet base	48
12-0442	Carrying case for system E710	70	12-0743	Shim case 3	76
12-0443	Centering target for turbine	62	12-0745	System E420 Shaft	30
12-0455	Slide bracket 120mm	55	12-0746	Measuring unit ELM 20	46
12-0456	Transportation case Ex large	83	12-0747	Measuring unit ELS 20	46
12-0476	Cam shaft bracket	84	12-0748	Display unit E53	40
12-0490	Short ball top probe	61	12-0750	Replaced by 12-0989	66

12-0751	DC to USB adapter	69	12-1018	Angular adapter for detector, 90°	59
12-0752	Detector E7	43	12-1019	Titanium rods, set of 3	61
12-0755	Shim case 4	76	12-1020	Carrying case Large for system E540	70
12-0758	Detector E8, 1-axis PSD	82	12-1025	Carrying case Small for system E540	70
12-0759	Detector E9, 2-axis PSD	43	12-1026	Measuring unit XT50-M Ex/ATEX	47
12-0761	System E940 Machine tool	85	12-1027	Measuring unit XT50-S Ex/ATEX	47
12-0762	"Red cable", extension 0.5 m [1.6']	67	12-1028	Measuring unit XT60-M	46
12-0767	Rod adapter with built-in target	55	12-1029	Measuring unit XT60-S	46
12-0768	Slide bracket, width 25 mm [0.99"]	55	12-1031	System XT550 Ex/ATEX without Display unit	25
12-0771	System E920 Geometric	18	12-1038	Extension chain stainless steel, set	51
12-0772	System E950-C	15	12-1039	Pin for hub	57
12-0775	System E540-B	29	12-1040	V-bracket with stainless steel chain and rods	50
12-0776	Measuring unit ELM 40	45	12-1043	System E540-A	29
12-0777	Measuring unit ELS 40	45	12-1045	Measuring unit XT70-M	47
12-0787	Spindle bracket for measuring unit	59	12-1046	Measuring unit XT70-S	47
12-0788	System E930 Extruder	17	12-1047	Measuring probe, cylindrical	62
12-0789	Measuring unit ESH, HyperPSD™	45	12-1048	Measuring probe, cylindrical, with magnet	62
12-0790	Measuring unit EMH, HyperPSD™	45	12-1049	Carrying case L for system XT440/XT660/XT770	69
12-0791	E-series wireless detector for belt alignment	80	12-1051	System XT660 with display unit, case M	24
12-0794	Target E-series 20x20	65	12-1052	System XT660 with display unit, case L	24
12-0796	System E180 BTA	80	12-1053	System XT190 BTA	31
12-0797	System Vestas 4	85	12-1054	Detector unit for system XT190 BTA	44
12-0799	Detector E3	43	12-1058	System XT660 without display unit XT11, case M	24
12-0801	Measuring probe Ruby diameter 2.5mm	62	12-1059	System XT660 without display unit XT11, case L	24
12-0804	Transportation case for BTA systems	70	12-1060	Extension chain, set for E- and XT-series	51
12-0805	Measuring probe Ruby diameter 5mm	61	12-1064	Laser transmitter D26	41
12-0810	Large target extruder	65	12-1086	ECOM Tab Display unit	40
12-0814	Tube bracket	61	12-1090	XT280 Vibrometer, complete set	33
12-0815	Adapter bracket for rod distance 40 mm	84	12-1092	Small magnet base	49
12-0823	Laser transmitter E30 Long Range	42	12-1095	System XT770 with Display unit	23
12-0824	Detector E7H, HyperPSD™	43	12-1096	System XT770 without Display unit	23
12-0825	System Vestas 3	85	12-1097	System XT550 Ex/ATEX with Display unit	25
12-0828	Offset hub with counterlock and tilt function	57	12-1113	GA1 system+brackets for coupling assembled	35
12-0840	VGA kit, for serial number 94177 and newer	69	12-1114	GA1 brackets for coupling removed	35
12-0845	Detector E2	43	12-1118	System Easy-Laser® GA1	35
12-0846	Digital Precision Level E290	44	12-1125	DM-bracket	52
12-0849	Roll bracket	54	12-1027	System XT770, with GEO Kit, with Display unit	23
12-0850	System E180 without laser transmitter 12-0309	80	12-1028	System XT770, with GEO Kit, without Display unit	23
12-0853	System E970 Parallelism	10	12-1129	Extension for DM-bracket	52
12-0854	System E975 Roll Alignment	9	12-1130	DM-bracket, complete set	52
12-0855	Upgrade kit Long stroke	61	12-1132	Carrying case large for XT770, with D22	70
12-0856	Roll alignment kit	44	12-1133	Magnet base with turnable top	48
12-0857	Digital Precision Level, complete kit	44	12-1136	Angular prism	63
12-0858	Laser transmitter E30 Long Range, with tilt table	42	12-1142	Vestas 6 wind shaft system	34
12-0864	Tilt table, turnable	59	12-1143	Vestas 5 wind shaft system	34
12-0874	Adapter plate for tilt table to magnet base	58	12-1147	Magnetic bracket	50
12-0885	Large roll kit	54	12-1151	Cardan bracket set	53
12-0901	Extension kit for large diameters	55	12-1161	Rods, 75 mm [2.95"], 4 pcs	53
12-0915	Safety strap	71	12-1183	Vestas Installation kit upgrade	34
12-0937	Height adjustment bracket for detector	49	12-1200	Sliding table for magnet base	63
12-0943	Measuring unit XT40-M	46	12-1205	Sun visor for XT40	64
12-0944	Measuring unit XT40-S	46	12-1221	Angular prism, kit	63
12-0949	Replaced by 12-1118	35	13-0004	Cap	77
12-0954	System E950-D Bore alignment	16	13-0006	Pen	77
12-0955	System E720 Shaft/Geo	27	13-0007	Playing cards	77
12-0961	XT11 Display unit for Generation XT	40	13-0012	A5 Notes	77
12-0963	Shaft bracket with chain and rods	50	13-0013	Keychain with spirit level	77
12-0966	System XT440 without display unit	26			
12-0967	System XT440 with display unit XT11	26			
12-0972	Carrying case Small for system XT440	69			
12-0973	Carrying case Medium for system XT440/XT660	69			
12-0987	Rods, 120 mm [4.72"], 4 pcs	53			
12-0988	Bar bracket	59			
12-0989	DC split cable for charging	66			
12-0990	Adjustable magnet for offset hub arms	57			
12-0992	Replaced by 12-1017	50			
12-1008	Offset bracket	52			
12-1010	Sliding bracket	52			
12-1011	Replaced by 12-1147	50			
12-1012	Thin chain bracket	51			
12-1017	Magnetic brackets and rods, kit	50			

Note: New products in rev20 marked with **Bold** letters.

A series of horizontal dashed lines for taking notes, filling most of the page.

Easy-Laser® is manufactured by Easy-Laser AB, Alfagatan 6, SE-431 49 Mölndal, Sweden
Tel +46 31 708 63 00, Fax +46 31 708 63 50, e-mail: info@easylaser.com, www.easylaser.com
© 2020 Easy-Laser AB. We reserve the right to make changes without prior notification.
Easy-Laser® is a registered trademark of Easy-Laser AB. Android, Google Play, and the Google Play logo are trademarks of Google Inc. Apple, the Apple logo, iPhone, and iPod touch are trademarks of Apple Inc., registered in the U.S. and other countries. App Store is a service mark of Apple Inc. Other trademarks belong to their respective owners.

