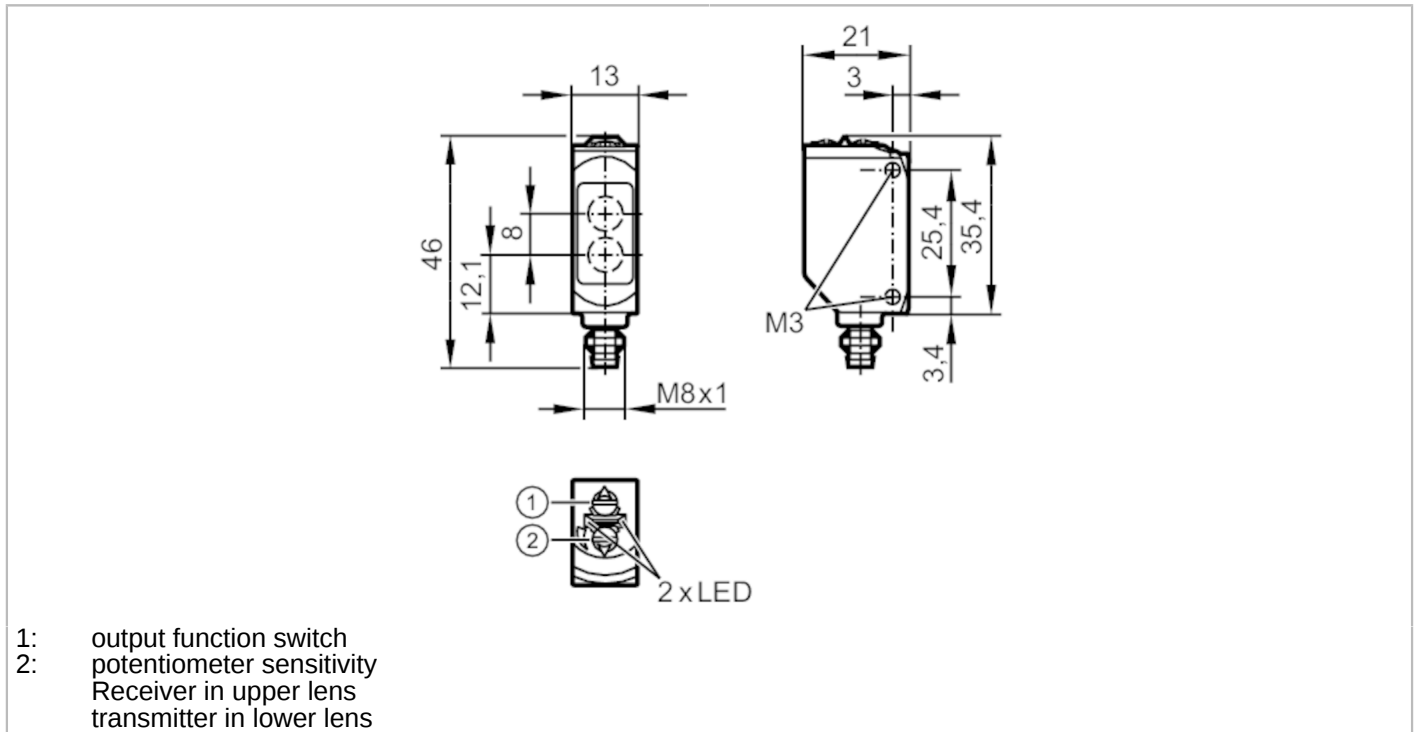


O6P207



Retro-reflective sensor

O6P-FNKG/AS/4P




Product characteristics	
Type of light	red light
Housing	rectangular
Application	
System	polarization filter
Function principle	Retro-reflective sensor
Electrical data	
Operating voltage [V]	10...30 DC
Current consumption [mA]	12; ((24 V))
Protection class	III
Reverse polarity protection	yes
Type of light	red light
Wave length [nm]	633
Outputs	
Electrical design	NPN
Output function	light-on/dark-on mode; (selectable)
Max. voltage drop switching output DC [V]	2.5
Permanent current rating of switching output DC [mA]	100
Switching frequency DC [Hz]	1000
Short-circuit protection	yes
Type of short-circuit protection	yes (non-latching)

O6P207



Retro-reflective sensor

O6P-FNKG/AS/4P

Monitoring range		
Range referred to prismatic reflector [m]	0.05...5; (Prismatic reflector Ø 80 E20005)	
Range adjustable	yes	
Max. light spot diameter [mm]	150	
Light spot dimensions refer to	at maximum range	
Polarization filter available	yes	
Operating conditions		
Ambient temperature [°C]	-25...60	
Storage temperature [°C]	-40...70	
Max. relative air humidity [%]	50; (70° C)	
Protection	IP 65; IP 67	
Tests / approvals		
EMC	EN 60947-5-2	
MTTF [years]	895	
UL approval	UL approval number	E001
Mechanical data		
Weight [g]	18.5	
Housing	rectangular	
Dimensions [mm]	46 x 13 x 21	
Material	housing: ABS; PPSU	
Lens material	PMMA	
Lens alignment	Side sensing	
Sealing material	EPDM	
Tightening torque [Nm]	0.5	
Displays / operating elements		
Display	Switching status	1 x LED, yellow
	Power	1 x LED, green
Remarks		
Remarks	cULus - Class 2 source required	
Pack quantity	1 pcs.	
Electrical connection		
Connector: 1 x M8; coding: A; Locking: brass, coated; sealing: EPDM		
		



Retro-reflective sensor

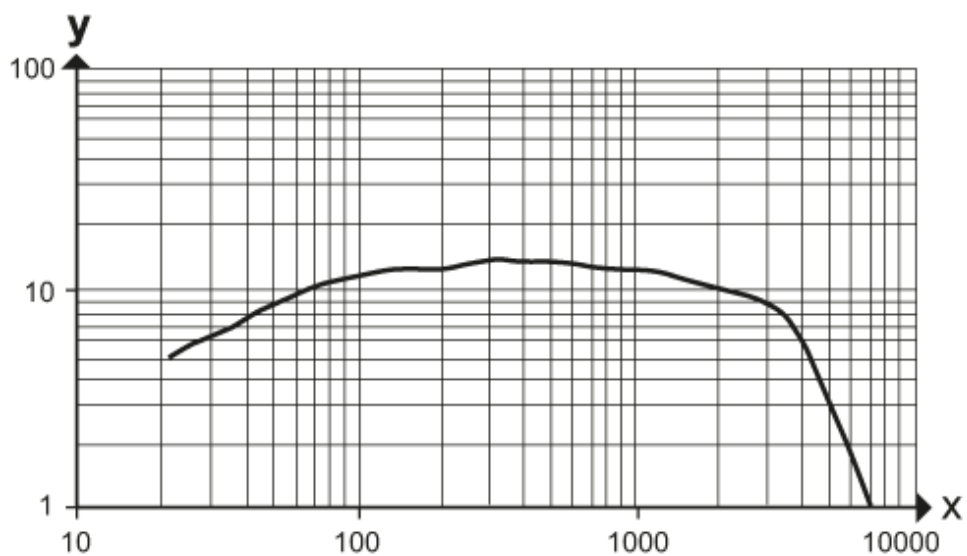
O6P-FNKG/AS/4P

Connection



Diagrams and graphs

excess gain graph



x: distance [mm]

y: excess gain factor