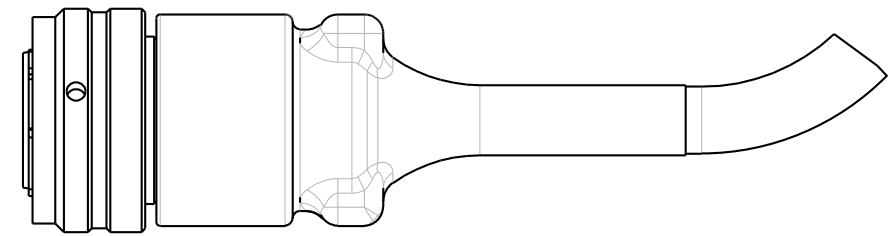
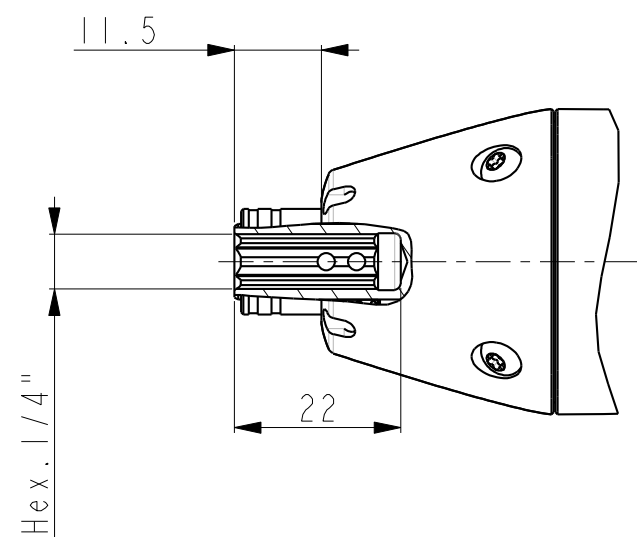
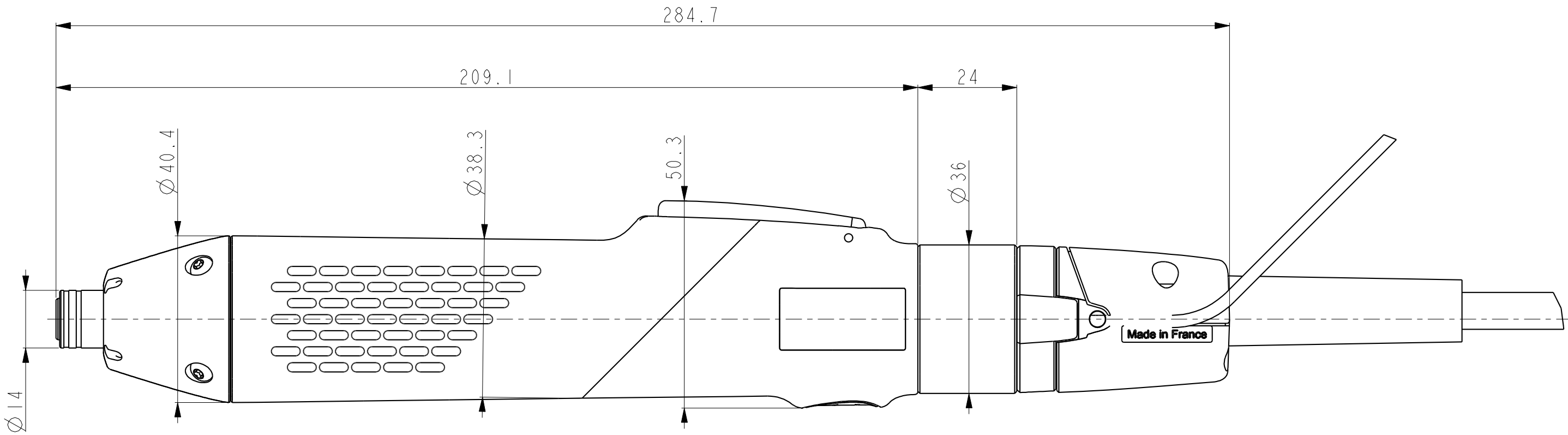


| | | | | | |
|--------------|------------|-----------------------|------------------------|----------|------|
| Model Name | 6159750750 | Model Release Level | Design or Modification | Rev. Ver | 02.0 |
| Drawing name | 6159750750 | Drawing Release Level | Design or Modification | Rev. Ver | 02.0 |



This document is our property and shall not without our permission be altered, copied, used for manufacturing or communicated to any other person or company. Do not get any dimensions directly from the drawing.

| MOD.NO | RFS/ECN | POS. | MODIFICATION DETAILS | DATE | INIT. |
|--------|---------|------|------------------------|----------|-------|
| 02 | - | - | Update | 06/02/09 | SD |
| 01 | - | - | Release for Production | 19/01/09 | GA |

| | |
|------------------|--|
| POP DOCUMENT | Only for POP Generic (If 1 POP exists for several drawings) |
| RELATED DRAWINGS | |

| | | | | | |
|---|--|------------------------|--|-------------------|--------------------|
| | | | | | |
| DESCRIPTION | | | | | |
| Outline ECS | | | | | |
| | | | | | WEIGHT 0.000 Kg |
| | | | | | SCALE 1.000 |
| | | | | | DRG.SIZE A3 |
| DRAWN BY GA | | DATE 19/01/09 | | PROTO DRG. -- | |
| MODEL NAME 6159750750 | | PROJECT No. 580-ECS | | DRG.No | |
| PART REVISION 02 | | PART VERSION 0+ | | DRG. REV 02 | |
| RELEASE LEVEL Design or Modification | | | | SHEET : (1 / 1) | |
| 6159750750 | | | | | |

RDM005#B

G